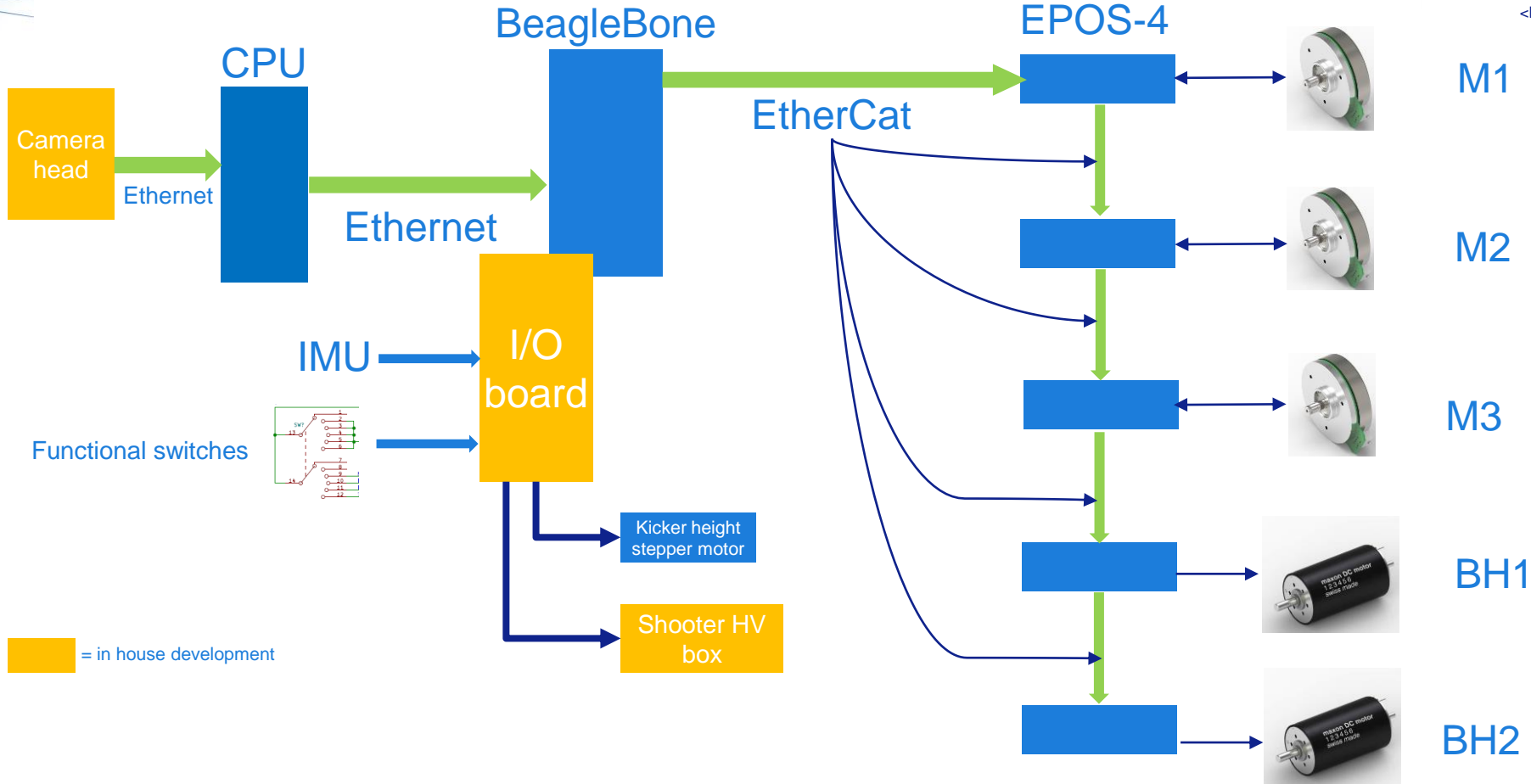


# Motion electronics, functional block diagram



M1

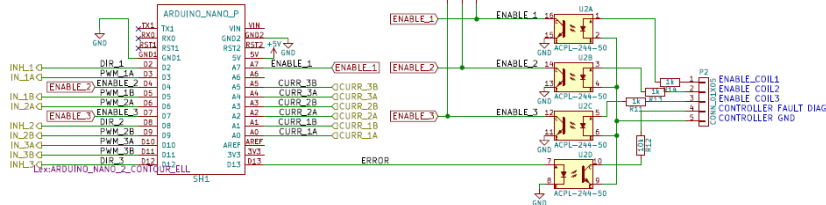
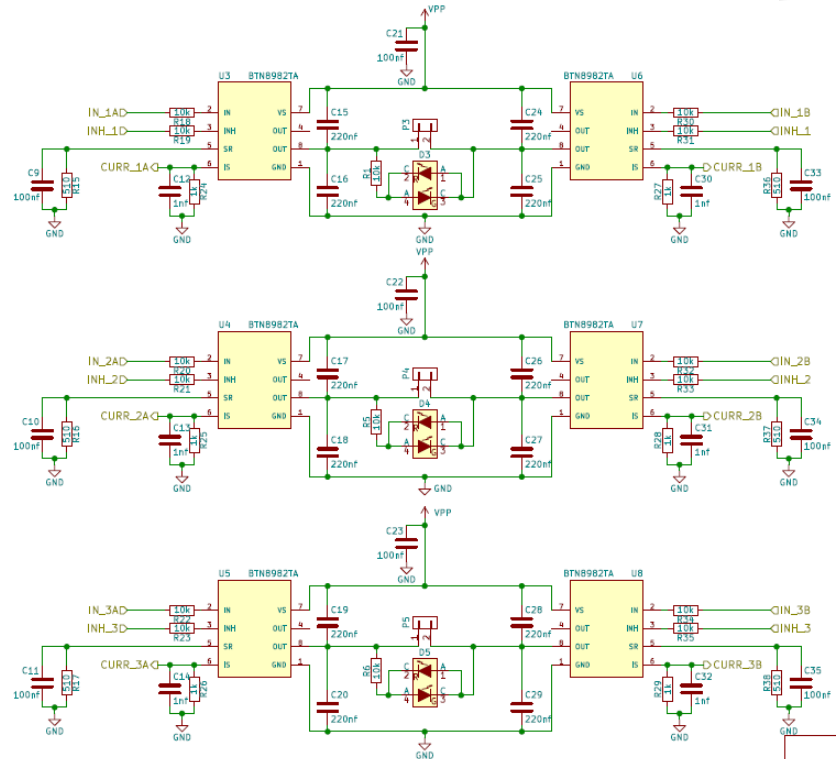
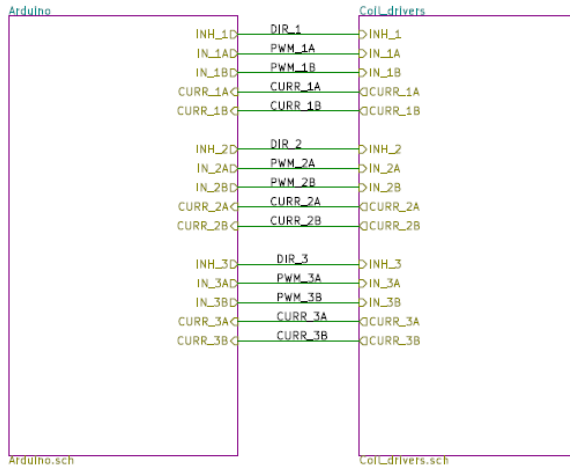
M2

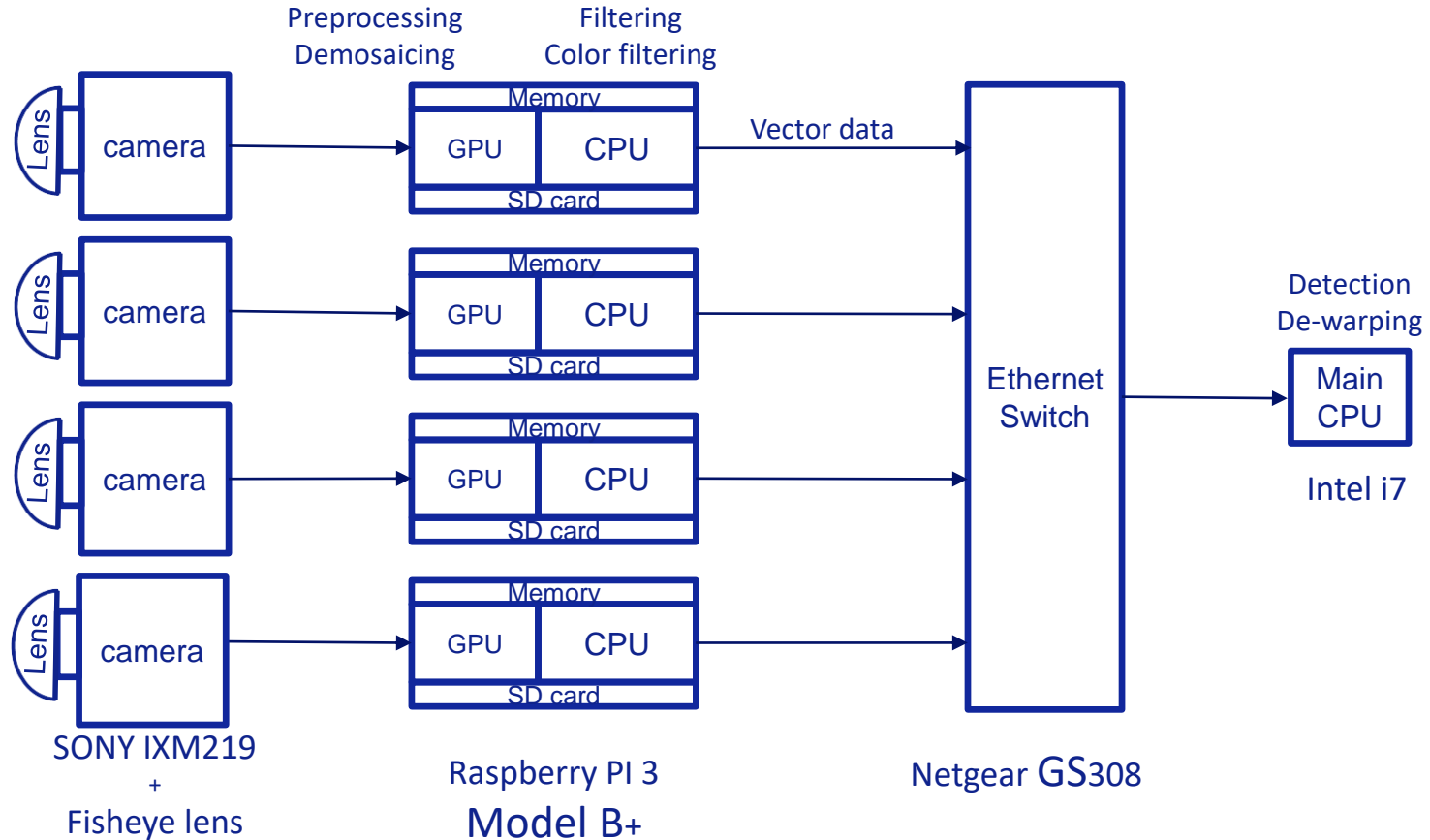
M3

BH1

BH2

# New electronics for Keeper frame





# Electrical diagram

