

Vision System



WiFi module



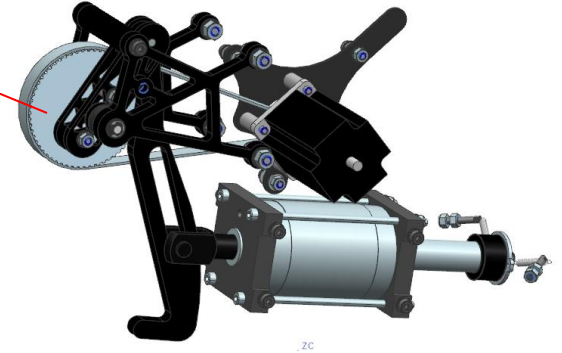
CPU



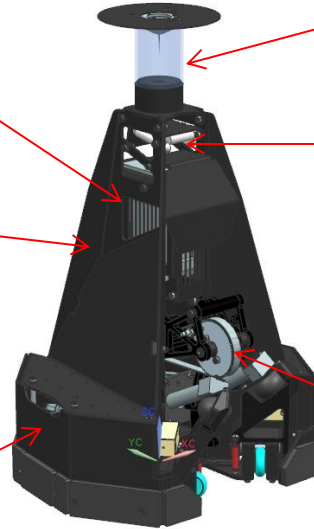
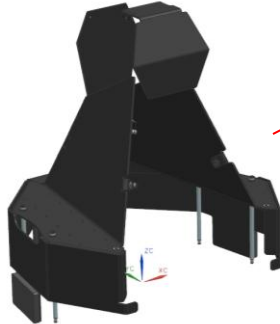
Mechanical structure



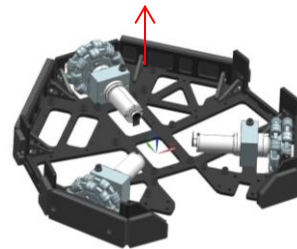
Shooting mechanism

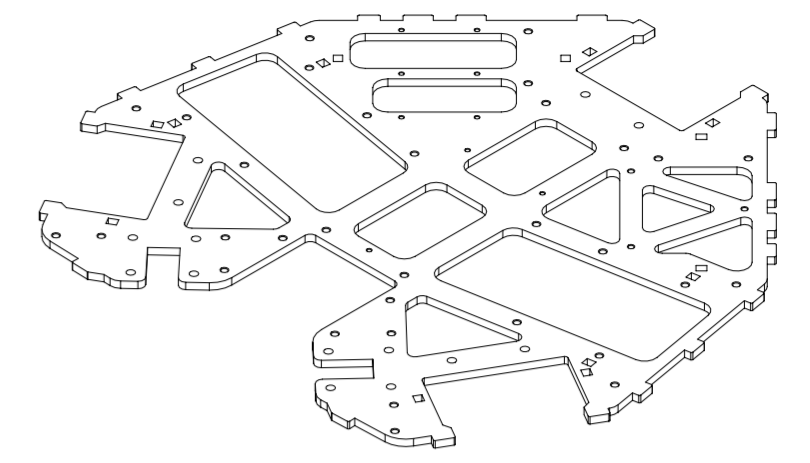
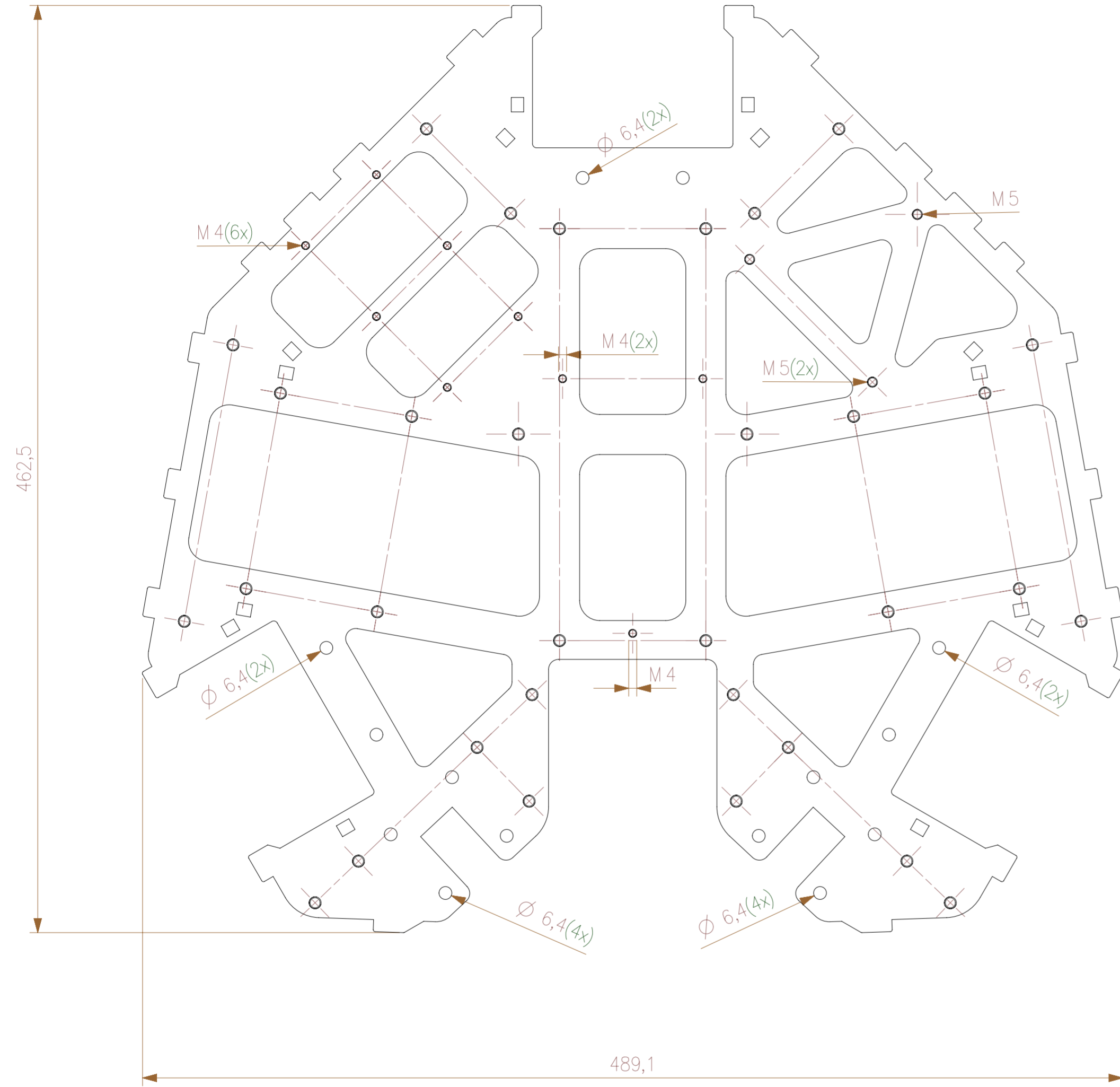


Covers



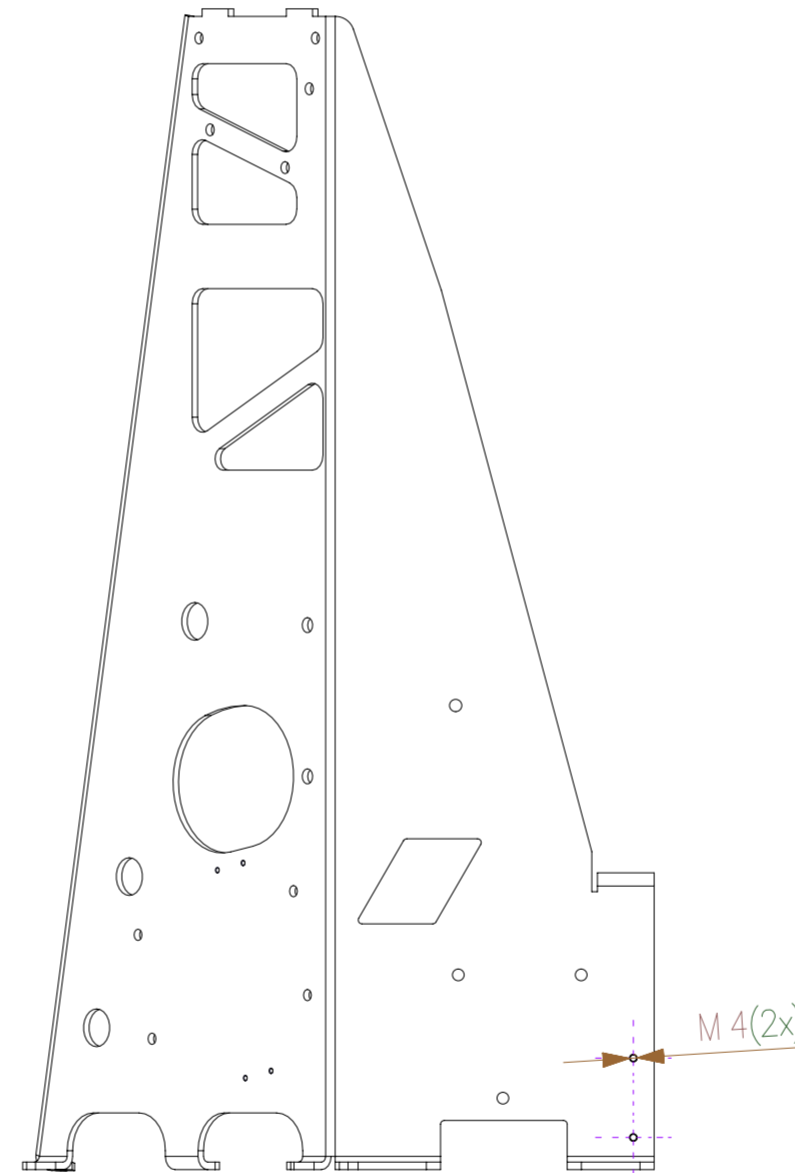
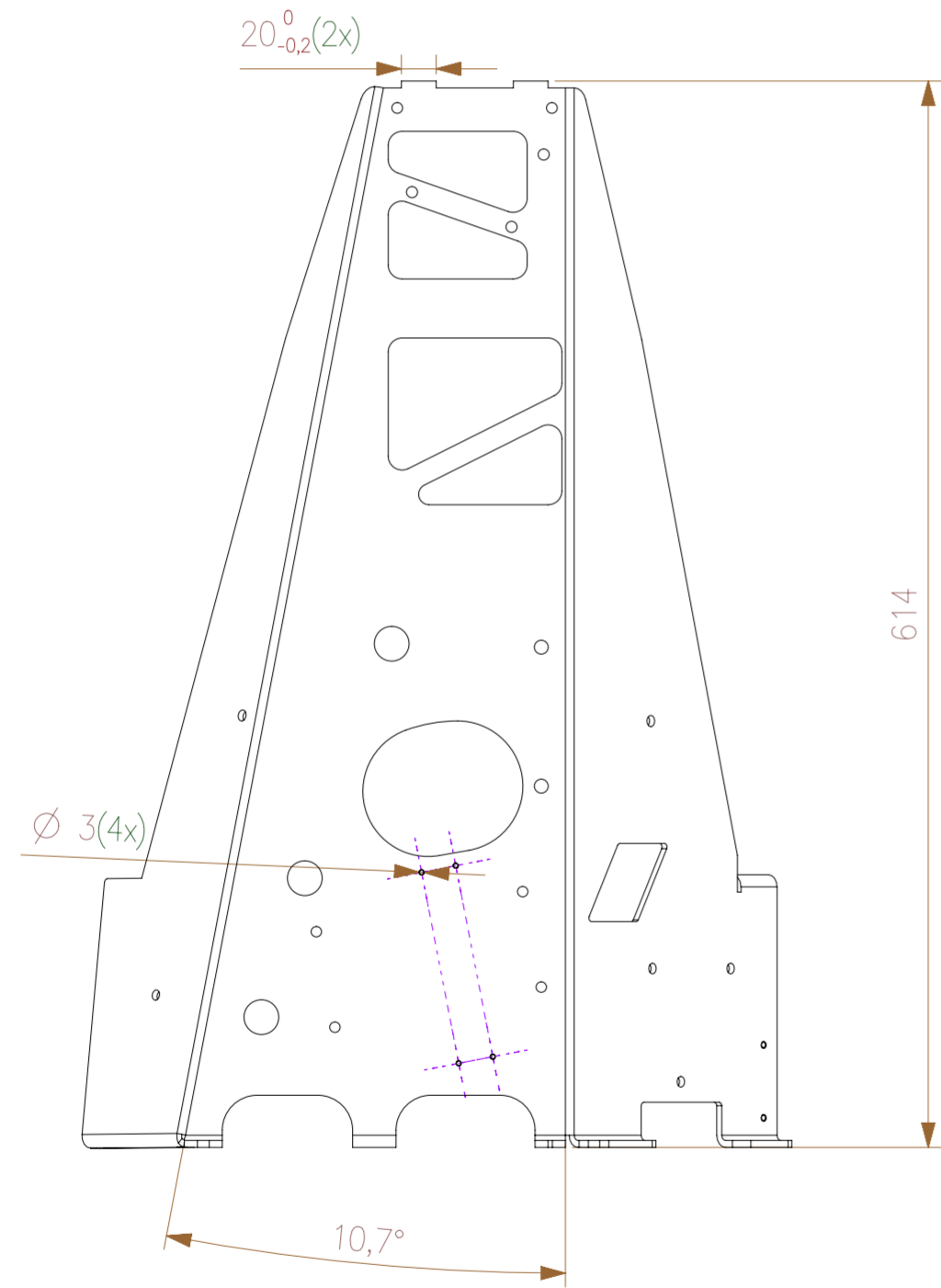
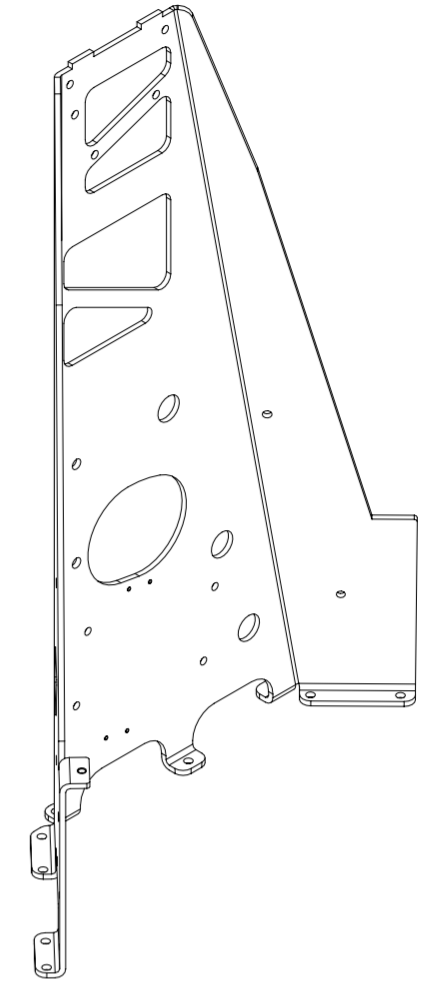
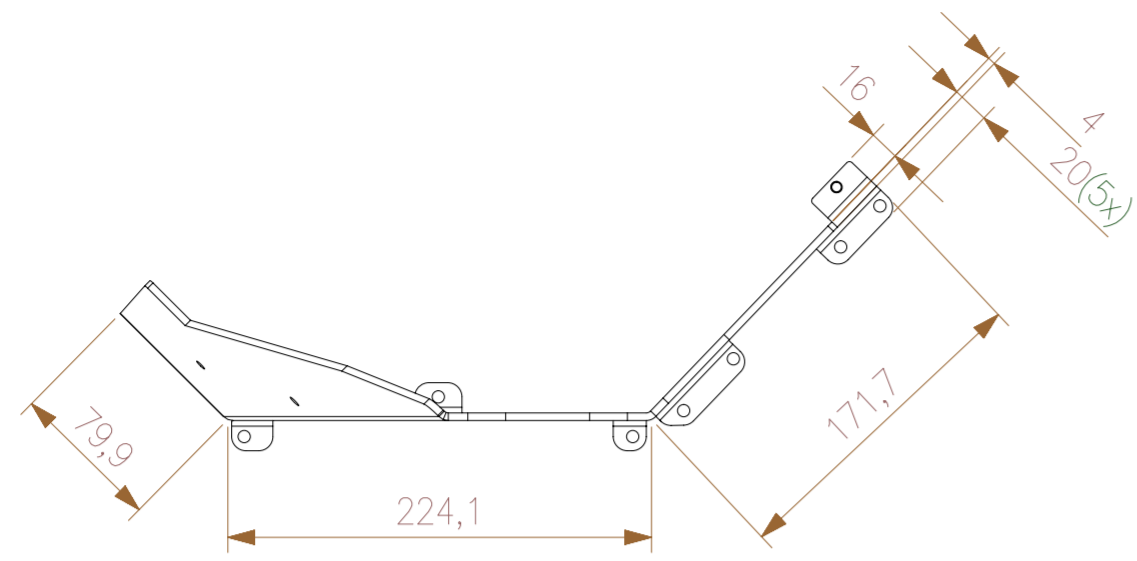
Driving motors



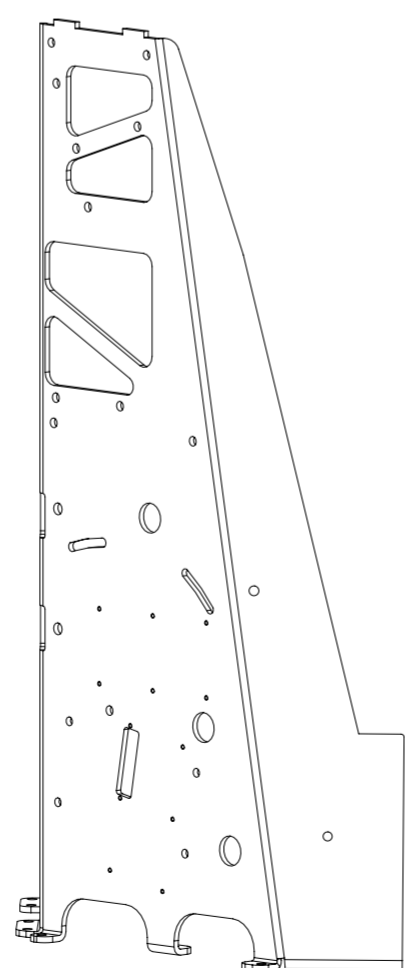
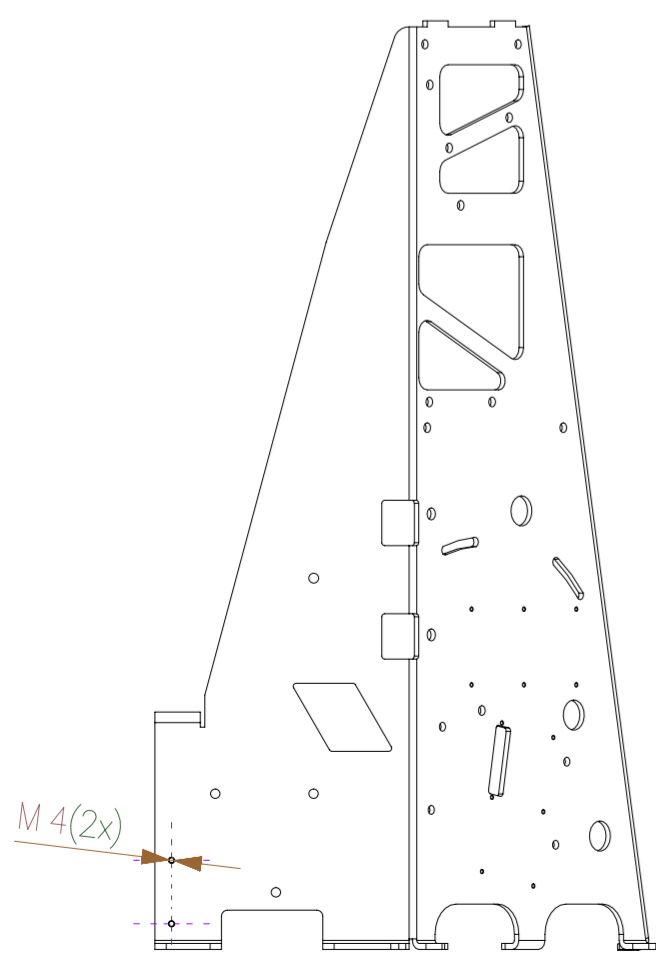
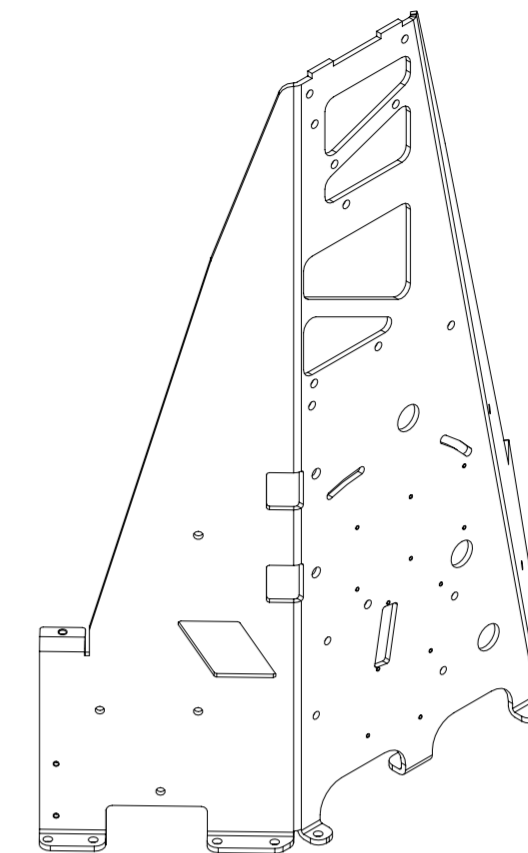
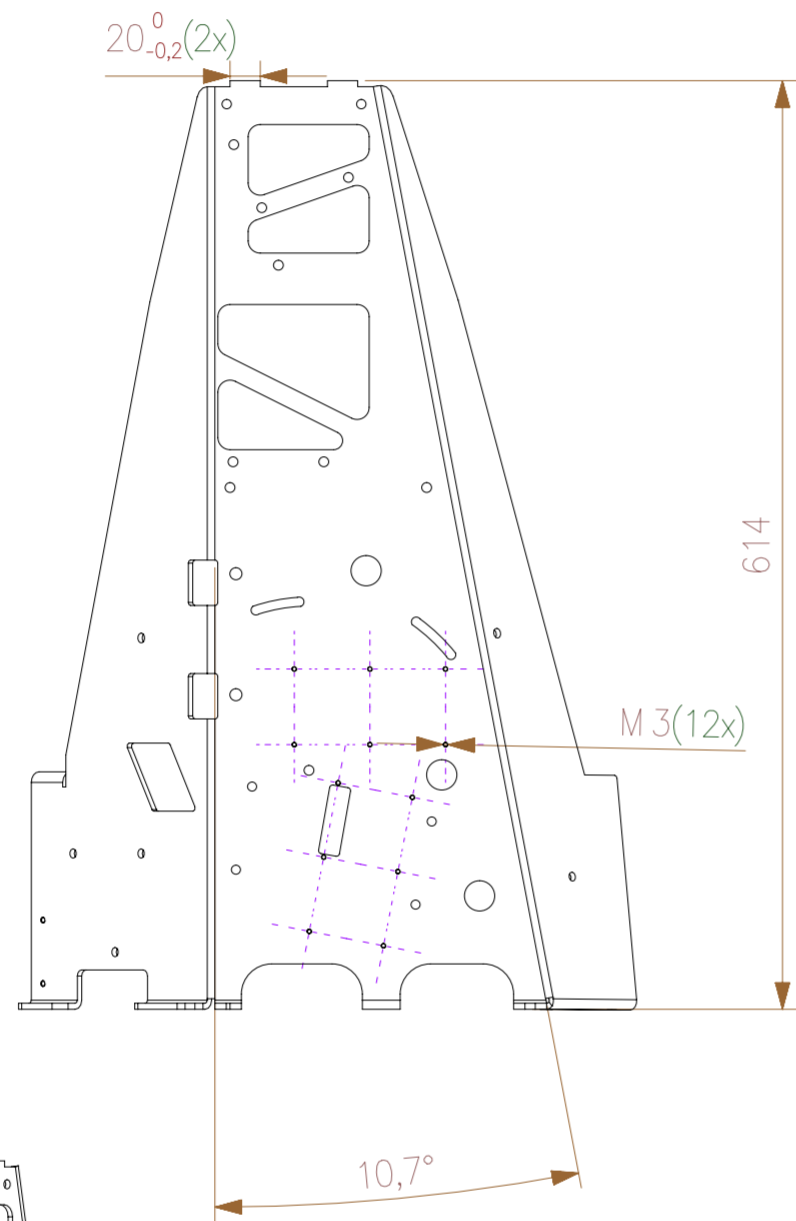
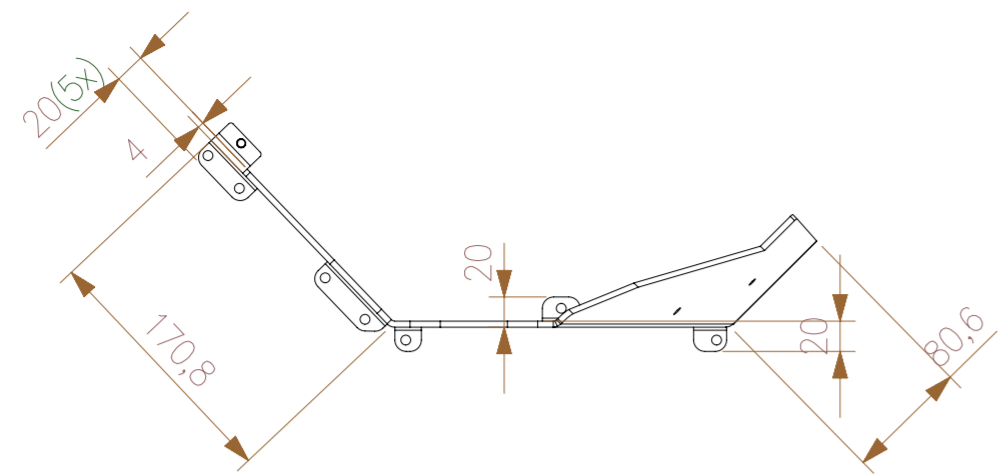


If hole size not indicated M6

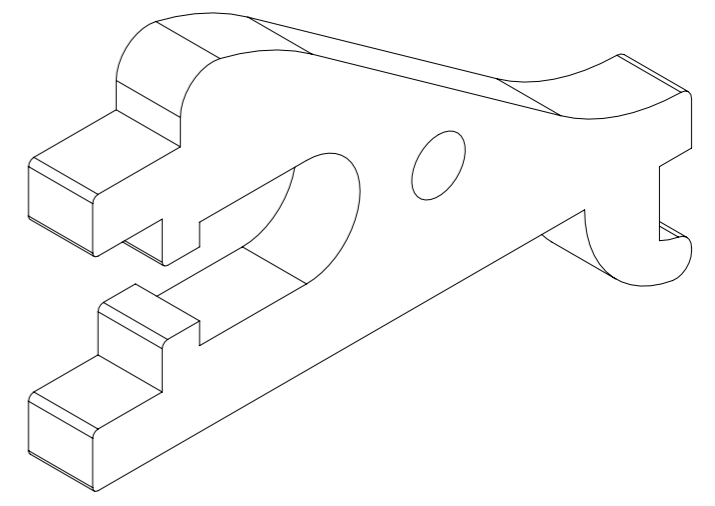
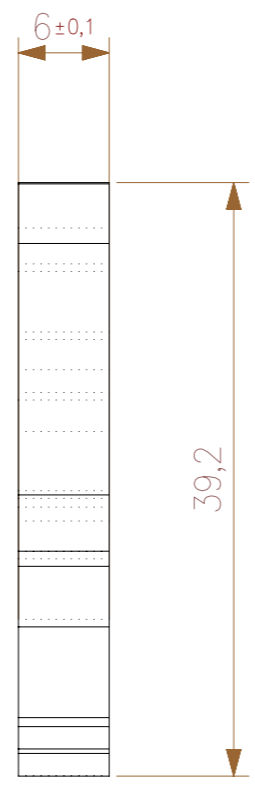
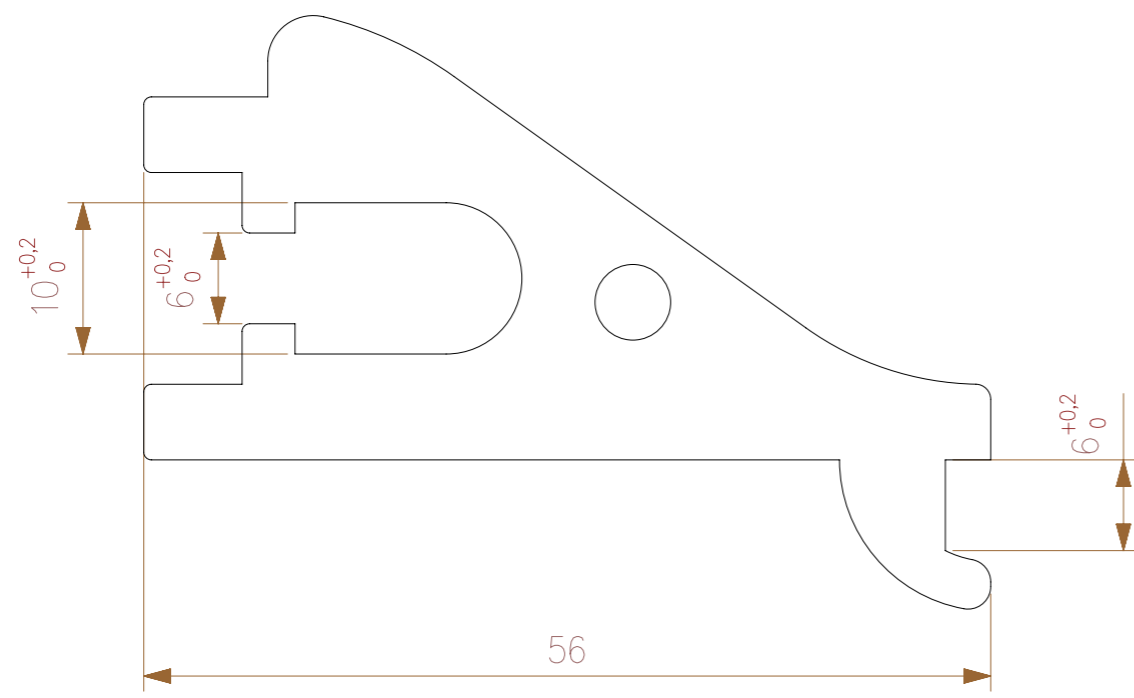
Material: S420MC	Dimension:	0,5 thru 3	3 thru 6	6 thru 30	30 thru 120	120 thru 400	400 thru 1000
Treatment: Black	Tolerance:	±0,1	±0,1	±0,2	±0,3	±0,5	±0,8
GENERAL TOLERANCES according to ISO 2768-mH		General Roughness: 12.5		Scale: 1:2		Unit: mm	
Drawn: ACE		Approved: -		Date: 14-11-2013		Date: -	
Description: Base		Status: -		Version: 1		Date: 14-11-2013	
Document ID: -		Drawing nr: 5KTA02.001		Sheet: 1 of 1		Size: A2	



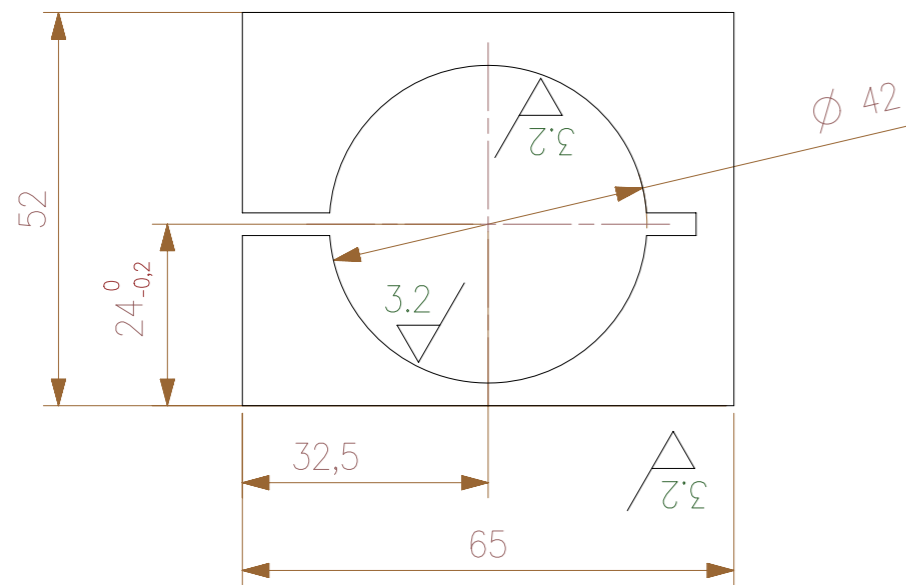
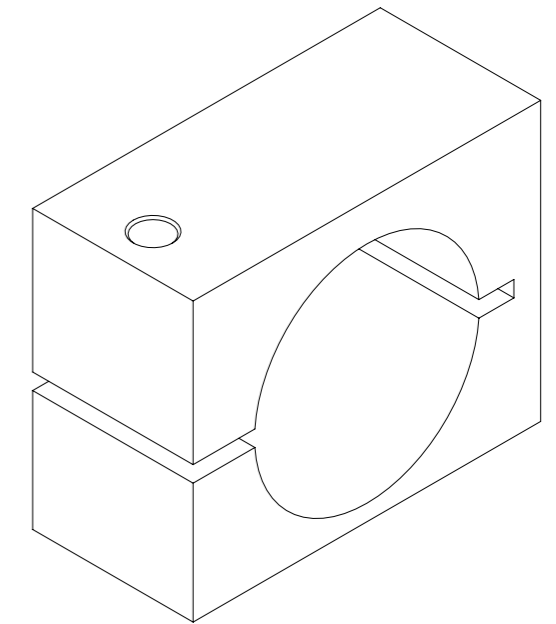
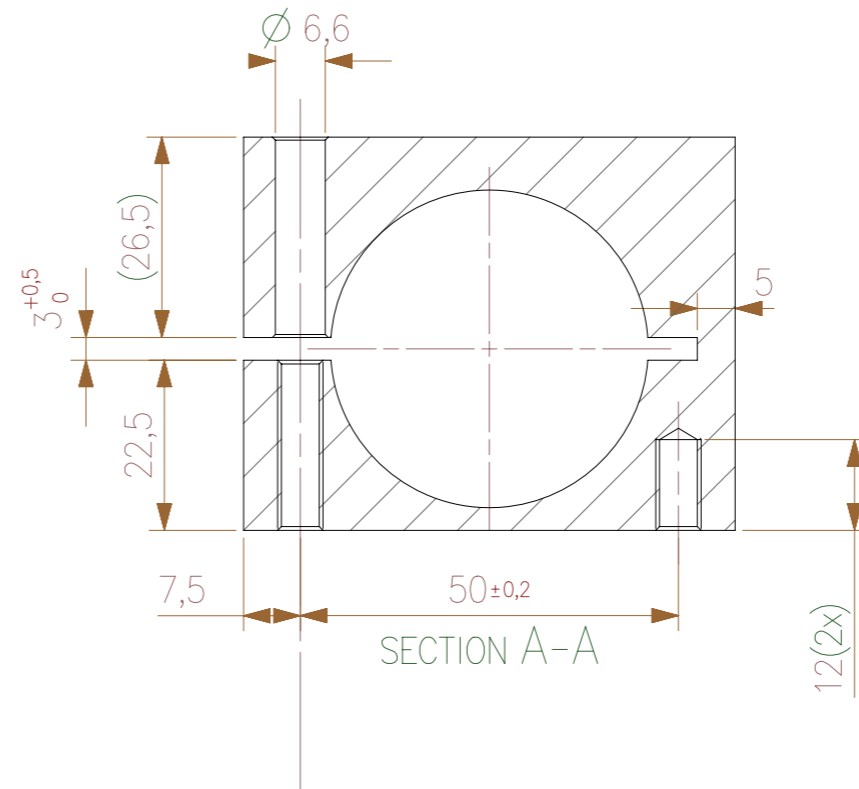
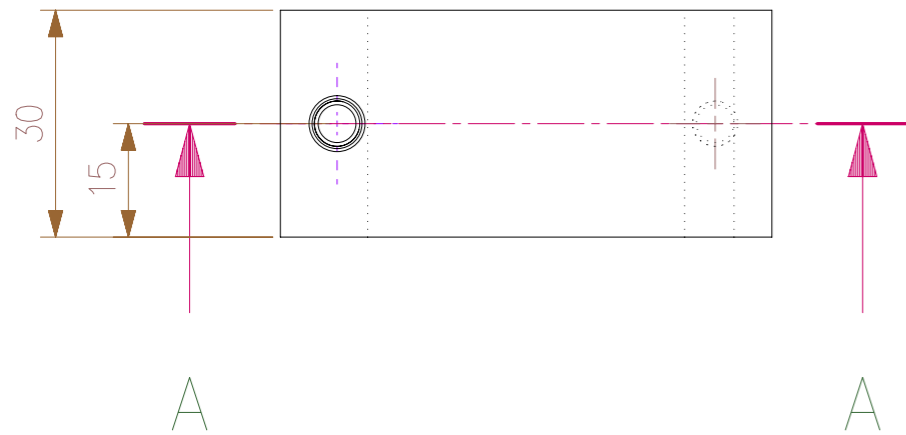
Material: Aluminum	Dimension:	0,5 thru 3	3 thru 6	6 thru 30	30 thru 120	120 thru 400	400 thru 1000
	Tolerance:	±0,1	±0,1	±0,2	±0,3	±0,5	±0,8
Treatment: Black anodized	GENERAL TOLERANCES according to ISO 2768-mH						
	General Roughness: 12,5	Scale: 1:5		Unit: mm			
Description: Top structure left	Drawn: ACE	Date: 29-11-2013					Date: -
	Approved: -	Date: -					Date: 29-11-2013
Document ID: -	Status: -	Version: 1		Date: 29-11-2013			
	Drawing nr: 5KTA02.002						
Sheet: 1 of 1		Size: A2					



Material:	Aluminum					
Treatment:	Black anodized					
Dimension:	0.5 thru 3	3 thru 6	6 thru 30	30 thru 120	120 thru 400	400 thru 1000
Tolerance:	±0.1	±0.1	±0.2	±0.3	±0.5	±0.8
GENERAL TOLERANCES according to ISO 2768-mH						
General Roughness:	12.5					Scale: 1:5
Drawn:	ACE			Date: 28-11-2013		
Approved:	-			Date: -		
Description:	Top structure right			Status:	Version: 1	Date: 28-11-2013
Drawing nr:				5KTA02.003		
Document ID:	-		Sheet:	1 of 1		Size: A2



Material:	S420MC						
Treatment:	Black						
Dimension:	0.5 thru 3	3 thru 6	6 Thru 30	30 thru 120	120 thru 400	400 thru 1000	
Tolerance:	±0.1	±0.1	±0.2	±0.3	±0.5	±0.8	
GENERAL TOLERANCES according to ISO 2768-mH							
General Roughness:	12.5			Scale:	2:1		
Drawn:	ACE			Unit:	mm		
Approved:	-			Date:	14-11-2013		
Description:	Bumper mount			Status:	-	Date:	-
				Status:	-	Version:	1
Document ID:	-			Drawing nr:	5KTA02.004		
				Sheet:	1 of 1		
				Size:	A3		



Material: Aluminum	Dimension:	0.5 thru 3	3 thru 6	6 Thru 30	30 thru 120	120 thru 400	400 thru 1000	
	Tolerance:	±0.1	±0.1	±0.2	±0.3	±0.5	±0.8	
Treatment: -	GENERAL TOLERANCES according to ISO 2768-mH							
Description: Drive clamp	General Roughness:	12.5		Scale:	1:1			
	Drawn:	ACE		Unit:	mm			
Document ID: -	Approved:	-		Date:	28-11-2013			
	Status:	-		Version:	1		Date:	28-11-2013
	Drawing nr: 5KTA02.005							
	Sheet:	1 of 1		Size:	A3			

1

2

3

4

F

F

E

E

D

D

C

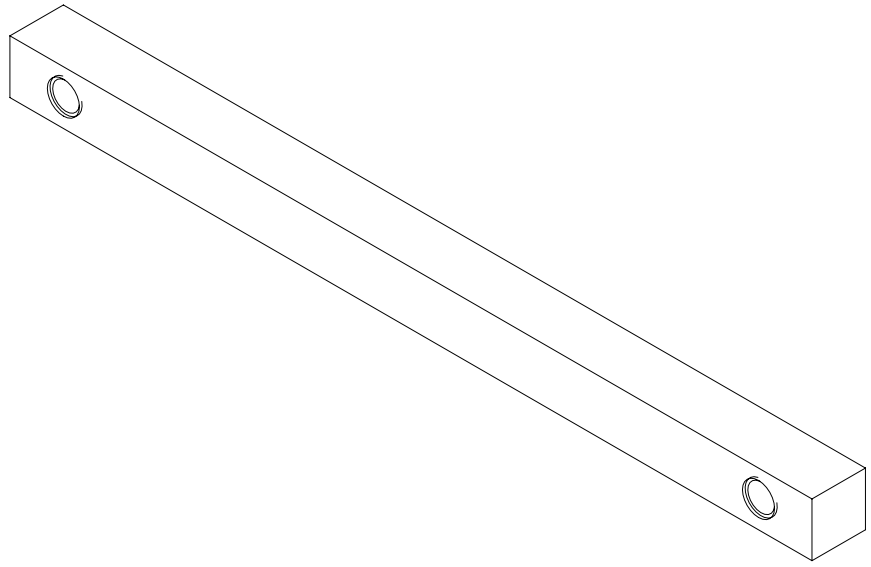
C

B

B

A

A



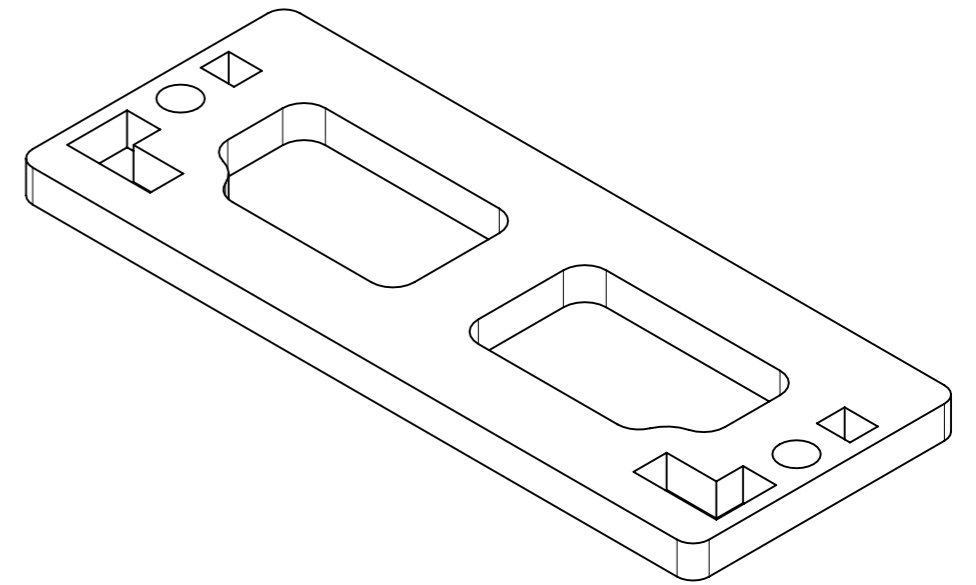
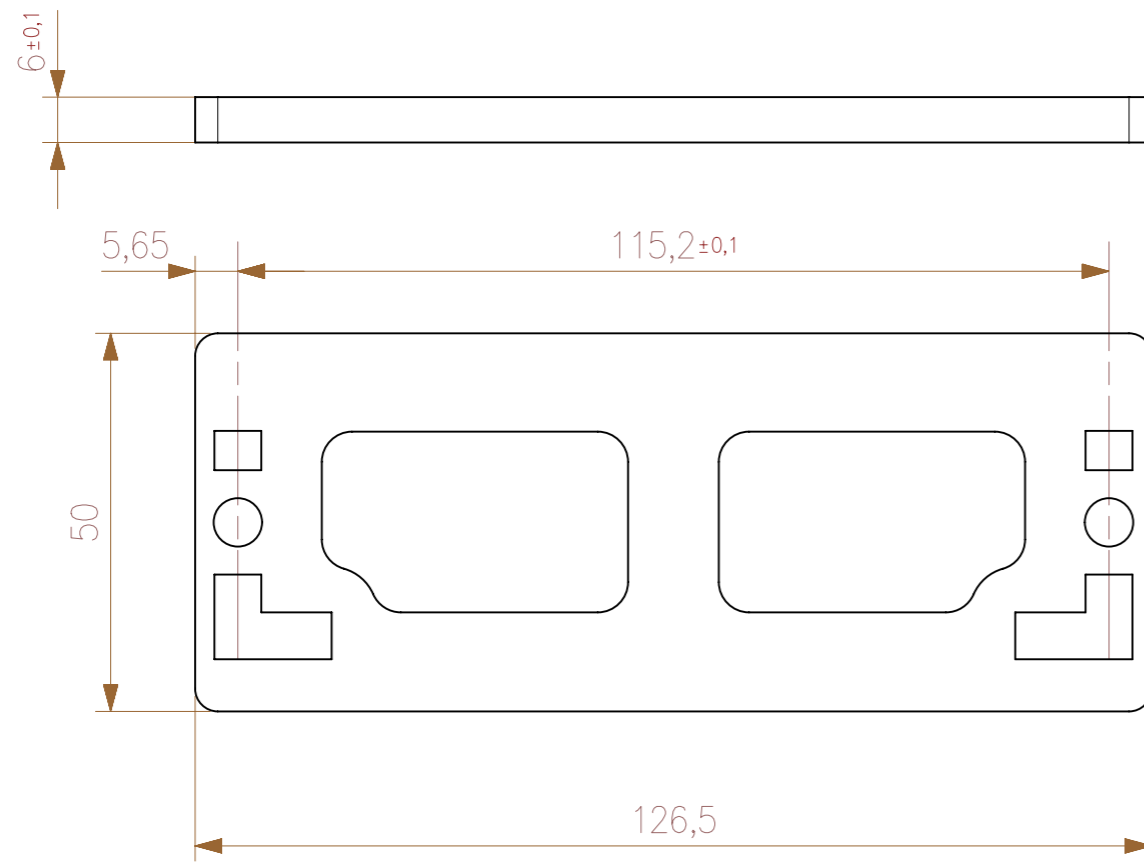
Material:	Aluminum	Dimension:	0.5 thru 3	3 thru 6	6 Thru 30	30 thru 120	120 thru 400	400 thru 1000	
	Treatment:	-	Tolerance:	±0.1	±0.1	±0.2	±0.3	±0.5	±0.8
			GENERAL TOLERANCES according to ISO 2768-mH						
Description:	CPU slide	General Roughness:	12.5			Scale:	1:1		
		Unit:	mm		Drawn:	ACE	Date:	28-11-2013	
Document ID:	-	Approved:	-				Date:	-	
		Status:	-		Version:	1	Date:	28-11-2013	
		Drawing nr:	5KTA02.008						
Sheet:	1 of 1		Size:	A4					

1

2

3

4



Material:	S420MC	Dimension:	0,5 thru 3	3 thru 6	6 Thru 30	30 thru 120	120 thru 400	400 thru 1000
Treatment:	Black	Tolerance:	$\pm 0,1$	$\pm 0,1$	$\pm 0,2$	$\pm 0,3$	$\pm 0,5$	$\pm 0,8$
		GENERAL TOLERANCES according to ISO 2768-mH						
		General Roughness:	12.5			Scale: 1:1		
		Drawn: ACE		Unit: mm				
		Approved: -		Date: 14-11-2013				
Description:		Status: -		Version: 1		Date: 27-11-2013		
		Drawing nr: 5KTA02.011						
Document ID:	-			Sheet: 1 of 1		Size: A3		

Back plate

5KTA02.011

1 2 3 4 5 6 7 8

F

F

E

E

D

D

C

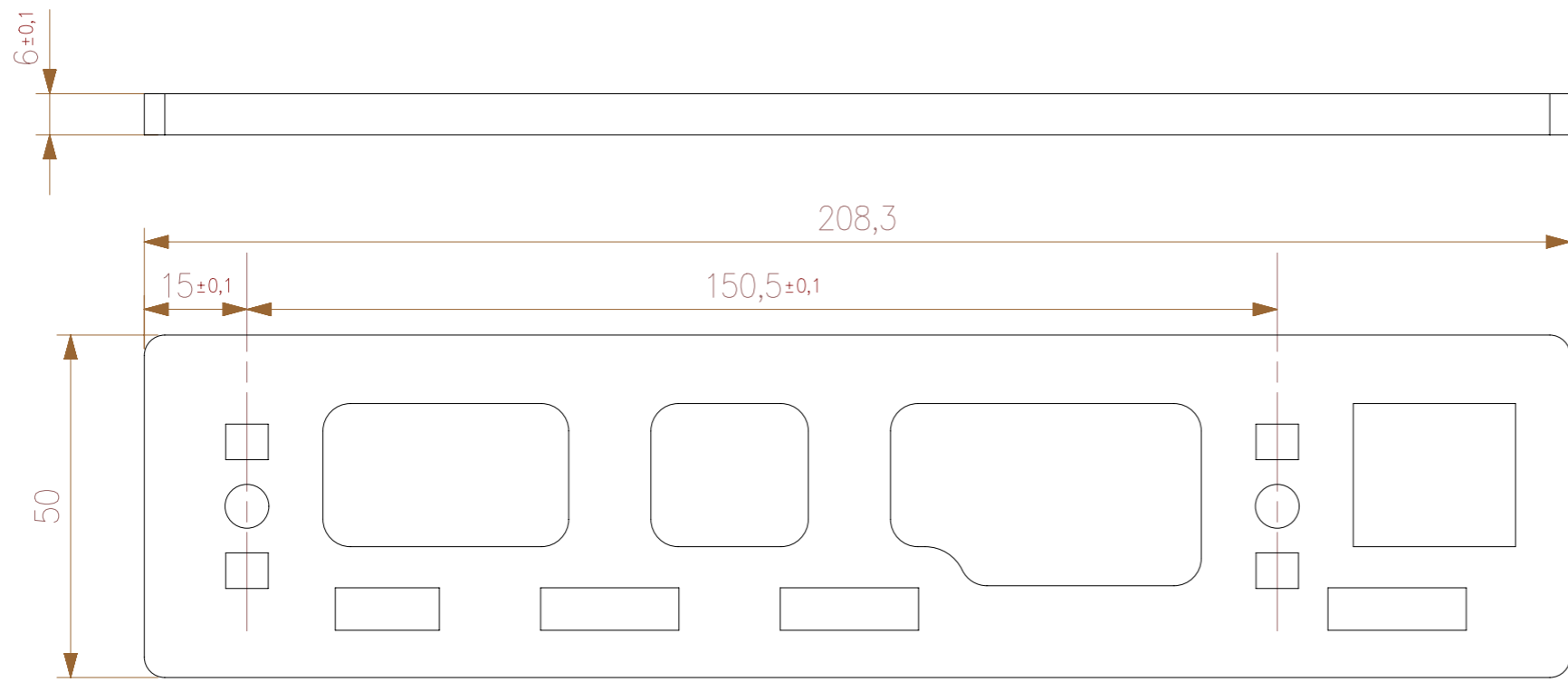
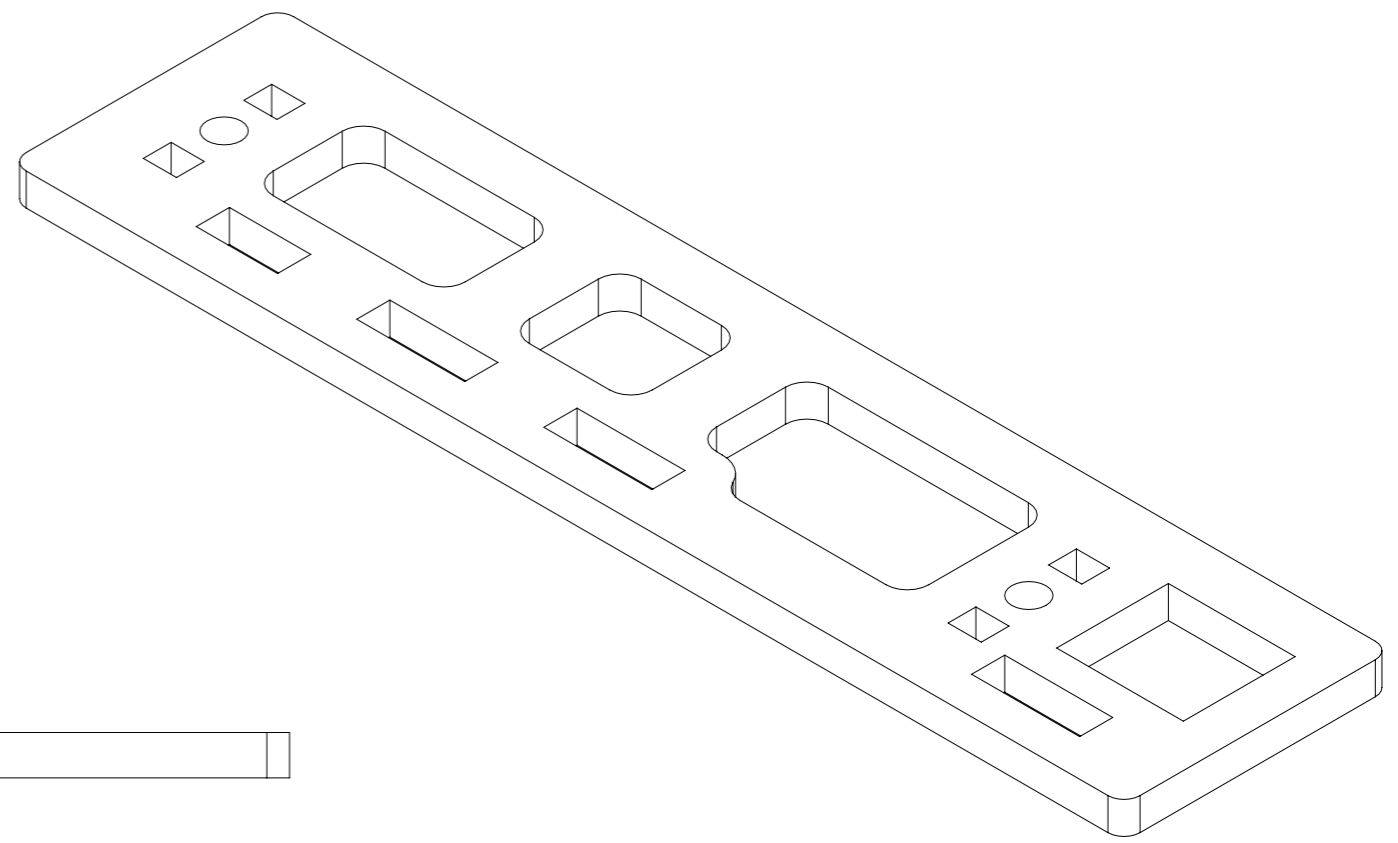
C

B

B

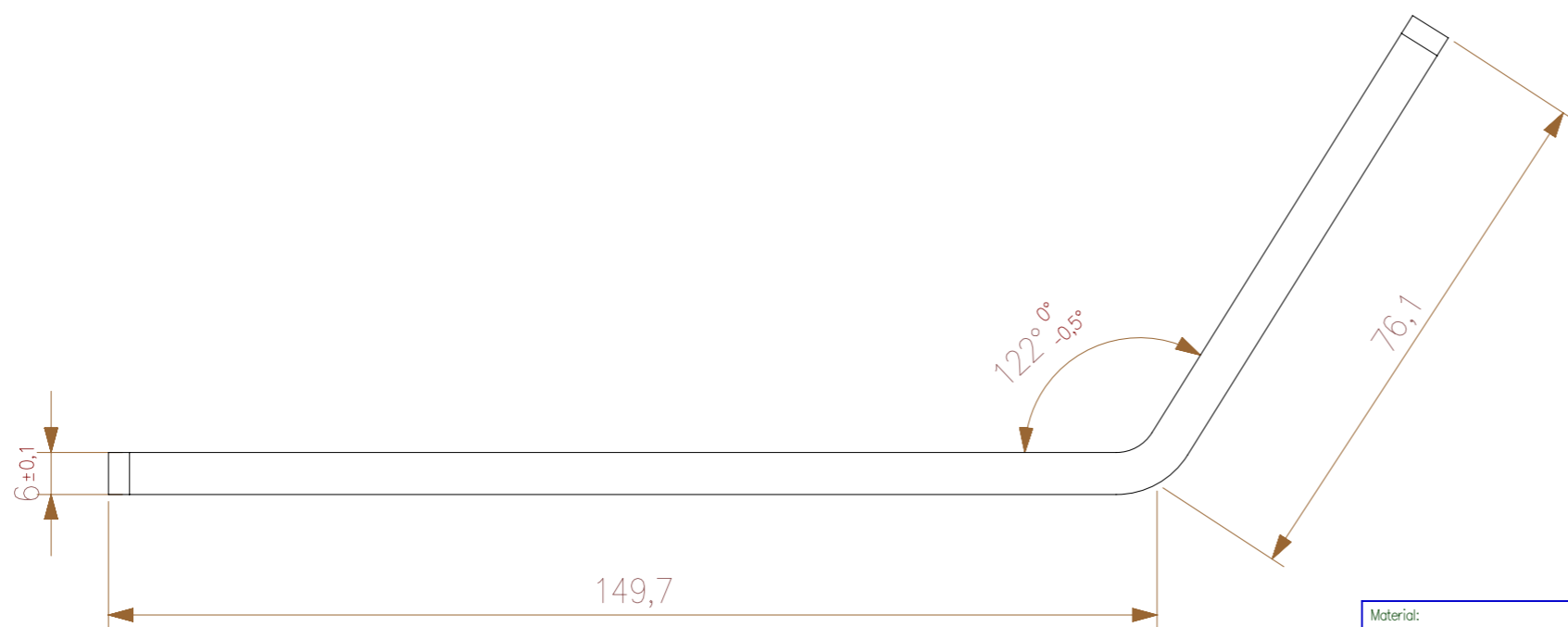
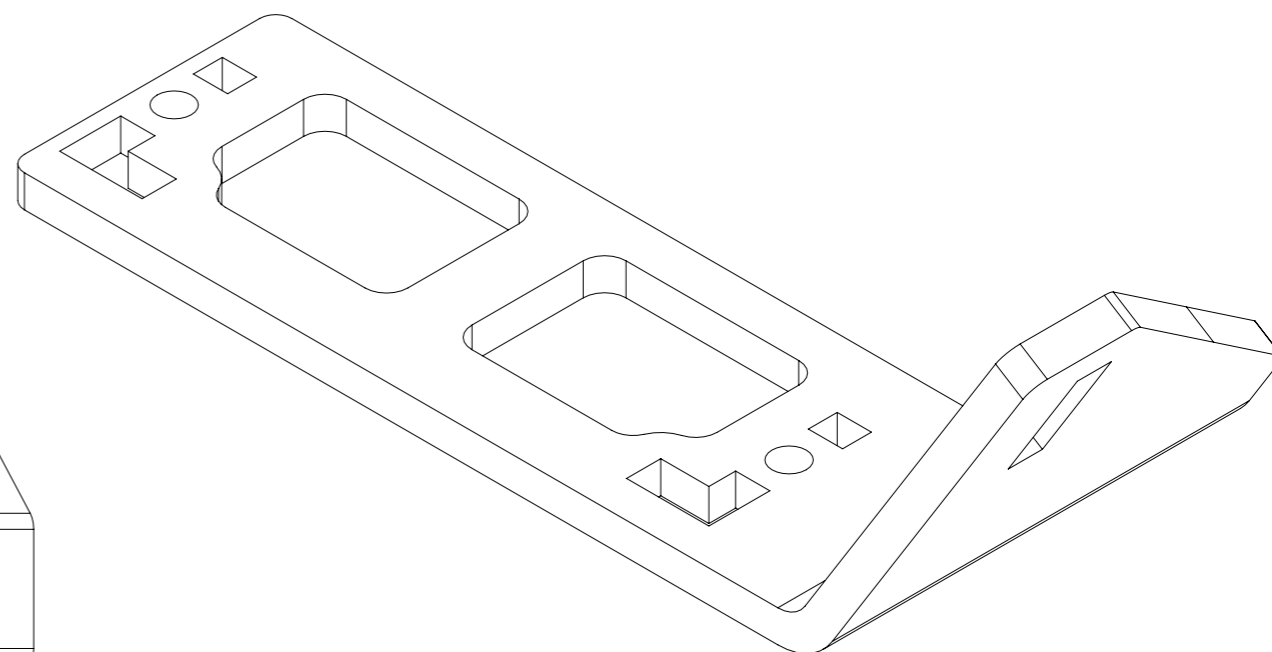
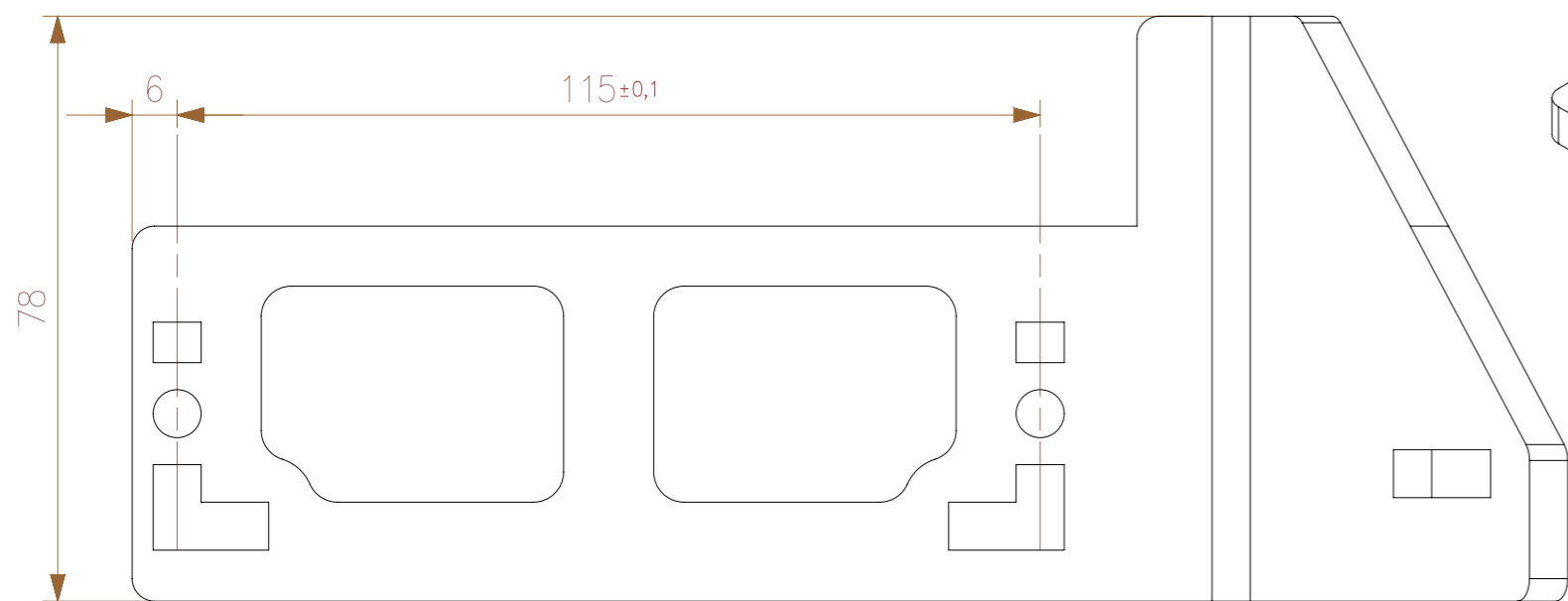
A

A

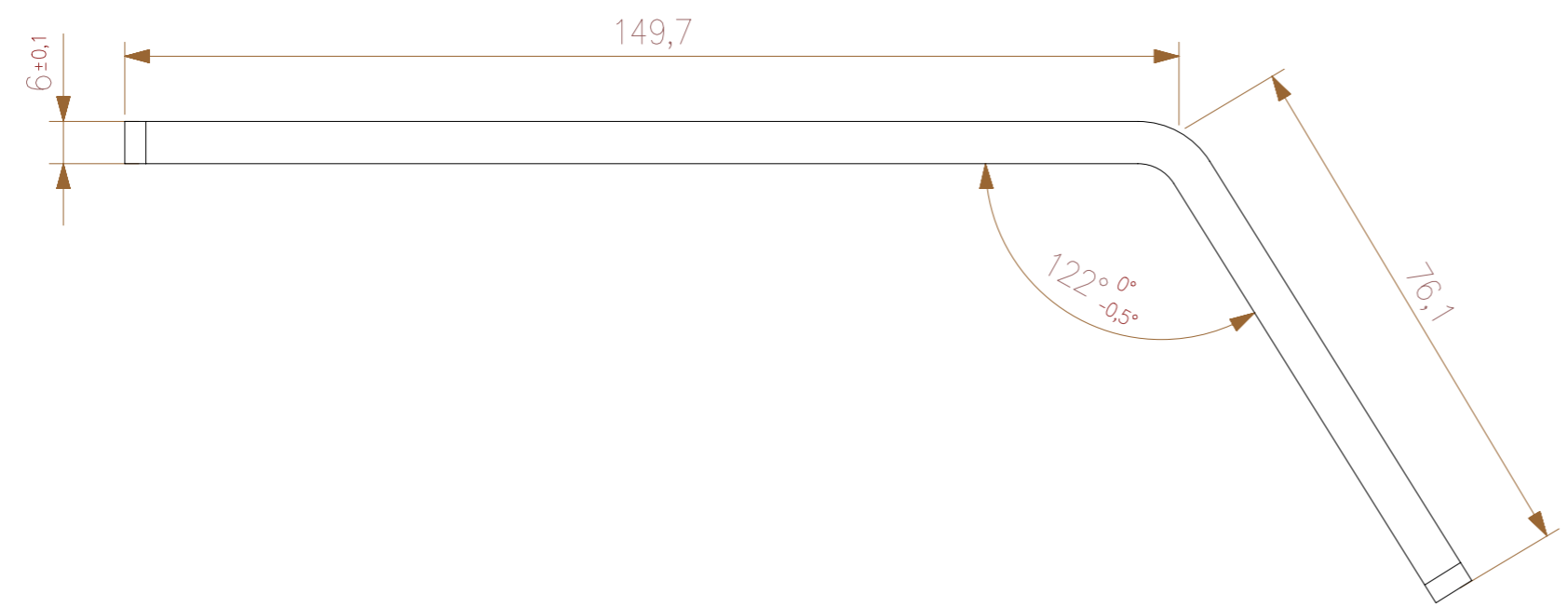
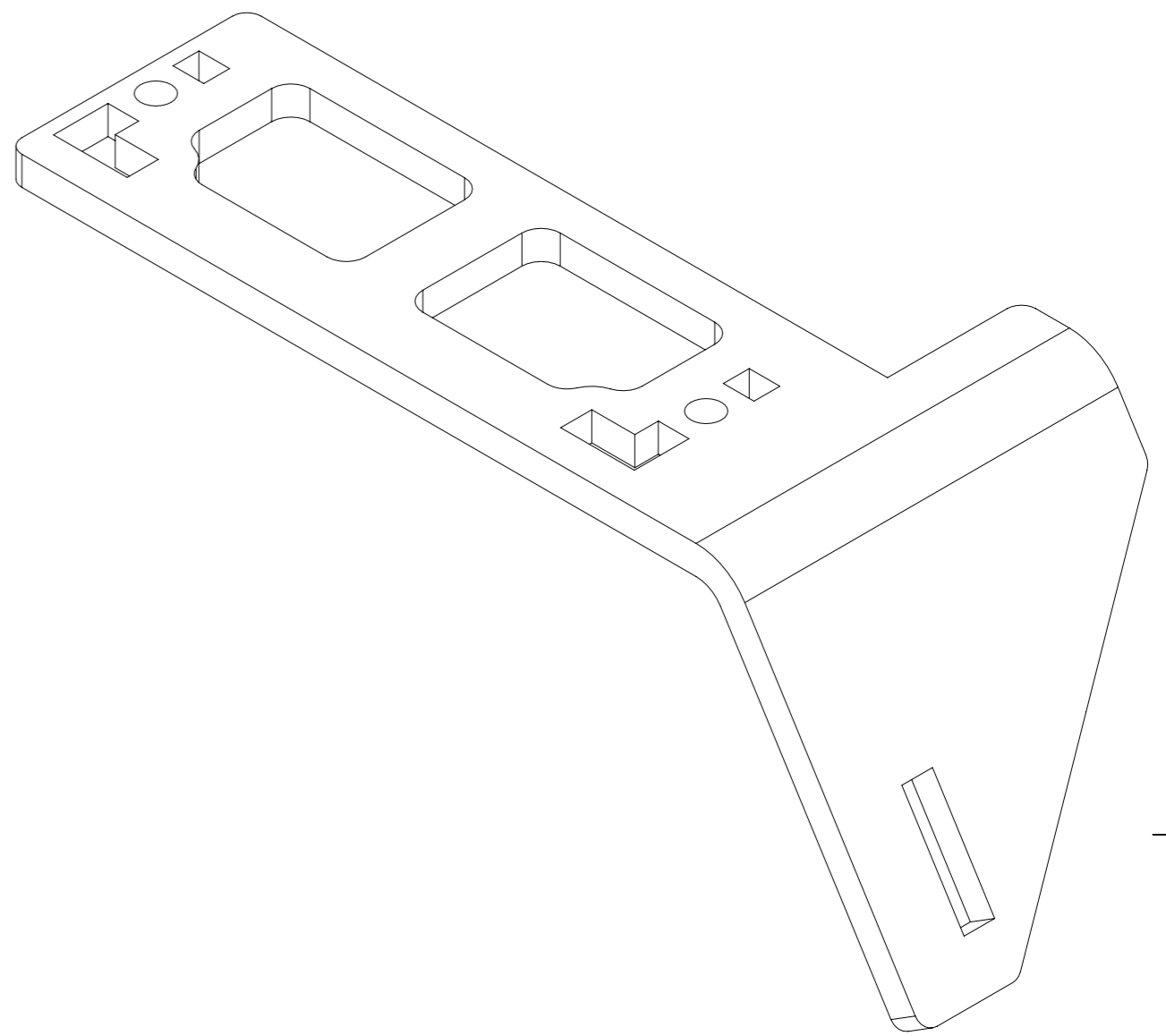
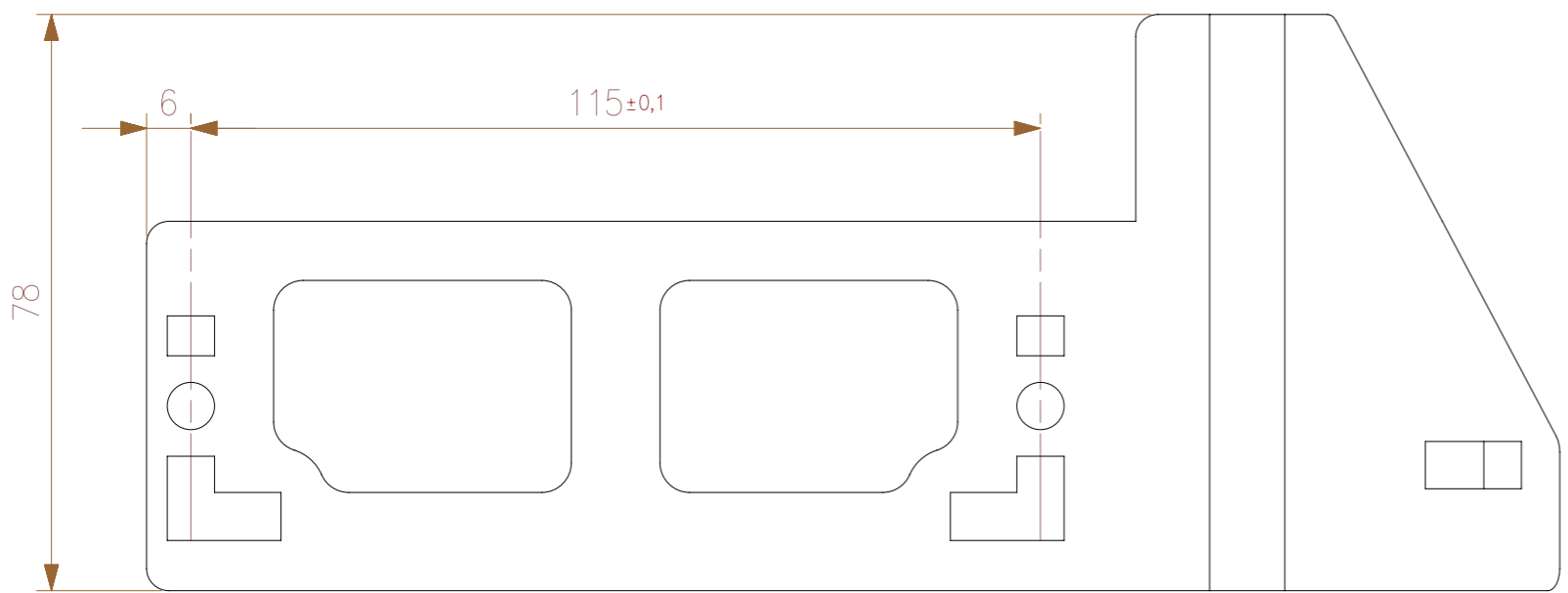


Material: S420MC	Dimension:	0,5 thru 3	3 thru 6	6 Thru 30	30 thru 120	120 thru 400	400 thru 1000
Treatment: Black	Tolerance:	±0.1	±0.1	±0.2	±0.3	±0.5	±0.8
GENERAL TOLERANCES according to ISO 2768-mH							
General Roughness: 12.5				Scale: 1:1			
Drawn: ACE		Unit: mm					
Approved: -		Date: 14-11-2013					
Description: Back side plate		Status: -		Version: 1		Date: 27-11-2013	
Document ID: -		Drawing nr: 5KTA02.012				Sheet: 1 of 1	
				Size: A3			

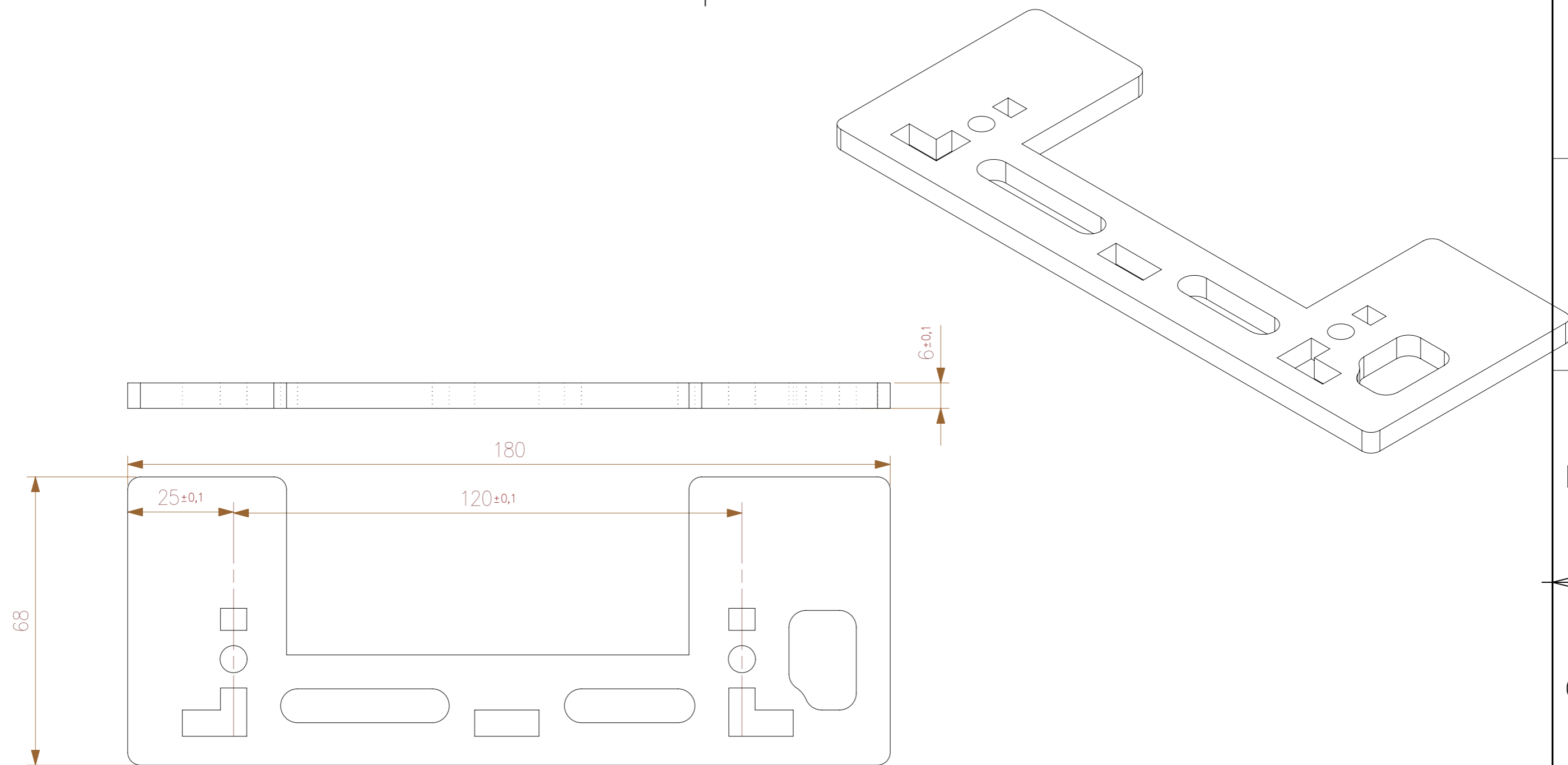
1 2 3 4 5 6 7 8



Material:	S420MC						
Treatment:	Black						
Dimension:	0,5 thru 3	3 thru 6	6 Thru 30	30 thru 120	120 thru 400	400 thru 1000	
Tolerance:	±0.1	±0.1	±0.2	±0.3	±0.5	±0.8	
GENERAL TOLERANCES according to ISO 2768-mH							
General Roughness:	12.5			Scale:	1:1		
Unit:	mm						
Drawn:	ACE			Date:	14-11-2013		
Approved:	-			Date:	-		
Status:	-		Version:	1		Date:	14-11-2013
Description:	Left plate						
Drawing nr:	5KTA02.013						
Document ID:	-		Sheet:	1 of 1		Size:	A3



Material:	S420MC						
Treatment:	Black						
Dimension:	0.5 thru 3	3 thru 6	6 Thru 30	30 thru 120	120 thru 400	400 thru 1000	
Tolerance:	±0.1	±0.1	±0.2	±0.3	±0.5	±0.8	
GENERAL TOLERANCES according to ISO 2768-mH							
General Roughness:	12.5			Scale:	1:1		
Drawn:	ACE			Unit:	mm		
Approved:	-			Date:	14-11-2013		
Description:	Right plate			Status:	-		
					Version:	1	
			Date:	14-11-2013			
			Drawing nr:	5KTA02.014			
Document ID:	-		Sheet:	1 of 1		Size:	A3



Material:	S420MC						Dimension:	0.5 thru 3	3 thru 6	6 Thru 30	30 thru 120	120 thru 400	400 thru 1000
Treatment:	Black						Tolerance:	±0.1	±0.1	±0.2	±0.3	±0.5	±0.8
							GENERAL TOLERANCES according to ISO 2768-mH						
							General Roughness:	12.5			Scale:	1:1	
							Drawn:	ACE		Unit:	mm		
							Approved:	-		Date:	26-11-2013		
							Status:	-	Version:	1	Date:	26-11-2013	
Description:							Side plate						
							Drawing nr: 5KTA02.015						
Document ID:							-		Sheet:	1 of 1		Size:	A3

1

2

3

4

F

F

E

E

D

D

C

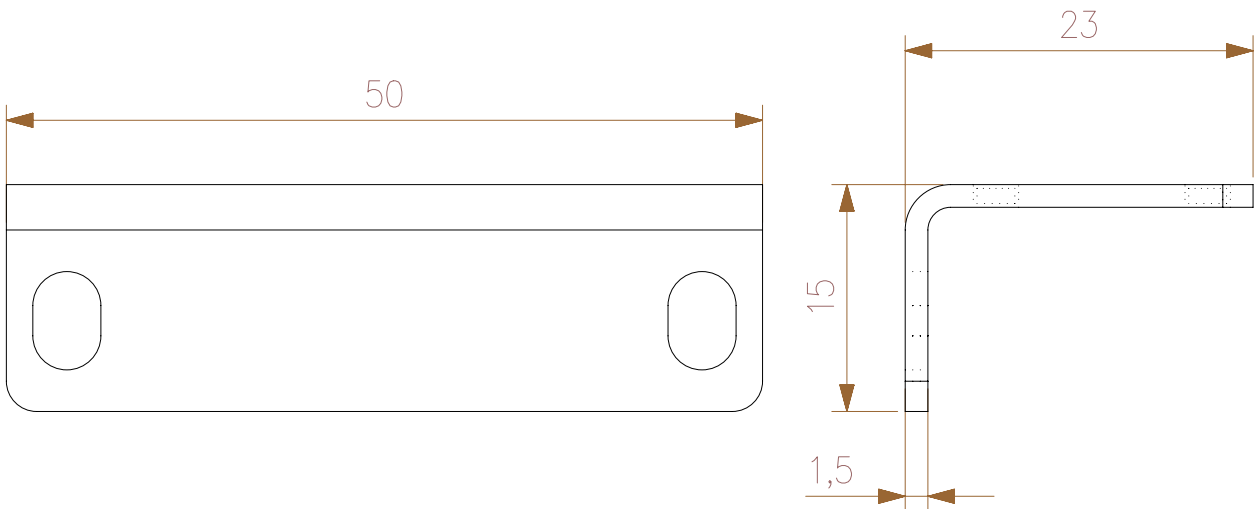
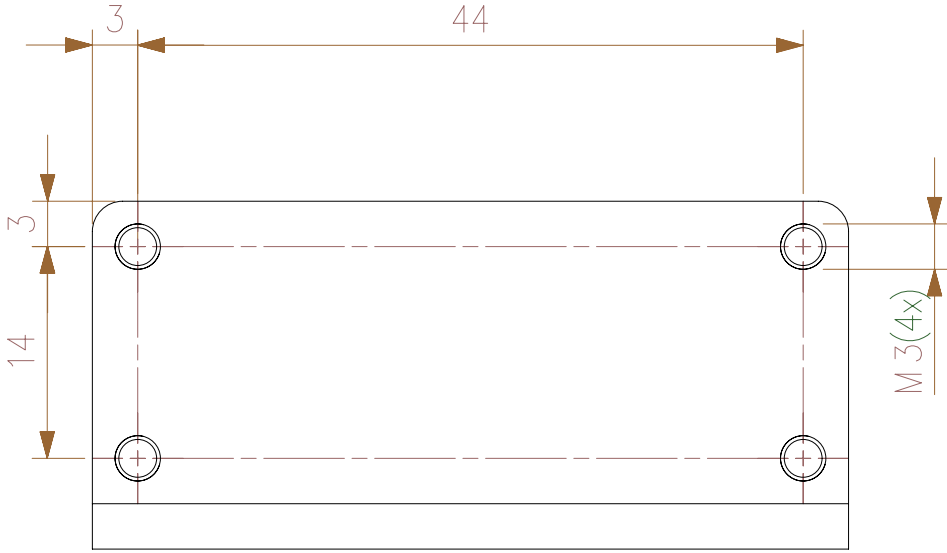
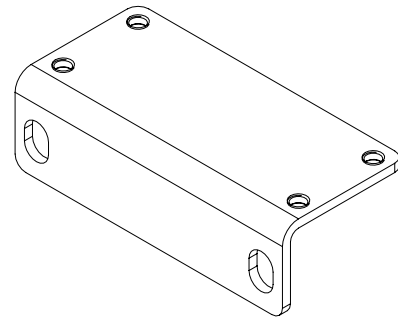
C

B

B

A

A



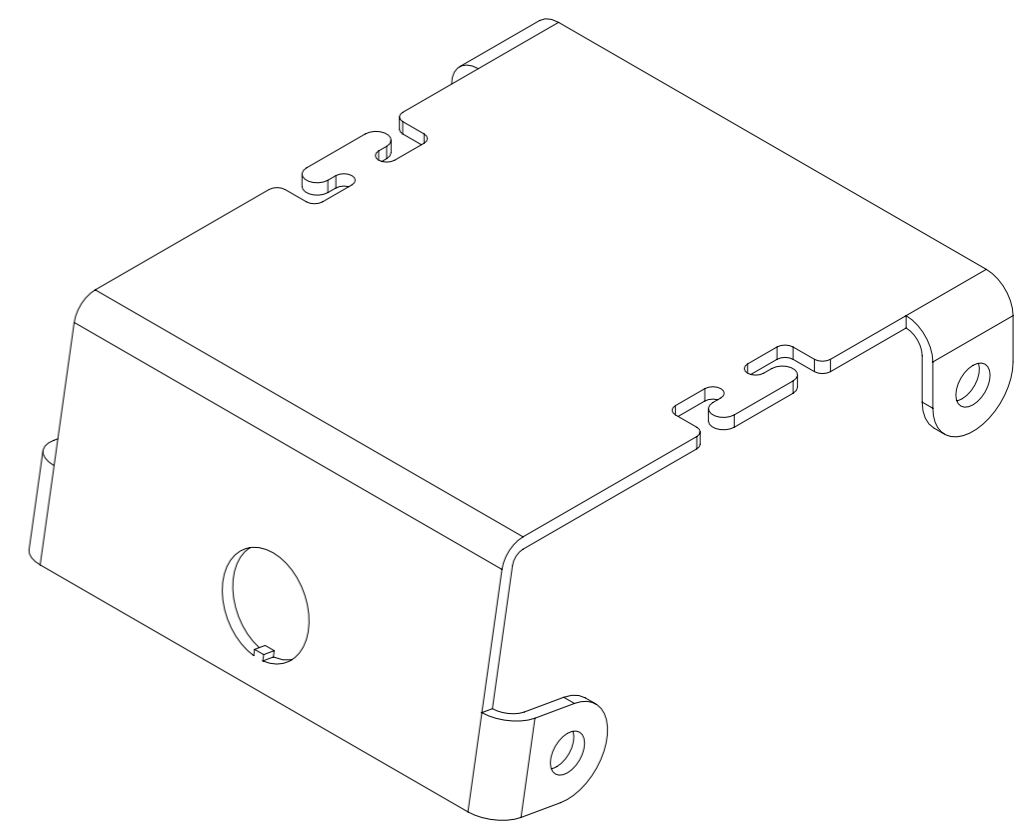
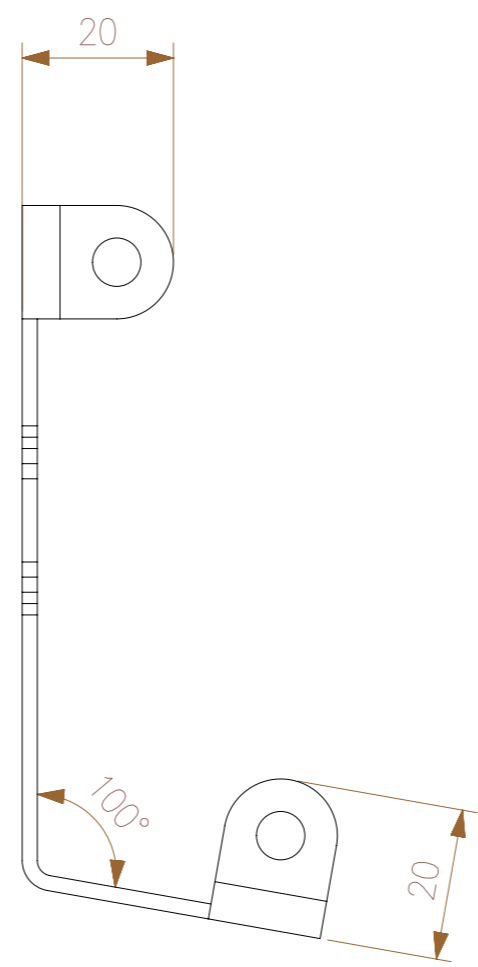
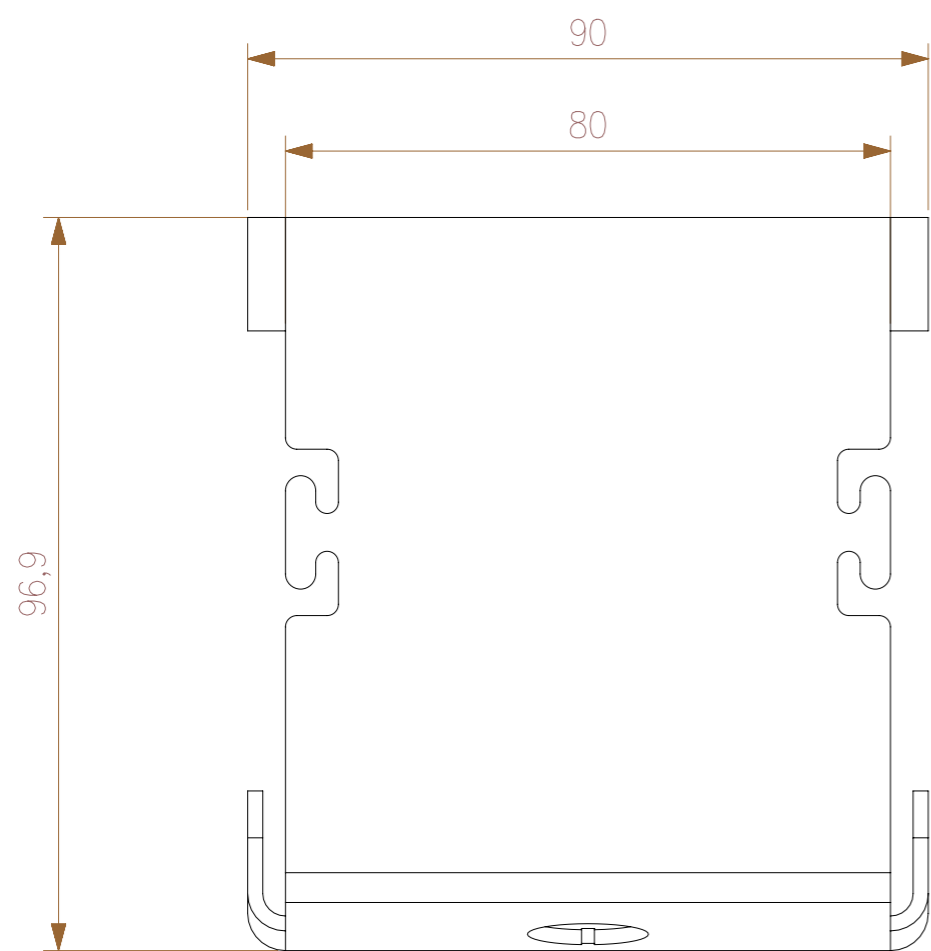
Material: Aluminum	Dimension:	0.5 thru 3	3 thru 6	6 Thru 30	30 thru 120	120 thru 400	400 thru 1000
	Tolerance:	±0.1	±0.1	±0.2	±0.3	±0.5	±0.8
Treatment: Black anodized	GENERAL TOLERANCES according to ISO 2768-mH						
Description: Hall sensor support	General Roughness: $12.5/\sqrt{\quad}$			Scale:	2:1		
	Drawn: ACE	Approved: -		Unit:	mm		
Document ID: -	Status: -	Version: 1		Date:	15-11-2013		
	Drawing nr:			5KTA02.016			
	Sheet:		1 of 1		Size: A4		

1

2

3

4



Material:	Aluminum	Dimension:	0.5 thru 3	3 thru 6	6 Thru 30	30 thru 120	120 thru 400	400 thru 1000
Treatment:	Black anodized	Tolerance:	±0.1	±0.1	±0.2	±0.3	±0.5	±0.8
		GENERAL TOLERANCES according to ISO 2768-mH						
		General Roughness:	12.5			Scale:	1:1	
		Drawn:	ACE		Date:	29-11-2013		
		Approved:	-		Date:	-		
		Status:	-		Version:	1	Date:	29-11-2013
		Description:		Estop switch plate				
		Drawing nr:		5KTA02.017				
Document ID:	-	Sheet:	1 of 1		Size:	A3		

1

2

3

4

F

F

E

E

D

D

C

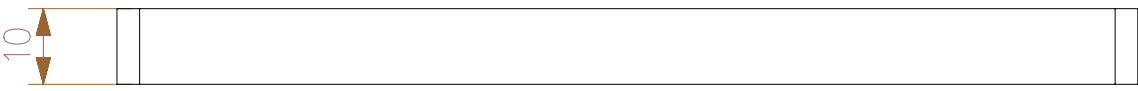
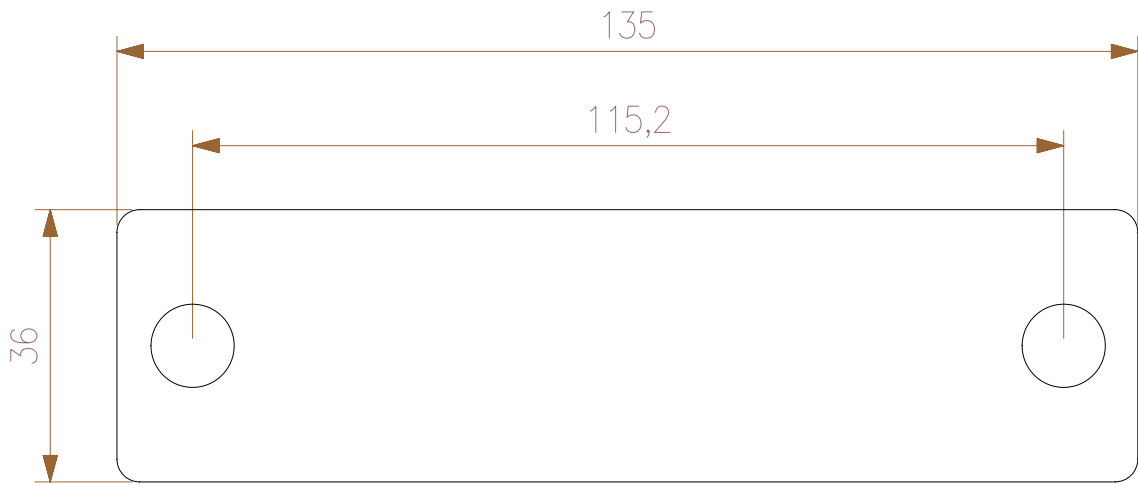
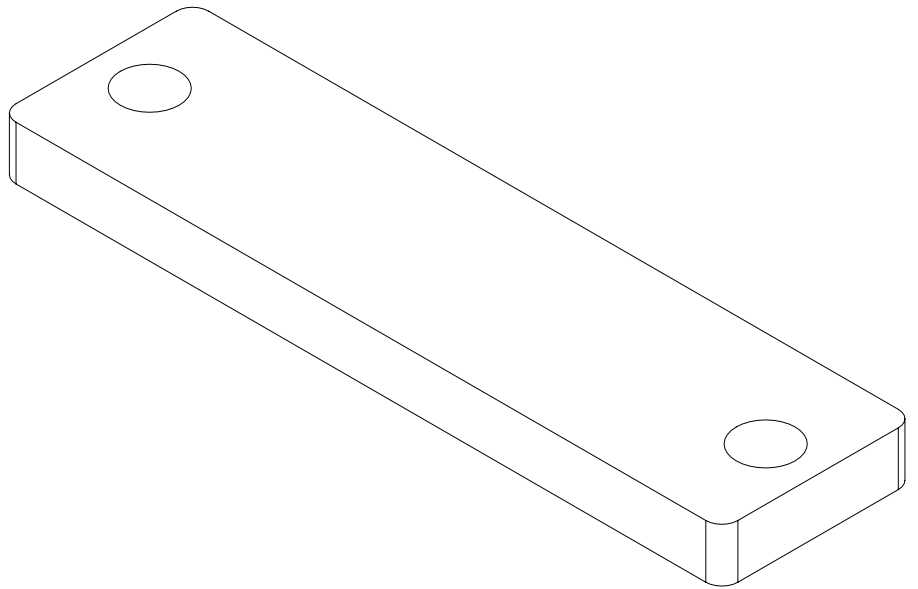
C

B

B

A

A



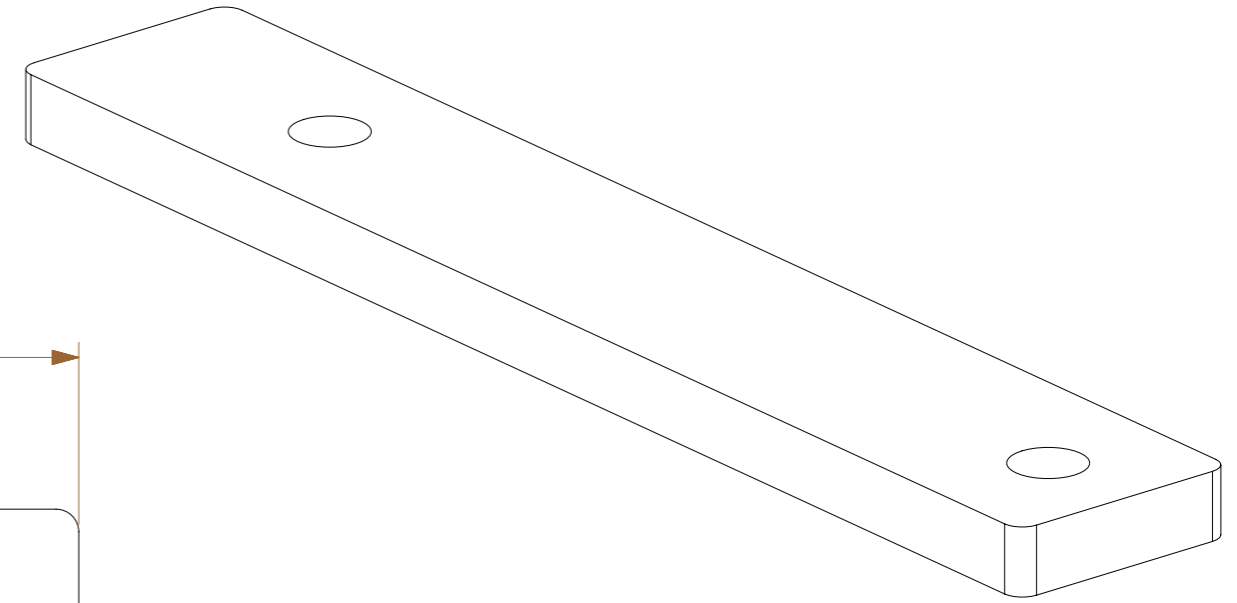
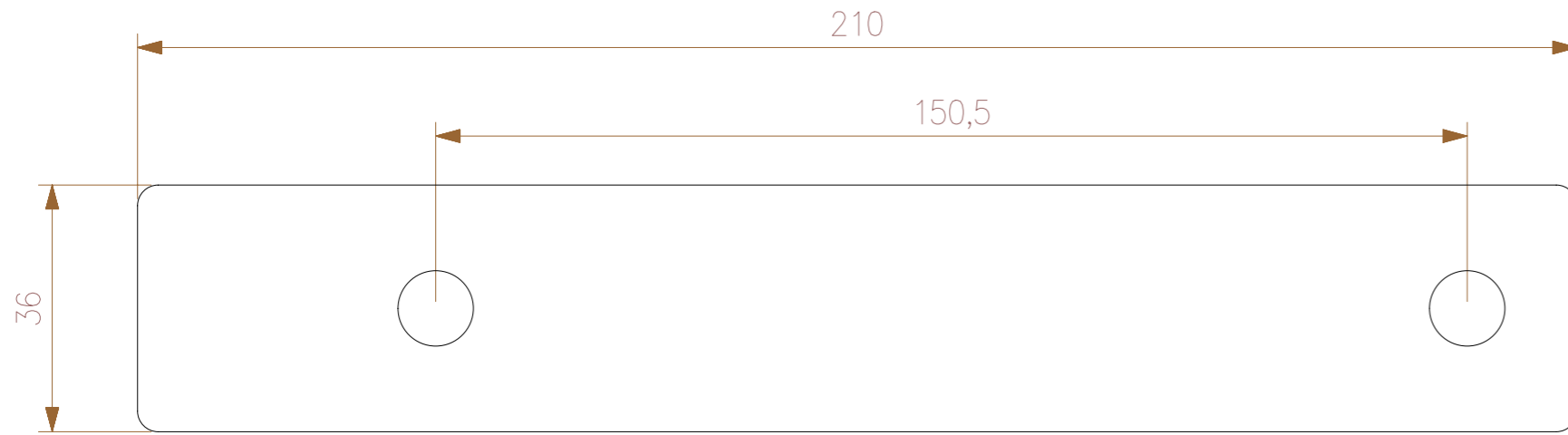
Material:	Rubber	Dimension:	0.5 thru 3	3 thru 6	6 Thru 30	30 thru 120	120 thru 400	400 thru 1000
	Treatment:	-	Tolerance:	±0.1	±0.1	±0.2	±0.3	±0.5
			GENERAL TOLERANCES according to ISO 2768-mH					
			General Roughness: 12.5			Scale: NA		
			Drawn: ACE			Unit: mm		
			Approved: -			Date: 27-11-2013		
Description: Back plate rubber			Status: 27-11-2013			Version: 1		Date: -
			Drawing nr: 5KTA02.018					
Document ID:	-					Sheet:	1 of 1	Size: A4

1

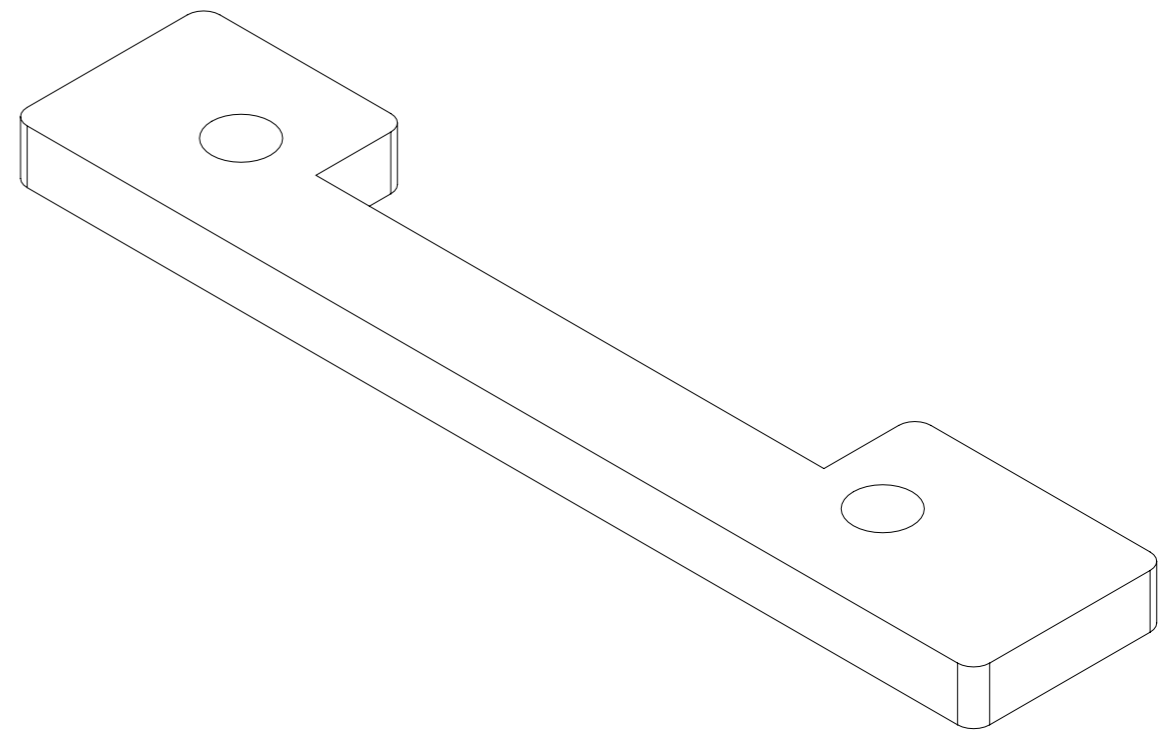
2

3

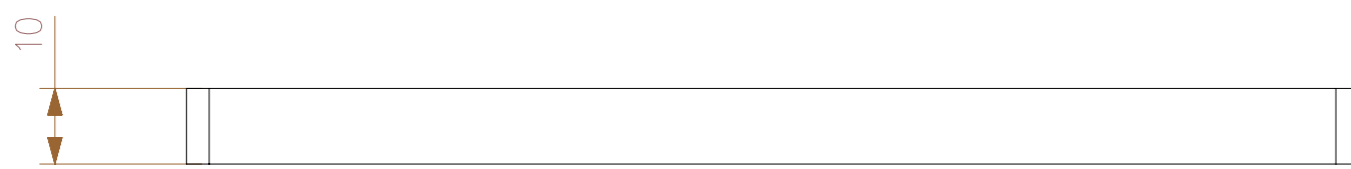
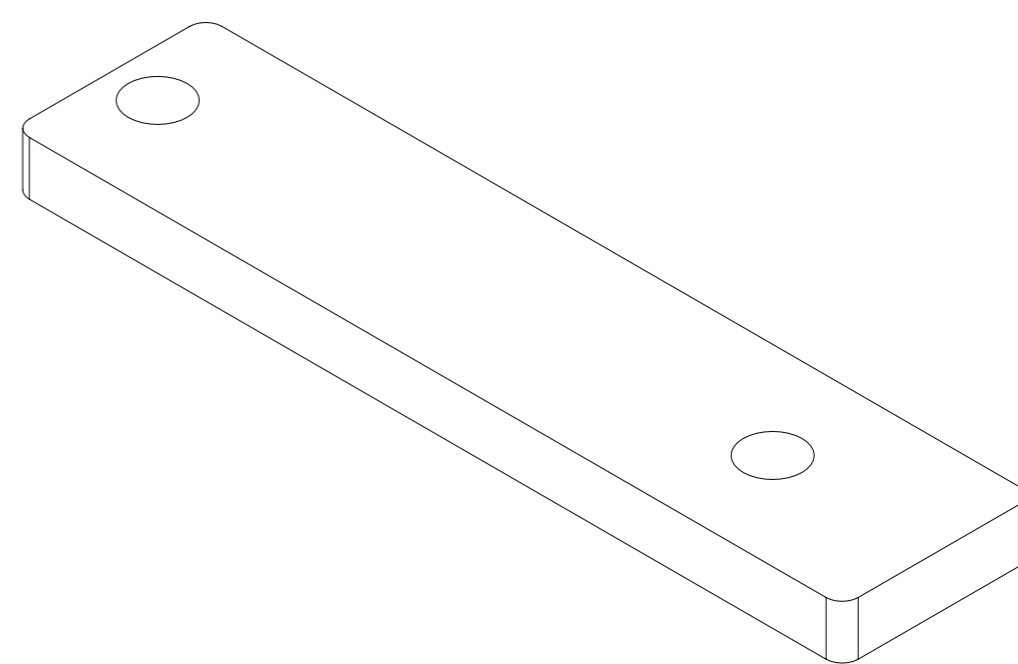
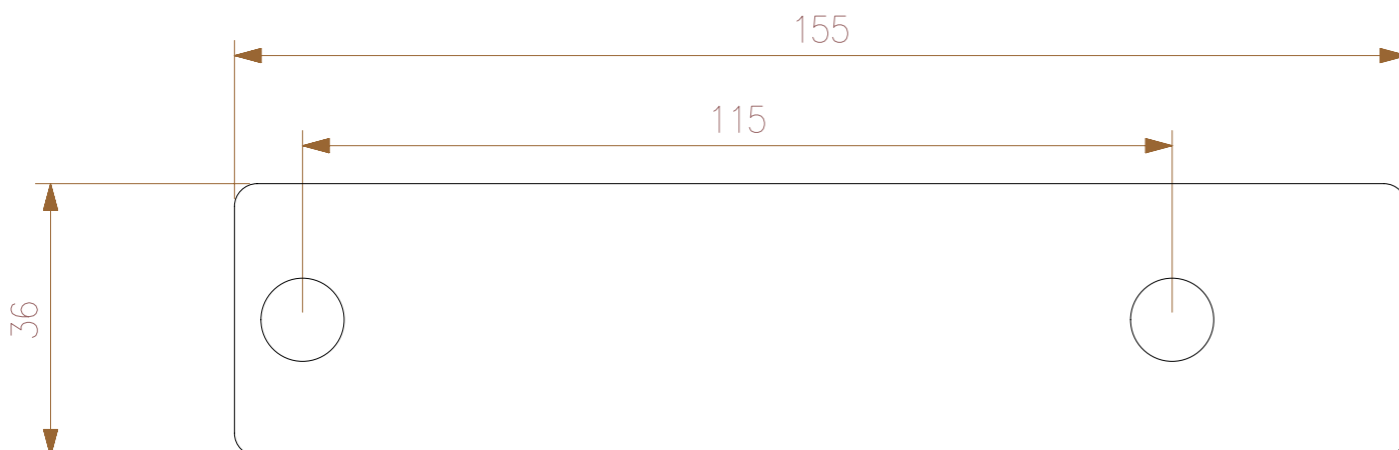
4



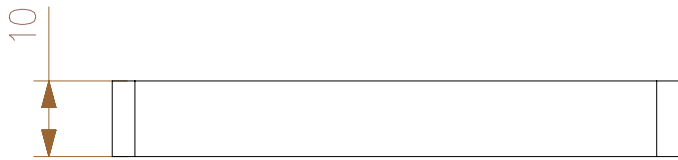
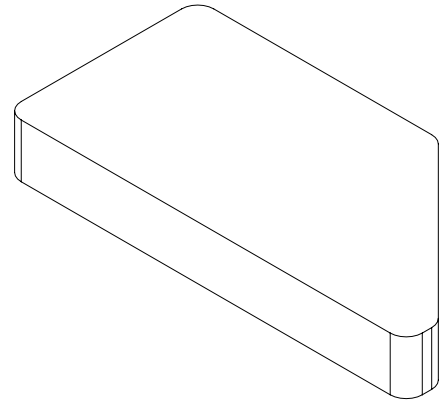
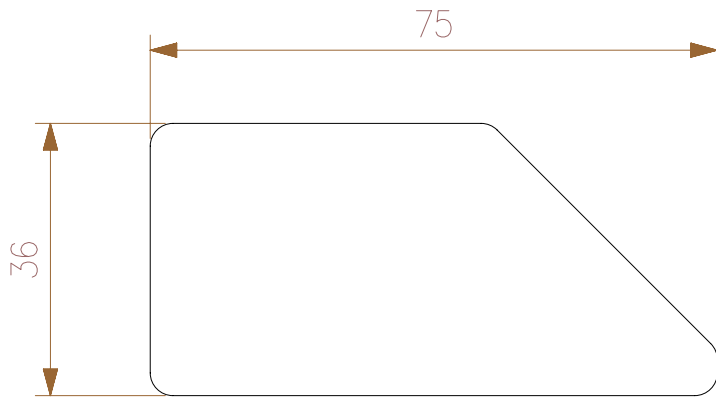
Material:	Rubber	Dimension:	0,5 thru 3	3 thru 6	6 Thru 30	30 thru 120	120 thru 400	400 thru 1000	
Treatment:	-	Tolerance:	±0.1	±0.1	±0.2	±0.3	±0.5	±0.8	
GENERAL TOLERANCES according to ISO 2768-mH									
		General Roughness:	12.5			Scale:	NA		
		Drawn:	ACE			Unit:	mm		
		Approved:	-			Date:	27-11-2013		
		Status:	-	Version:	1	Date:	27-11-2013		
Description:		Back side plate rubber							Drawing nr:
		5KTA02.019							
Document ID:	-			Sheet:	1 of 1		Size:	A3	



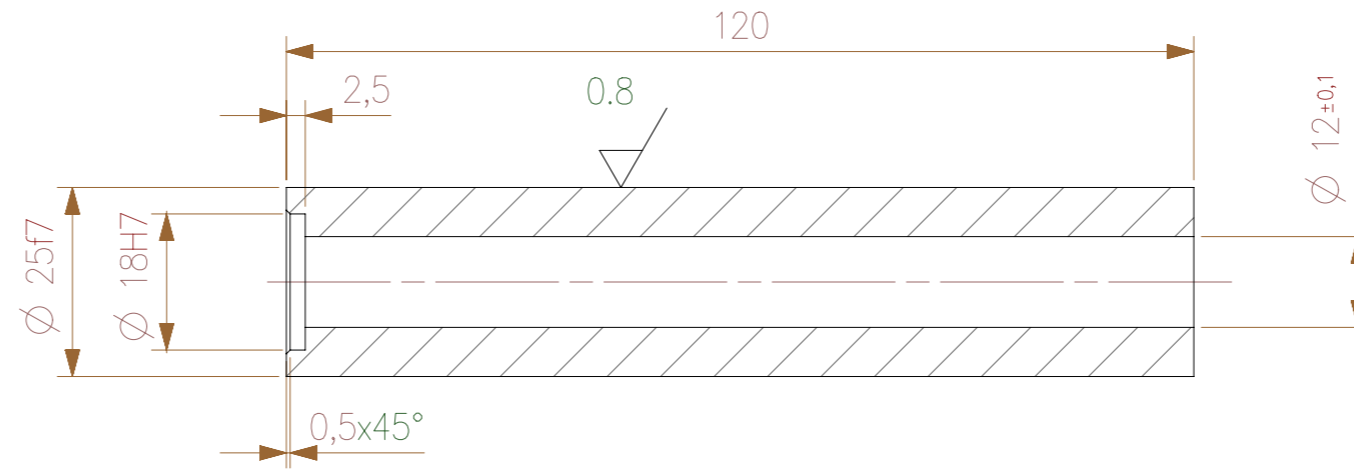
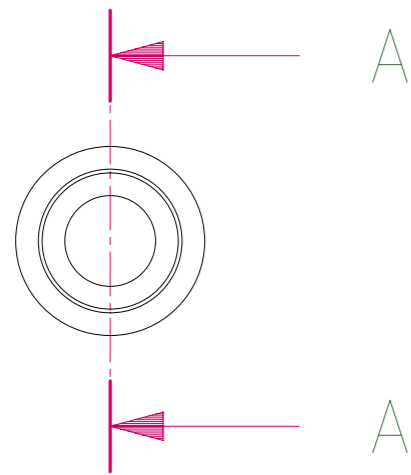
Material:	Rubber	Dimension:	0.5 thru 3	3 thru 6	6 Thru 30	30 thru 120	120 thru 400	400 thru 1000
Treatment:	-	Tolerance:	±0.1	±0.1	±0.2	±0.3	±0.5	±0.8
GENERAL TOLERANCES according to ISO 2768-mH								
		General Roughness:	12.5			Scale:	1:1	
		Drawn:	ACE			Unit:	mm	
		Approved:	-			Date:	27-11-2013	
		Status:	-	Version:	1	Date:	27-11-2013	
Description:		Side plate rubber			Drawing nr: 5KTA02.020			
Document ID:		-		Sheet:		1 of 1		Size: A3



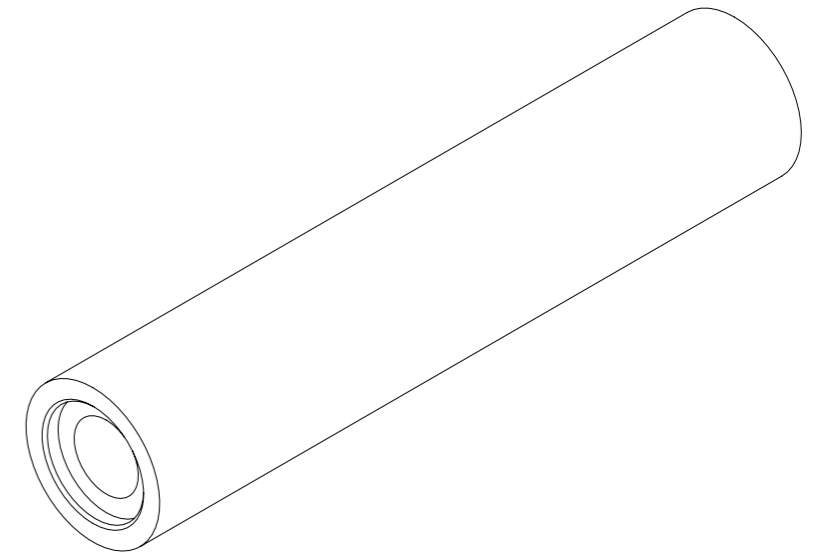
Material:	Rubber	Dimension:	0.5 thru 3	3 thru 6	6 Thru 30	30 thru 120	120 thru 400	400 thru 1000
Treatment:	-	Tolerance:	±0.1	±0.1	±0.2	±0.3	±0.5	±0.8
GENERAL TOLERANCES according to ISO 2768-mH								
		General Roughness:	12.5			Scale:	1:1	
		Drawn:	ACE		Date:	27-11-2013		
		Approved:	-		Date:	-		
		Status:	-		Version:	1		
		Date:		27-11-2013				
Description:		Wheel plate rubber			Drawing nr: 5KTA02.021			
Document ID:		-		Sheet:		1 of 1		Size: A3



Material:	Rubber	Dimension:	0.5 thru 3	3 thru 6	6 Thru 30	30 thru 120	120 thru 400	400 thru 1000		
	Treatment:	-	Tolerance:	±0.1	±0.1	±0.2	±0.3	±0.5	±0.8	
			GENERAL TOLERANCES according to ISO 2768-mH							
			General Roughness:	12.5		Scale:	1:1			
						Unit:	mm			
			Drawn:	ACE			Date:	27-11-2013		
			Approved:	-			Date:	-		
Description: Front rubber			Status:	-		Version:	1		Date:	27-11-2013
			Drawing nr:			5KTA02.022				
Document ID:	-					Sheet:	1 of 1		Size:	A4



SECTION A-A

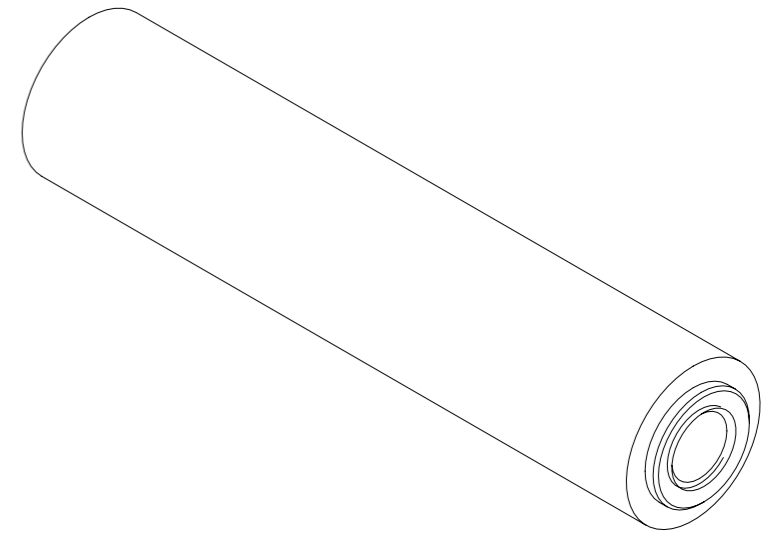
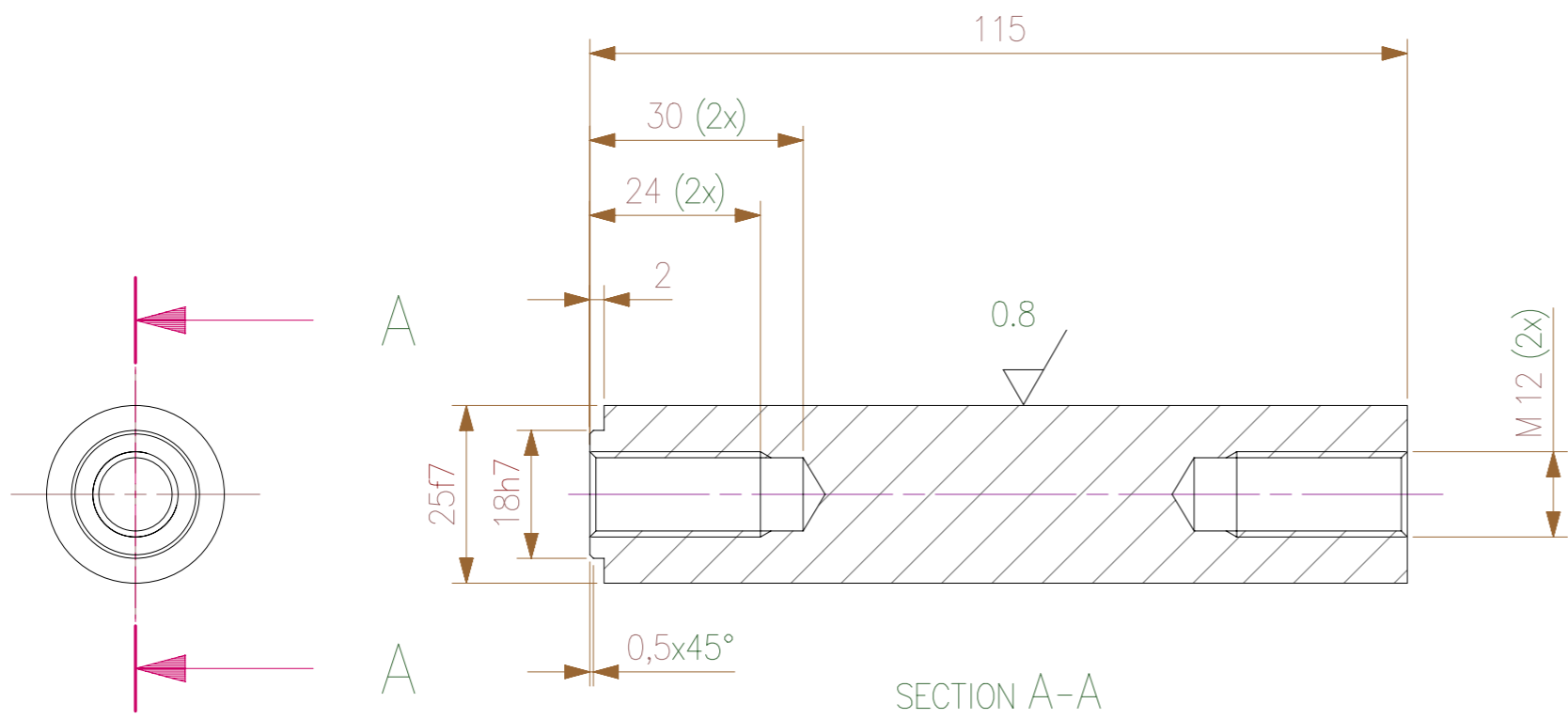


Dimensions after surfacetreatment

Material: S235	Dimension:	0.5 thru 3	3 thru 6	6 Thru 30	30 thru 120	120 thru 400	400 thru 1000
Treatment: Anti corrosion protection	Tolerance:	±0.1	±0.1	±0.2	±0.3	±0.5	±0.8
GENERAL TOLERANCES according to ISO 2768-mH							
General Roughness: 3.2				Scale: 1:1			
Drawn: ACE		Unit: mm					
Approved: -		Date: 14-11-2013					
Description: Ferro section		Status: -	Version: 1	Date: 14-11-2013			
Document ID: -		Drawing nr: 5KTA03.001				Sheet: 1 of 1	
				Size: A3			

1 2 3 4 5 6 7 8

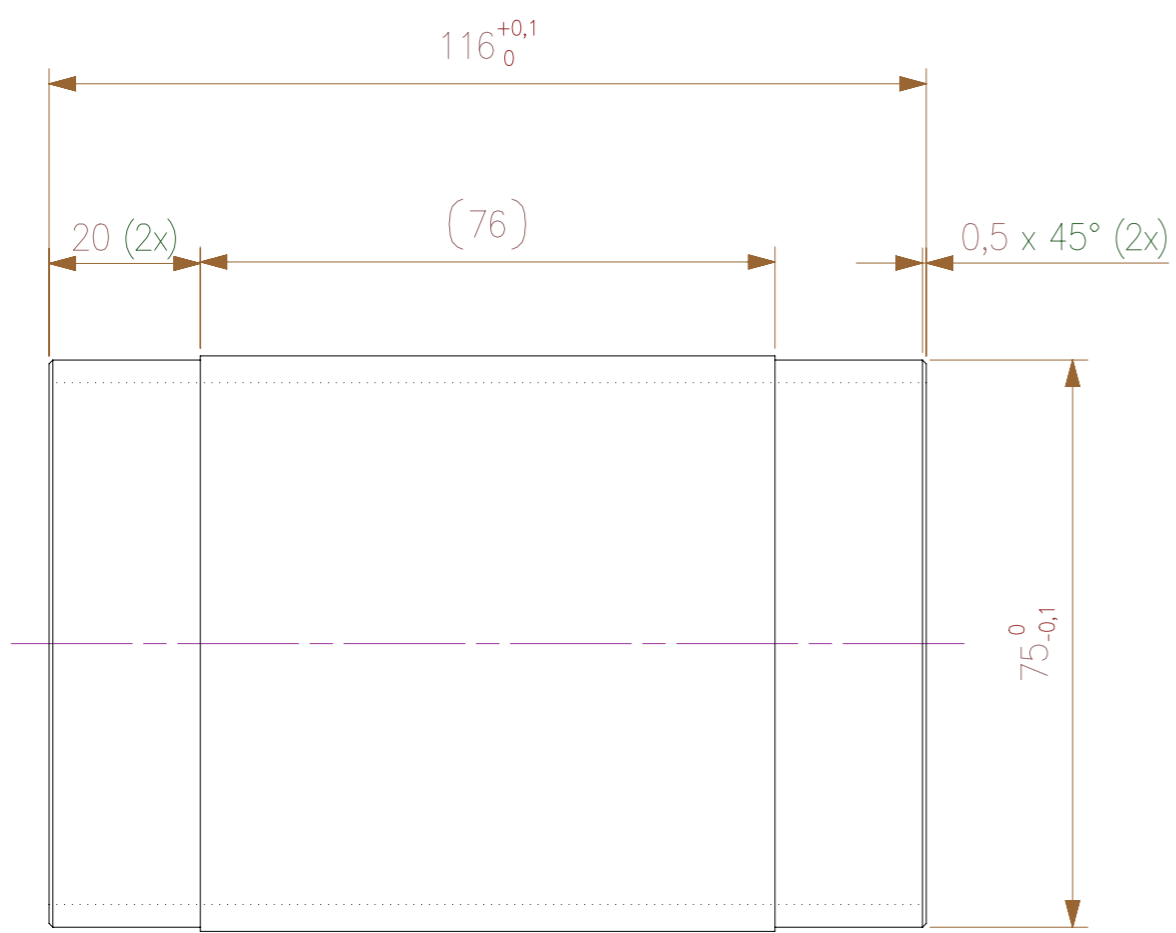
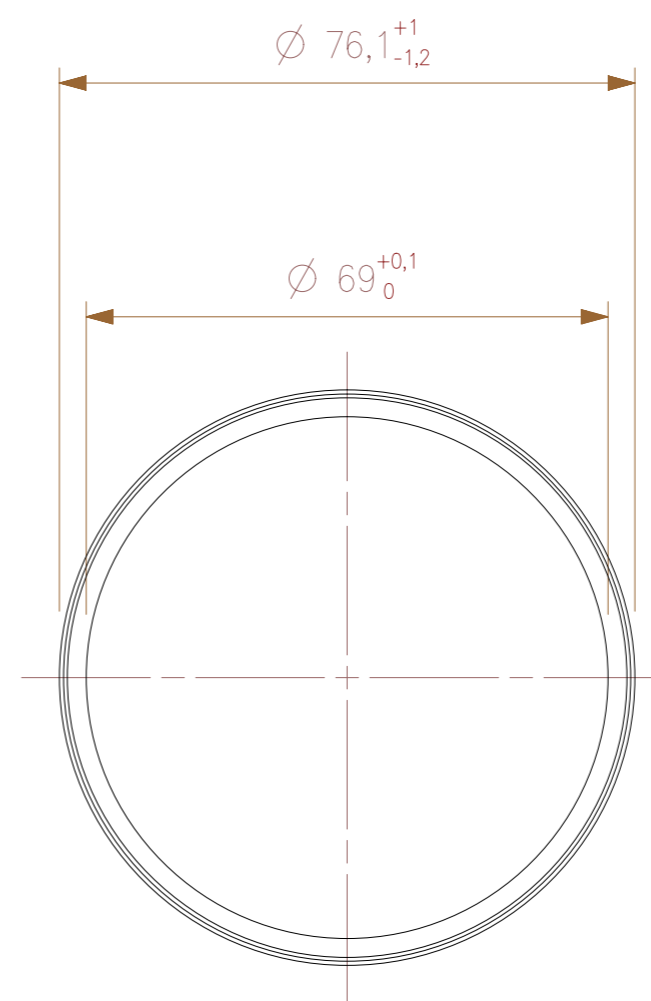
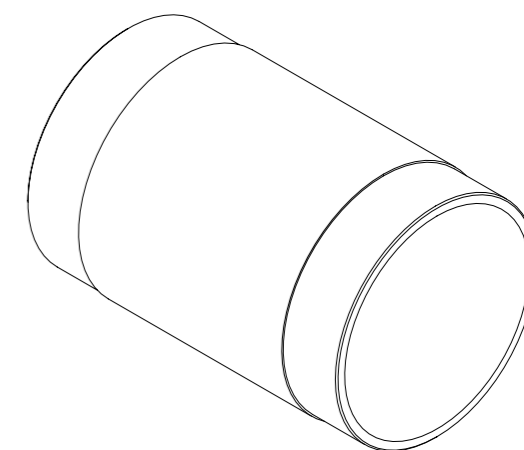
F
E
D
C
B
A



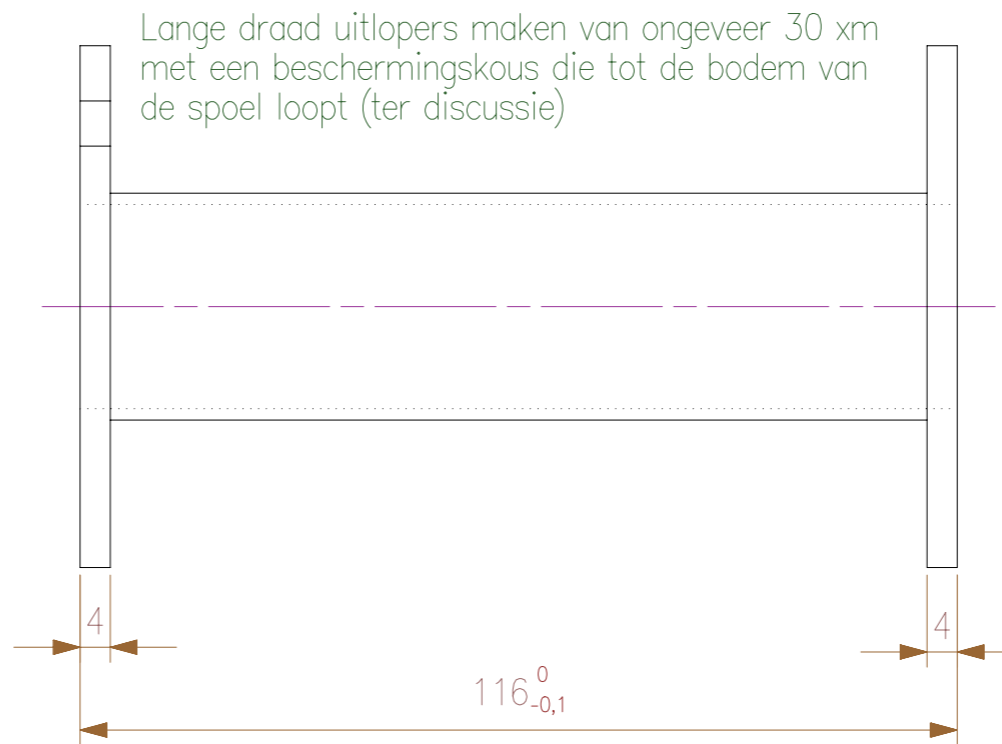
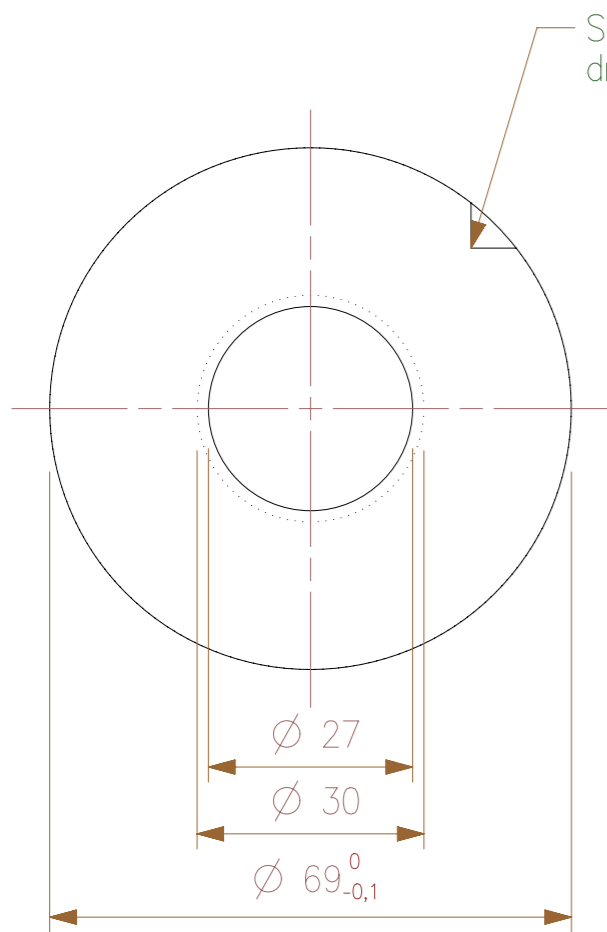
Dimensions after surfacetreatment

Material:	Aluminum	Dimension:	0.5 thru 3	3 thru 6	6 Thru 30	30 thru 120	120 thru 400	400 thru 1000	
Treatment:	Anti corrosion protection	Tolerance:	±0.1	±0.1	±0.2	±0.3	±0.5	±0.8	
		GENERAL TOLERANCES according to ISO 2768-mH							
		General Roughness:	3.2			Scale:	1:1		
		Drawn:	ACE		Date:	14-11-2013			
		Approved:	-		Date:	-			
		Status:	-		Version:	1		Date:	14-11-2013
Description:		Non ferro section							
		Drawing nr: 5KTA03.002							
Document ID:	-	Sheet:	1 of 1		Size:	A3			

1 2 3 4 5 6 7 8



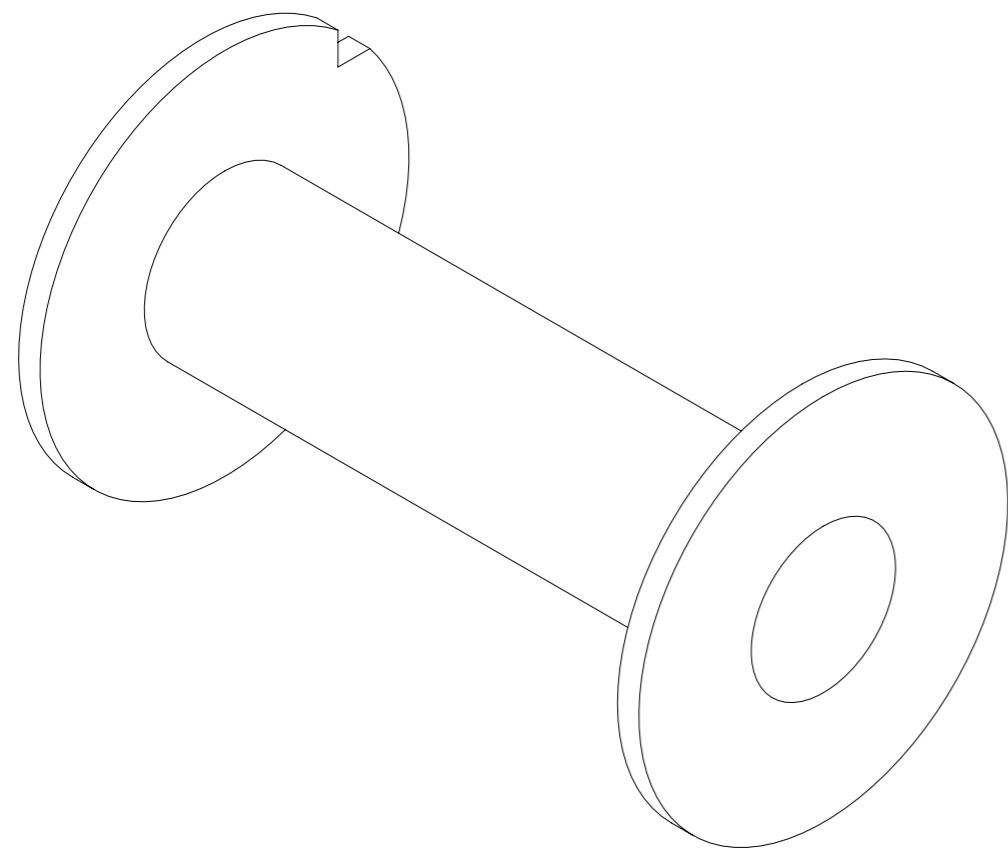
Material:	Seamless tube 76,1 x 4 EN10210 S355J2H					
Treatment:	Anti corrosion coating					
Dimension:	0,5 thru 3	3 thru 6	6 Thru 30	30 thru 120	120 thru 400	400 thru 1000
Tolerance:	±0.1	±0.1	±0.2	±0.3	±0.5	±0.8
GENERAL TOLERANCES according to ISO 2768-mH						
General Roughness:	3.2			Scale:	1:1	
Drawn:	ACE			Unit:	mm	
Approved:	-			Date:	13-11-2013	
Description:	Tube			Status:	-	Date: -
		Version:	1	Date:	13-11-2013	
Document ID:	-			Drawing nr:	5KTA03.003	
		Sheet:	1 of 1		Size:	A3



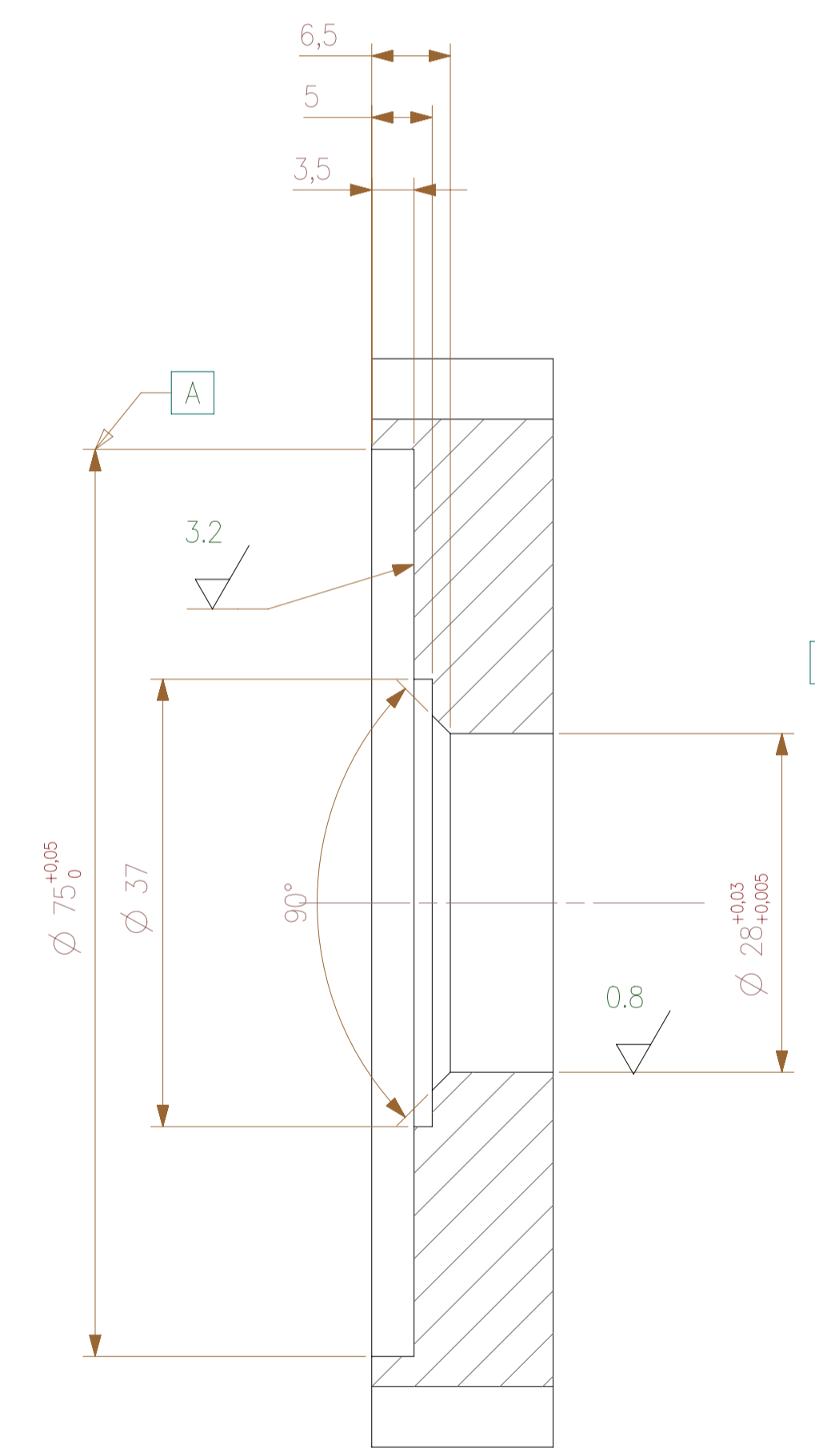
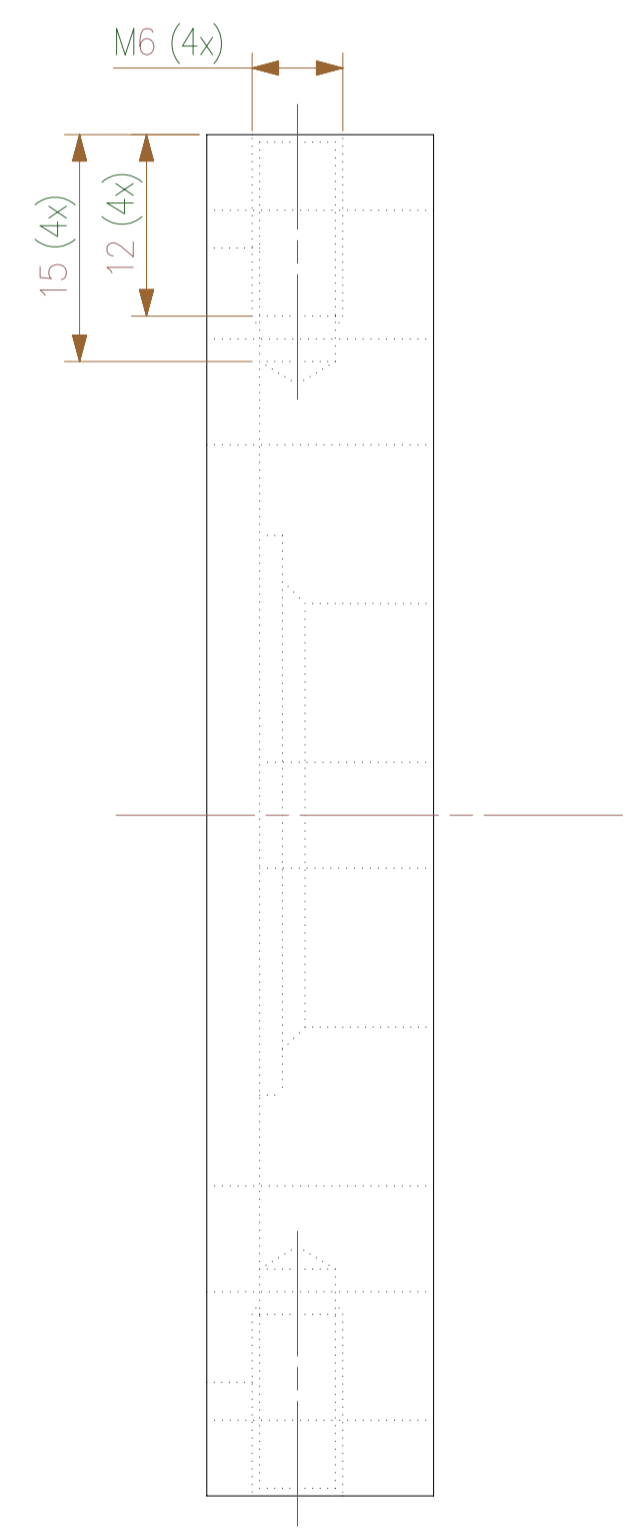
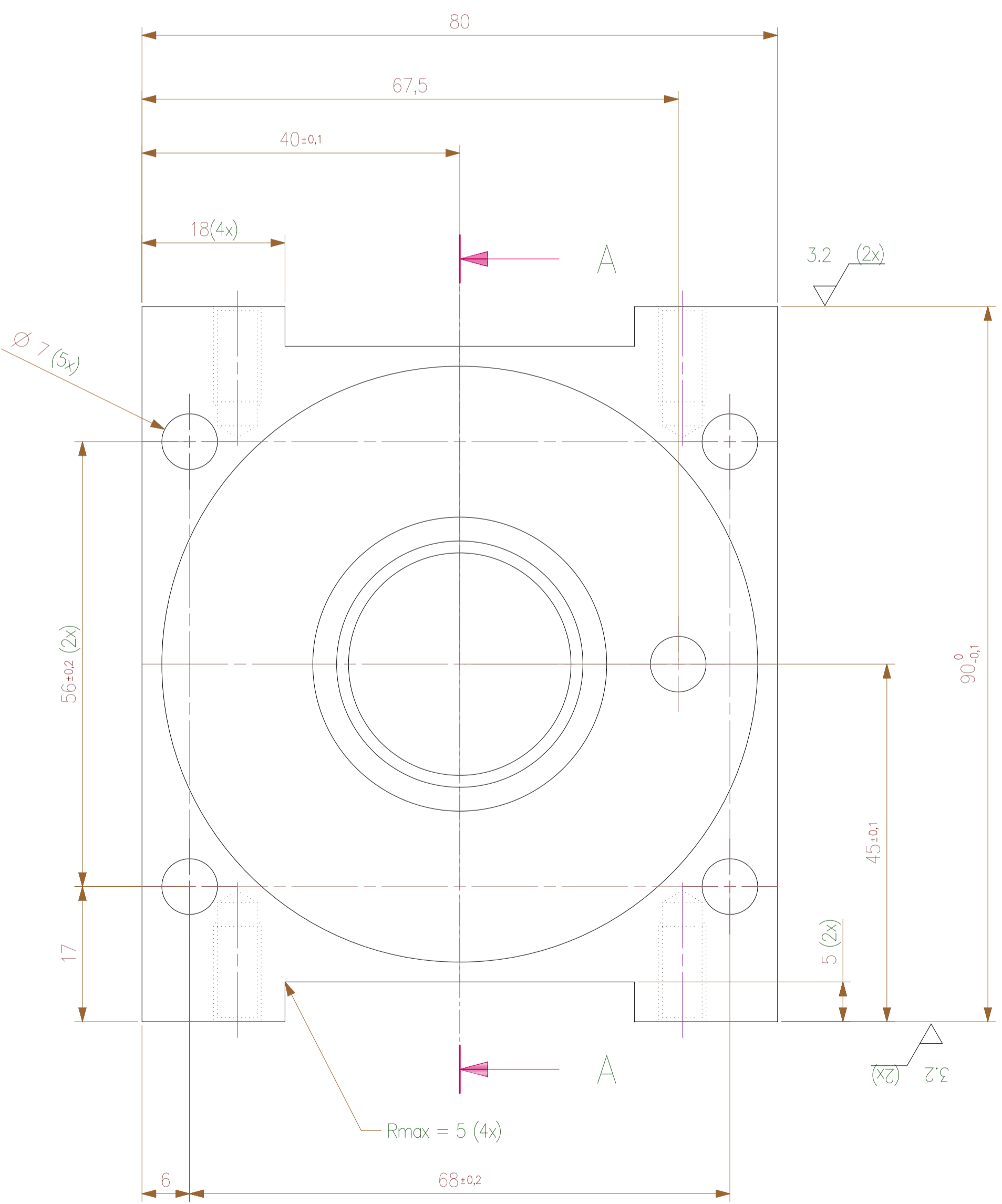
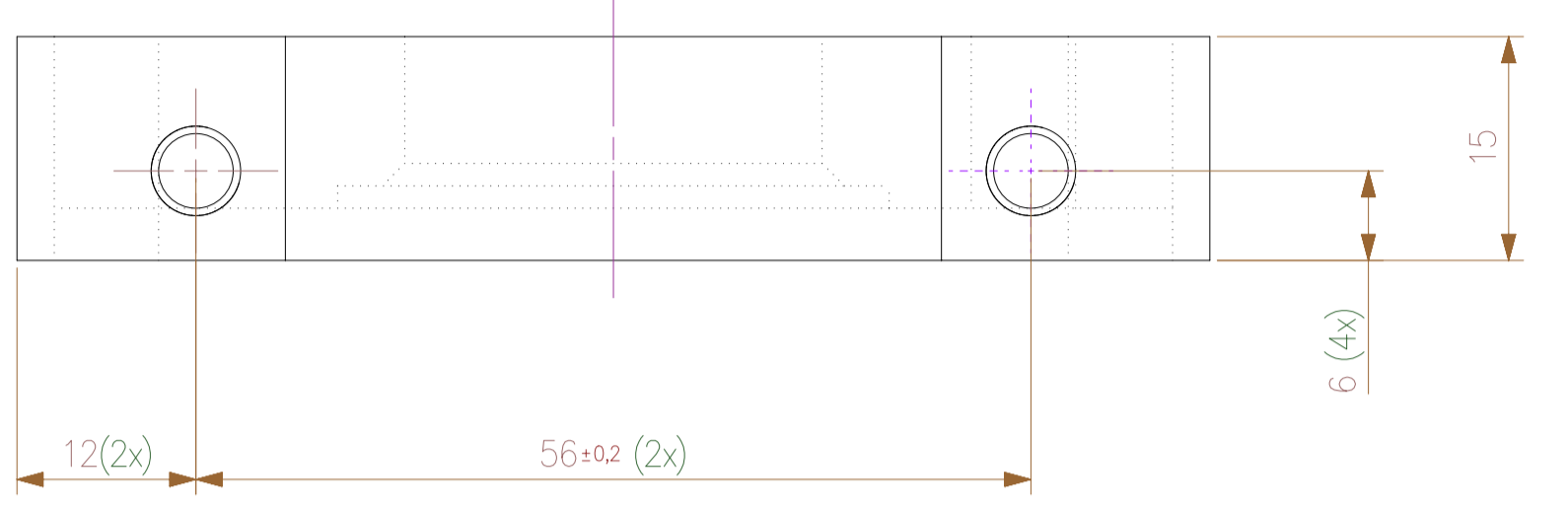
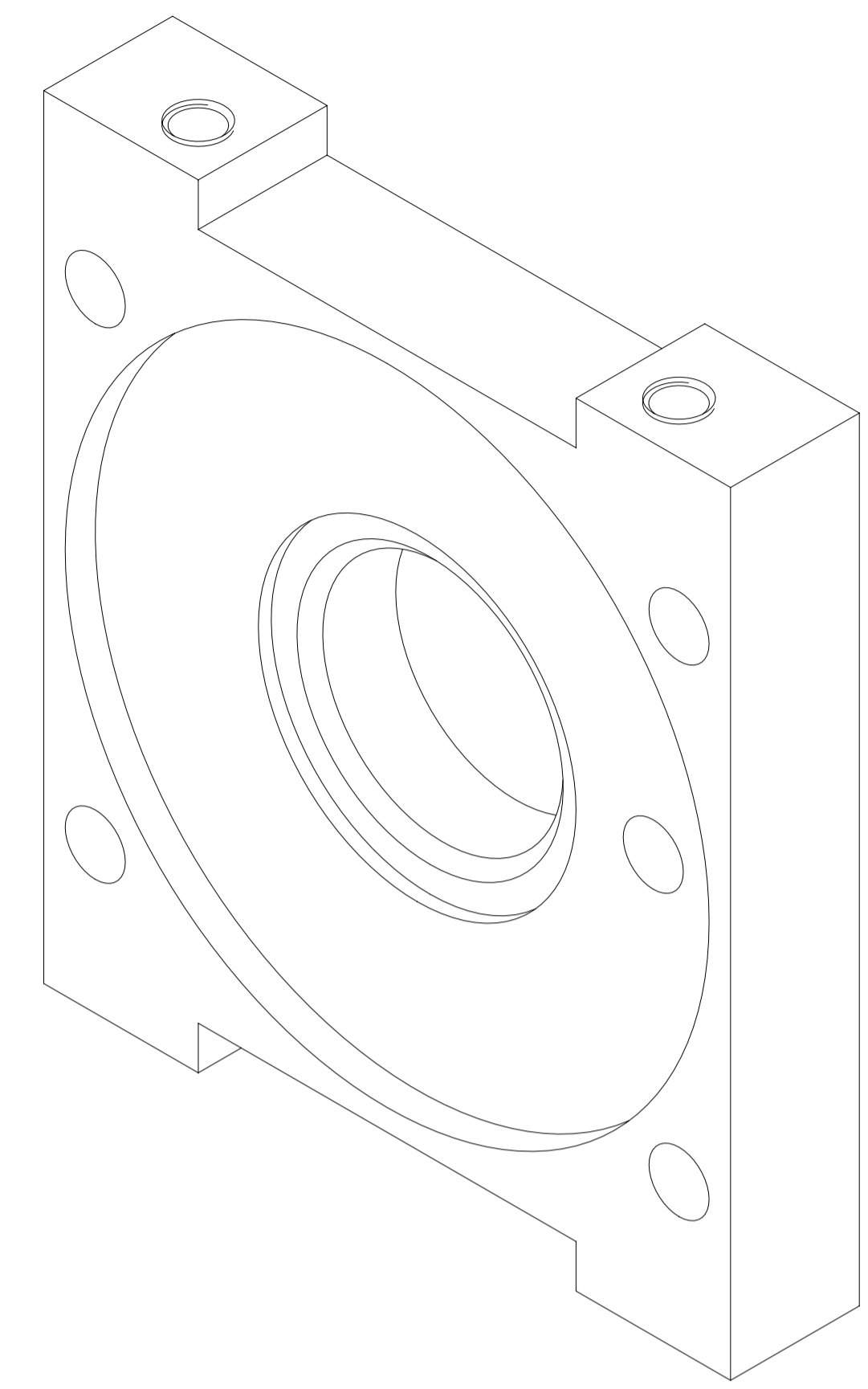
1064 Windingen
 13 lagen
 "Naderhand afbakken"
 (Wikkelingen mogen niet boven de flens uitkomen)

Draad:
 cu 1,18 \varnothing 1,26
 (draad ter discussie)

Indien mogelijk wikkelingen aftapen
 (als diameter dit toelaat).



Material:	Determined by coil winding company						Dimension:	0,5 thru 3	3 thru 6	6 Thru 30	30 thru 120	120 thru 400	400 thru 1000	
Treatment:	-						Tolerance:	±0.1	±0.1	±0.2	±0.3	±0.5	±0.8	
							GENERAL TOLERANCES according to ISO 2768-mH							
							General Roughness:	NA			Scale:	1:1		
							Drawn:	ACE		Unit:			mm	
							Approved:	-		Date:			13-11-2013	
							Status:	-		Version:	1	Date:		13-11-2013
Description:							Coil winding core							
							Drawing nr:						5KTA03.004	
Document ID:							-		Sheet:		1 of 1		Size:	A3



⊙ ∅ 0.05 A

Material:	S235	Dimension:	0.5 mm	3 mm	6 mm	30 mm	120 mm	400 mm
Tolerance:	Black	GENERAL TOLERANCES according to ISO 2768-mS	±0.1	±0.1	±0.2	±0.3	±0.5	±0.8
General Roughness:	3.2	Scale:	2:1					
Drawn:	ACE	Unit:	mm					
Approved:	-	Date:	13-11-2013					
Status:	-	Version:	1					
Drawing nr:	5KTA03.005							
Document ID:	-	Sheet:	1 of 1					
		Size:	A3					

1

2

3

4

F

F

E

E

D

D

C

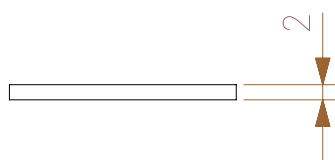
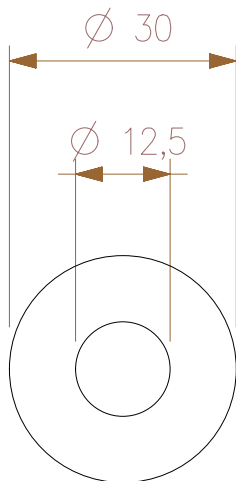
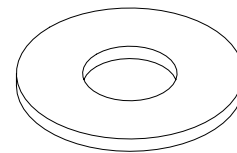
C

B

B

A

A



Material:	Aluminum	Dimension:	0.5 thru 3	3 thru 6	6 Thru 30	30 thru 120	120 thru 400	400 thru 1000	
	Treatment:	-	Tolerance:	±0.1	±0.1	±0.2	±0.3	±0.5	±0.8
			GENERAL TOLERANCES according to ISO 2768-mH						
			General Roughness:	12.5 ✓			Scale:	1:1	
						Unit:	mm		
			Drawn:	ACE			Date:	13-11-2013	
			Approved:	-			Date:	-	
Description: Stopping ring			Status:	-		Version:	1	Date:	13-11-2013
			Drawing nr:			5KTA03.006			
Document ID:	-				Sheet:	1 of 1		Size:	A4

1

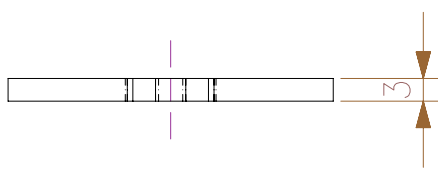
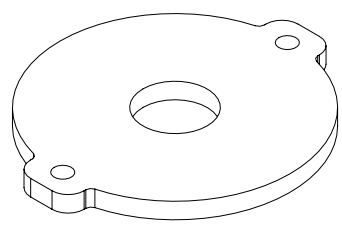
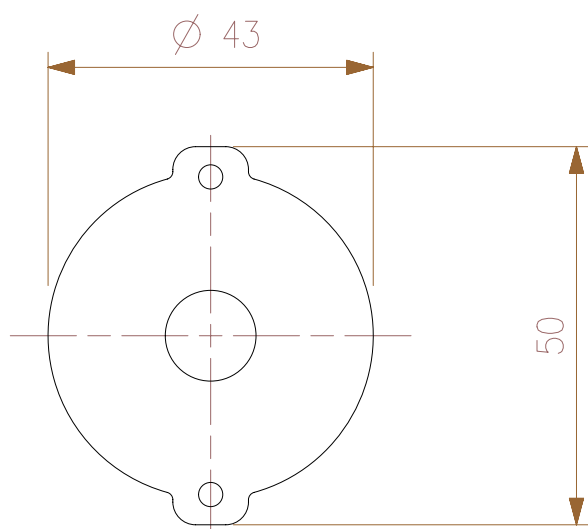
2

3

4

1 2 3 4

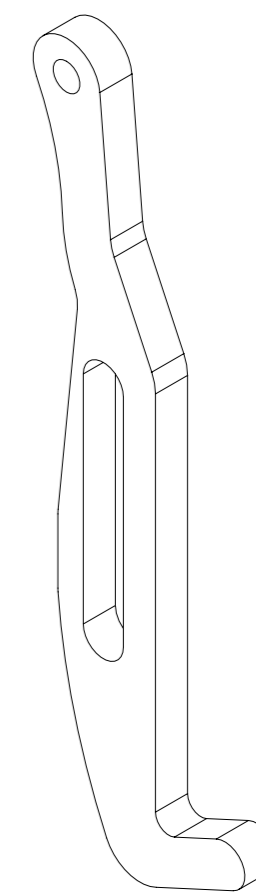
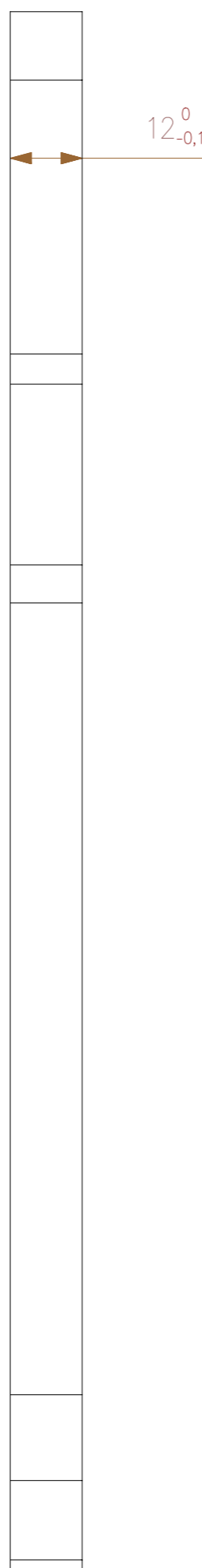
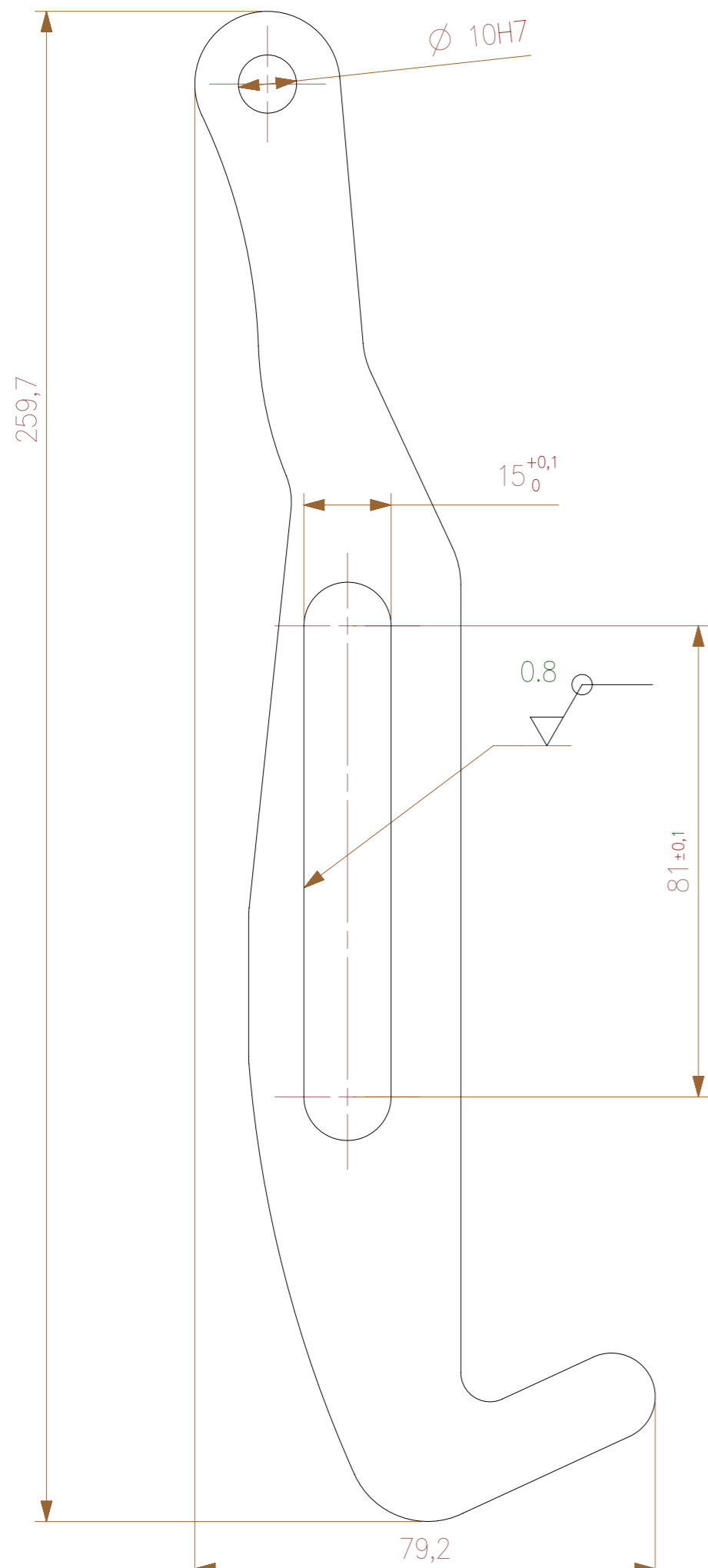
F
E
D
C
B
A



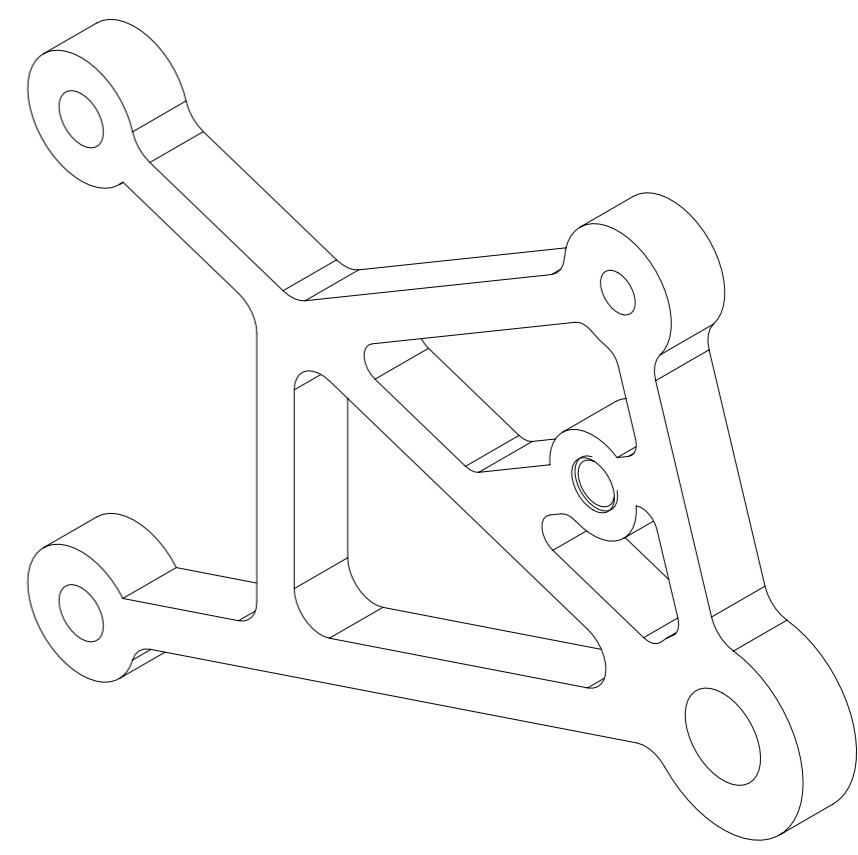
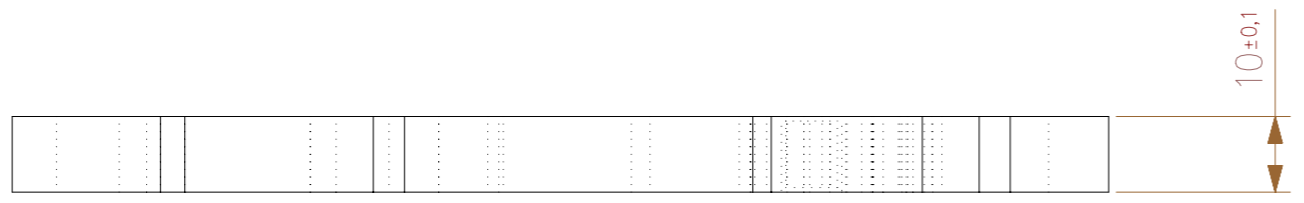
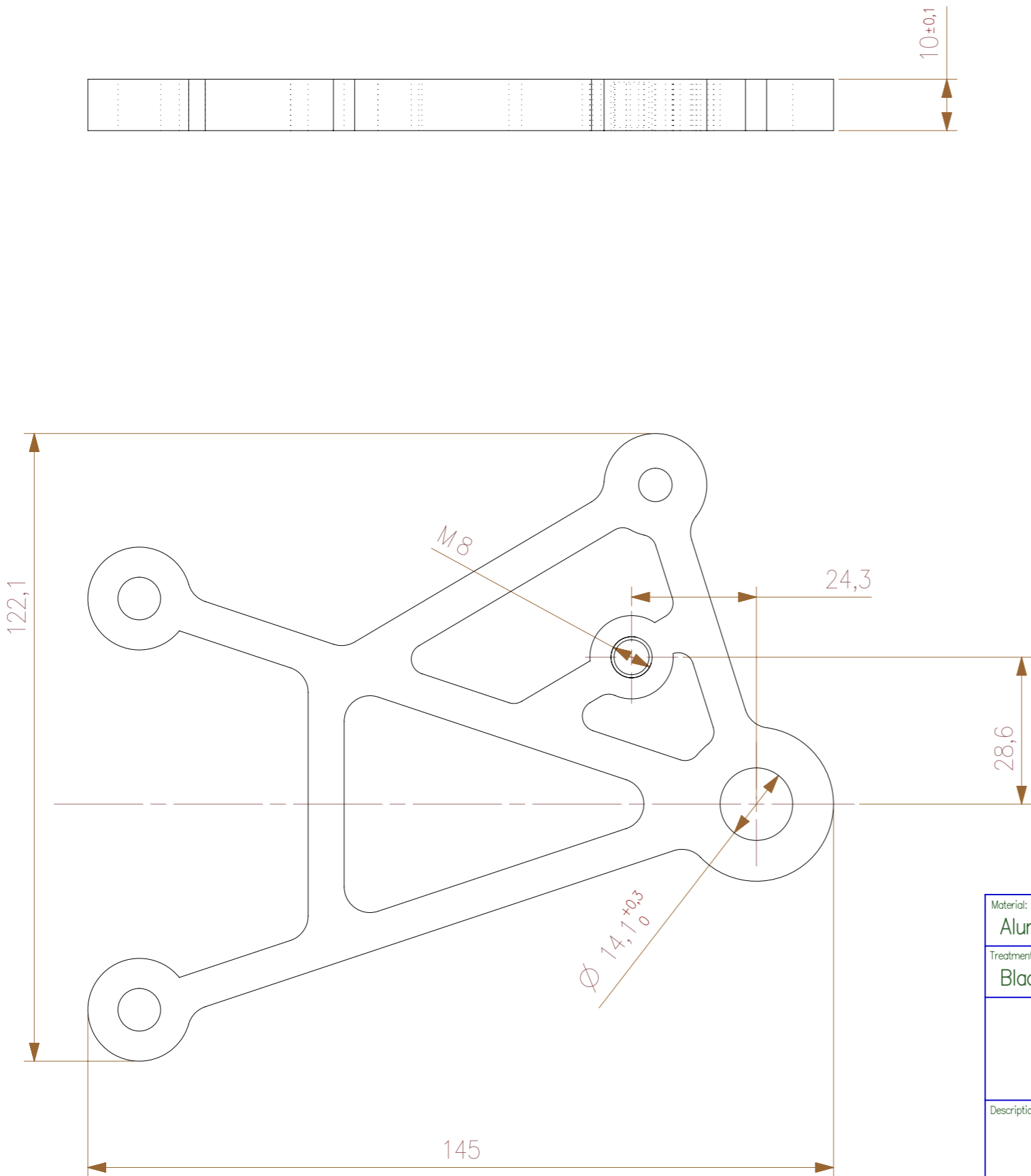
Material:	S235	Dimension:	0.5 thru 3	3 thru 6	6 Thru 30	30 thru 120	120 thru 400	400 thru 1000		
	Treatment:	Anti corrosive protection	Tolerance:	±0.1	±0.1	±0.2	±0.3	±0.5	±0.8	
			GENERAL TOLERANCES according to ISO 2768-mH							
			General Roughness:	3.2		Scale:	1:1			
						Unit:	mm			
			Drawn:	ACE			Date:	29-11-2013		
			Approved:	-			Date:	-		
Description:			Status:		-	Version:	1	Date:	29-11-2013	
			Drawing nr:			5KTA03.007				
Document ID:	-					Sheet:	1 of 1		Size:	A4

1 2 3 4

F
E
D
C
B
A



Material:	Aluminum 6061-T6 or 6082-T6					
Treatment:	Black anodized					
Dimension:	0,5 thru 3	3 thru 6	6 Thru 30	30 thru 120	120 thru 400	400 thru 1000
Tolerance:	± 0.1	± 0.1	± 0.2	± 0.3	± 0.5	± 0.8
GENERAL TOLERANCES according to ISO 2768-mH						
General Roughness:	12.5			Scale:	1:1	
Drawn:	ACE			Unit:	mm	
Approved:	-			Date:	14-11-2013	
Description:	Swing arm			Status:	-	
					Version:	1
Document ID:	-			Date:	14-11-2013	
				Drawing nr:	5KTA04.001	
				Sheet:	1 of 1	
				Size:	A3	



Material:	Aluminum							
Treatment:	Black anodized							
Dimension:	0,5 thru 3	3 thru 6	6 Thru 30	30 thru 120	120 thru 400	400 thru 1000		
Tolerance:	±0.1	±0.1	±0.2	±0.3	±0.5	±0.8		
GENERAL TOLERANCES according to ISO 2768-mH								
General Roughness:	12.5			Scale:	1:1			
Drawn:	ACE			Unit:	mm			
Approved:	-			Date:	14-11-2013			
Description:	Support plate							
Status:	-		Version:	1		Date:	14-11-2013	
Drawing nr:	5KTA04.002							
Document ID:	-			Sheet:	1 of 1		Size:	A3

1 2 3 4

F

F

E

E

D

D

C

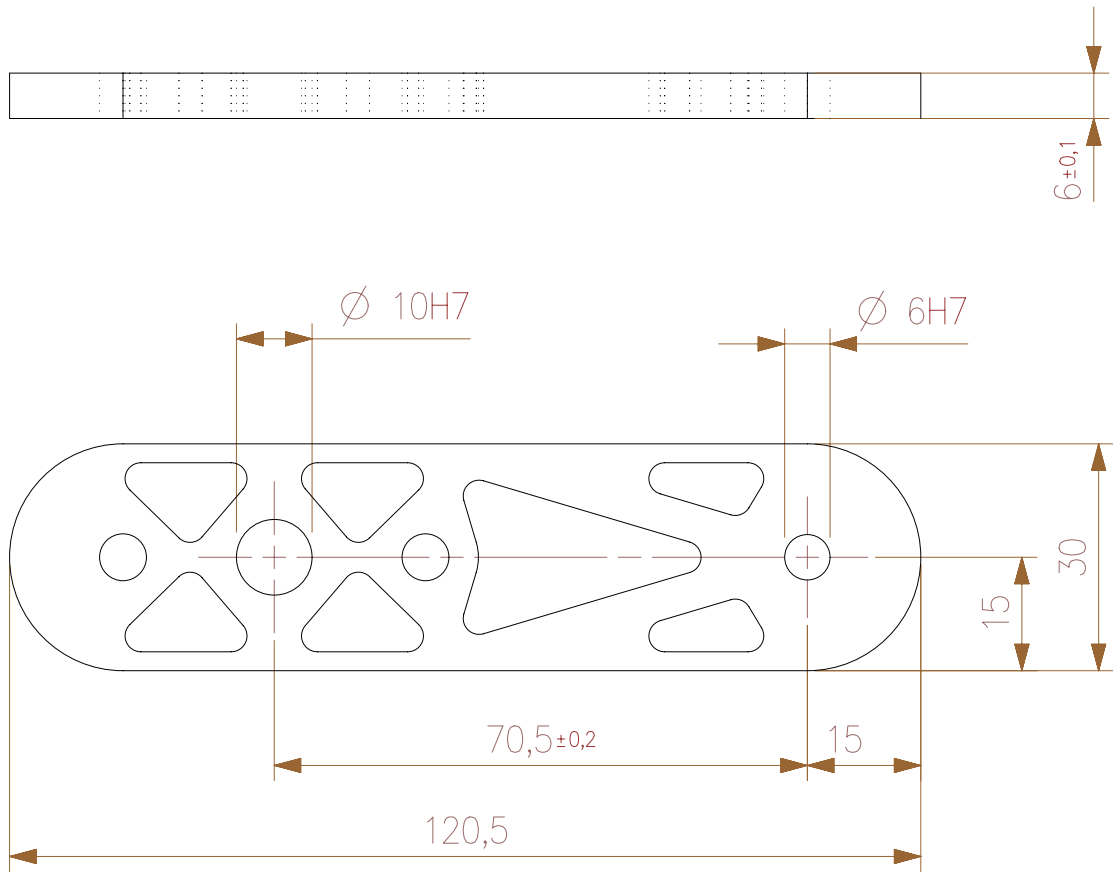
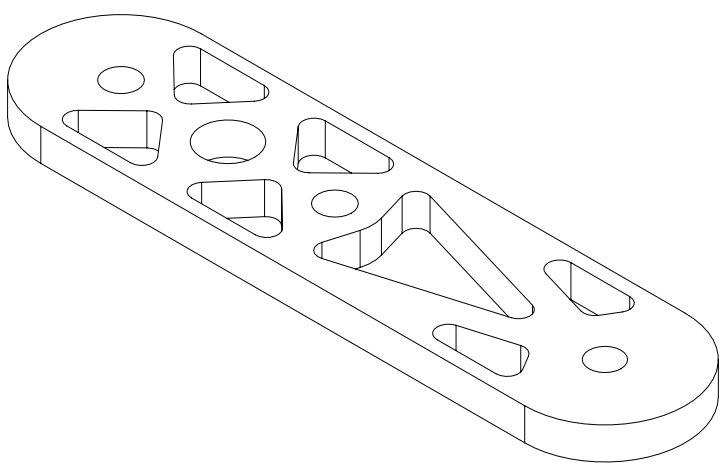
C

B

B

A

A



Material: S235	Dimension:	0.5 thru 3	3 thru 6	6 Thru 30	30 thru 120	120 thru 400	400 thru 1000	
	Tolerance:	±0.1	±0.1	±0.2	±0.3	±0.5	±0.8	
Treatment: Black	GENERAL TOLERANCES according to ISO 2768-mH							
	General Roughness:	12.5 ✓			Scale:	1:1		
Description: Link plate	Unit:	mm						
	Drawn:	ACE				Date:	14-11-2013	
	Approved:	-				Date:	-	
	Status:	-		Version:	1	Date:	14-11-2013	
Document ID:	-			Drawing nr:	5KTA04.003			
				Sheet:	1 of 1		Size: A3	

1 2 3 4

1

2

3

4

F

F

E

E

D

D

C

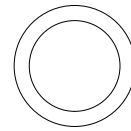
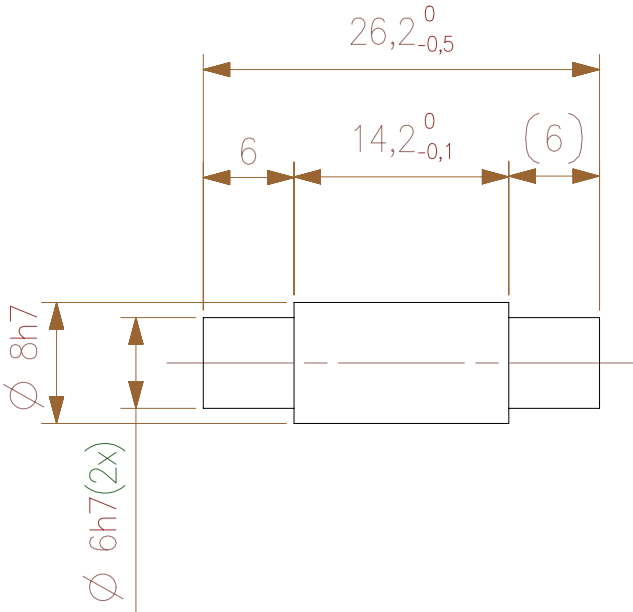
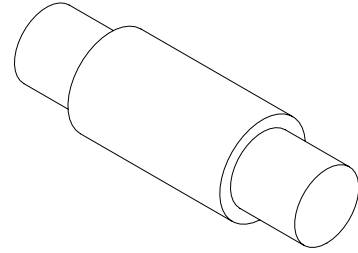
C

B

B

A

A



Material: C45E	Dimension:	0.5 thru 3	3 thru 6	6 Thru 30	30 thru 120	120 thru 400	400 thru 1000
	Tolerance:	±0.1	±0.1	±0.2	±0.3	±0.5	±0.8
Treatment: Anti corrosion protection	GENERAL TOLERANCES according to ISO 2768-mH						
Description: Hinge shaft	General Roughness: 1.6			Scale: 2:1	Unit: mm		
	Drawn: ACE	Approved: -			Date: 14-11-2013	Date: -	
Document ID: -	Status: -	Version: 1		Date: 14-11-2013			
	Drawing nr: 5KTA04.004						
Sheet: 1 of 1				Size: A4			

1

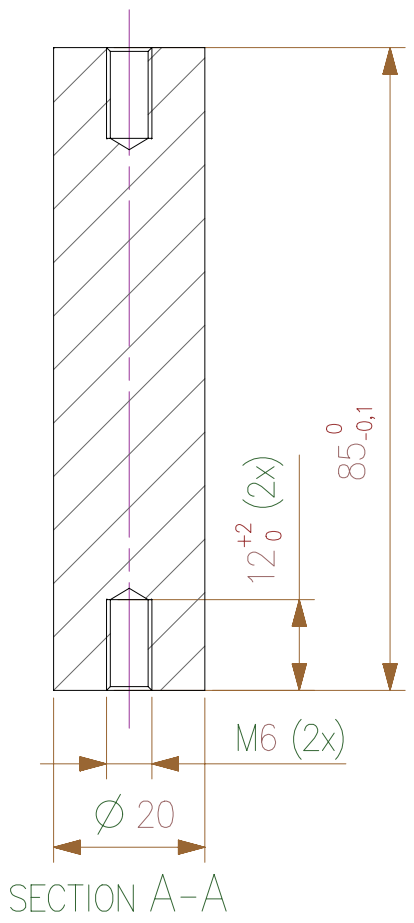
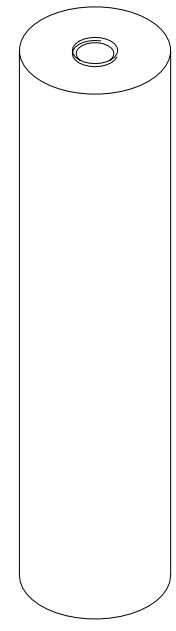
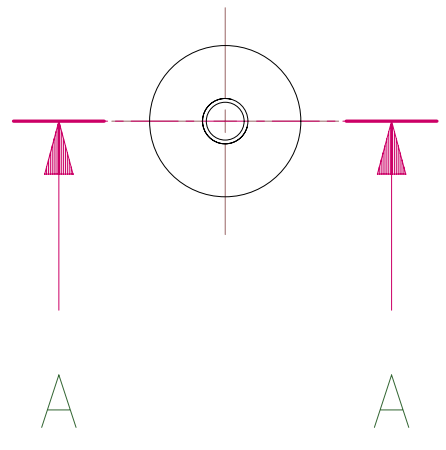
2

3

4

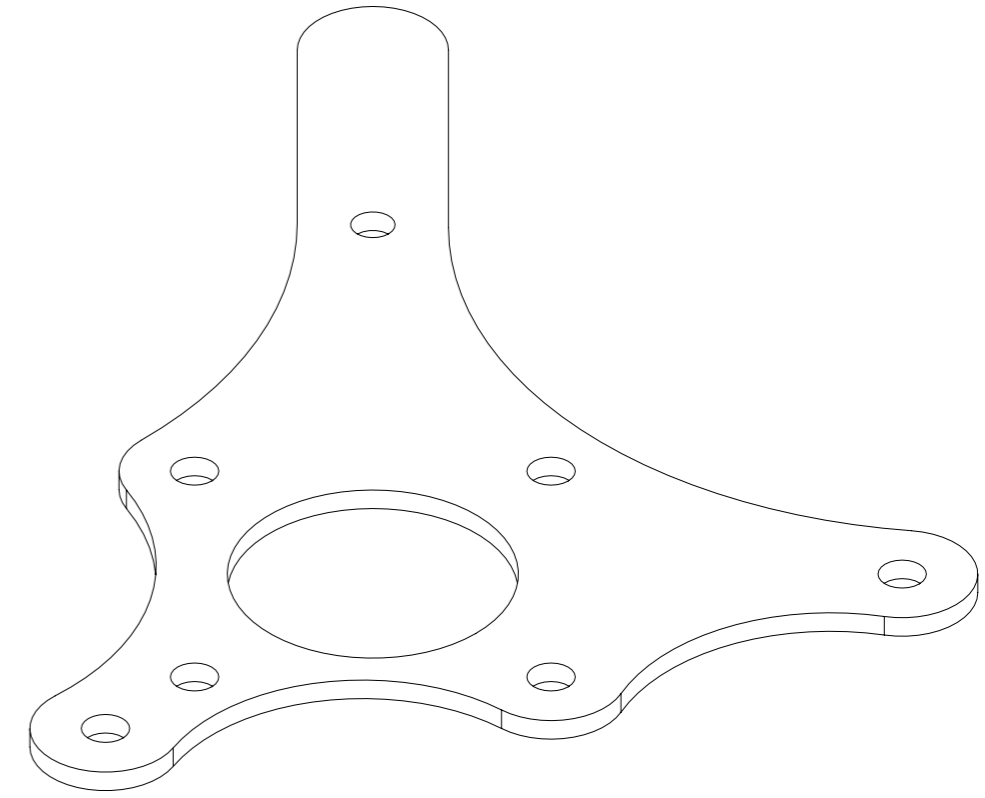
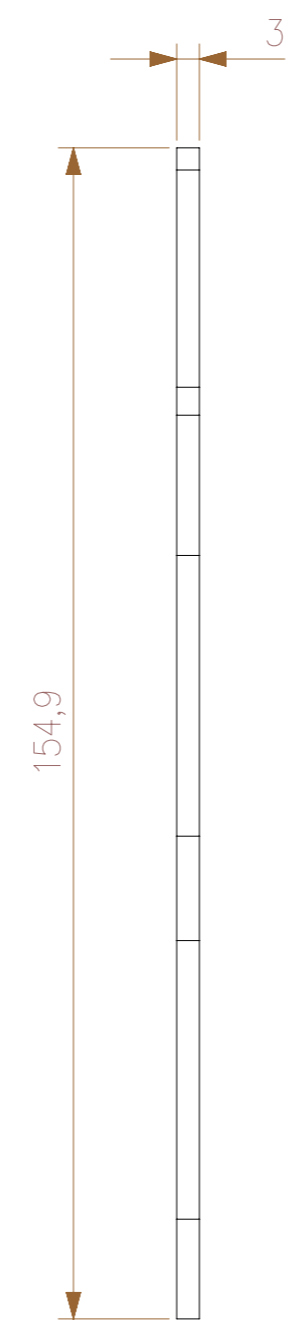
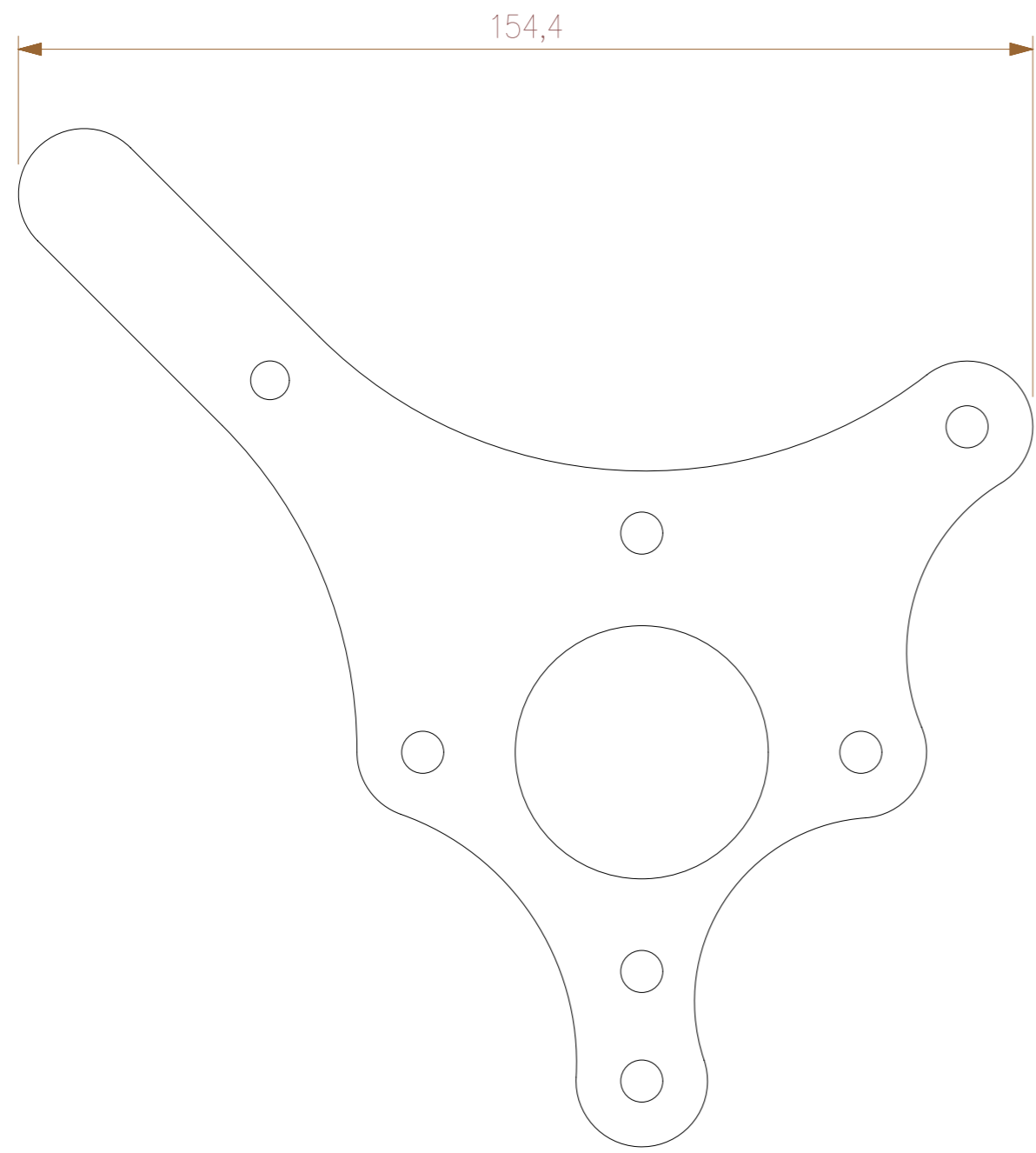
1 2 3 4

F
E
D
C
B
A

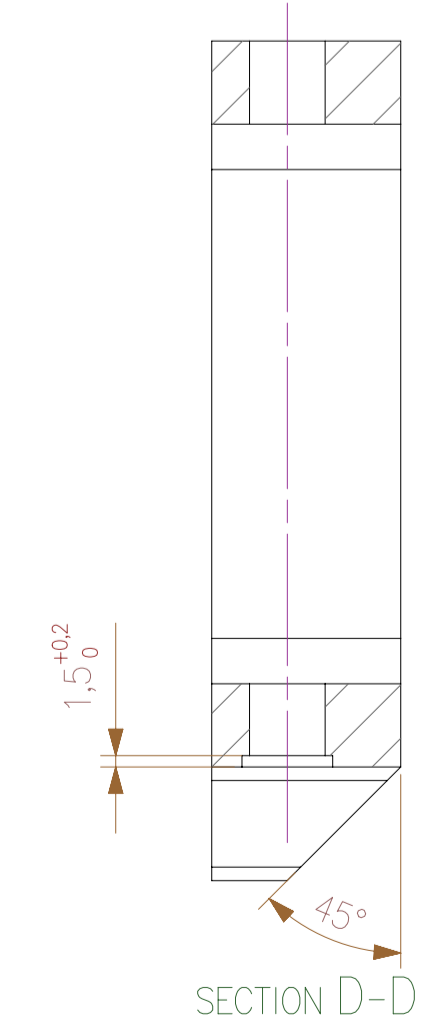
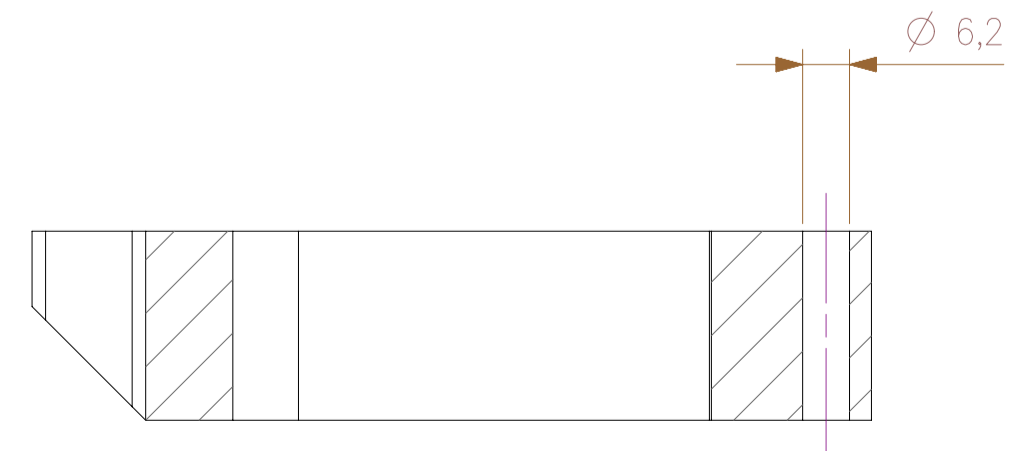
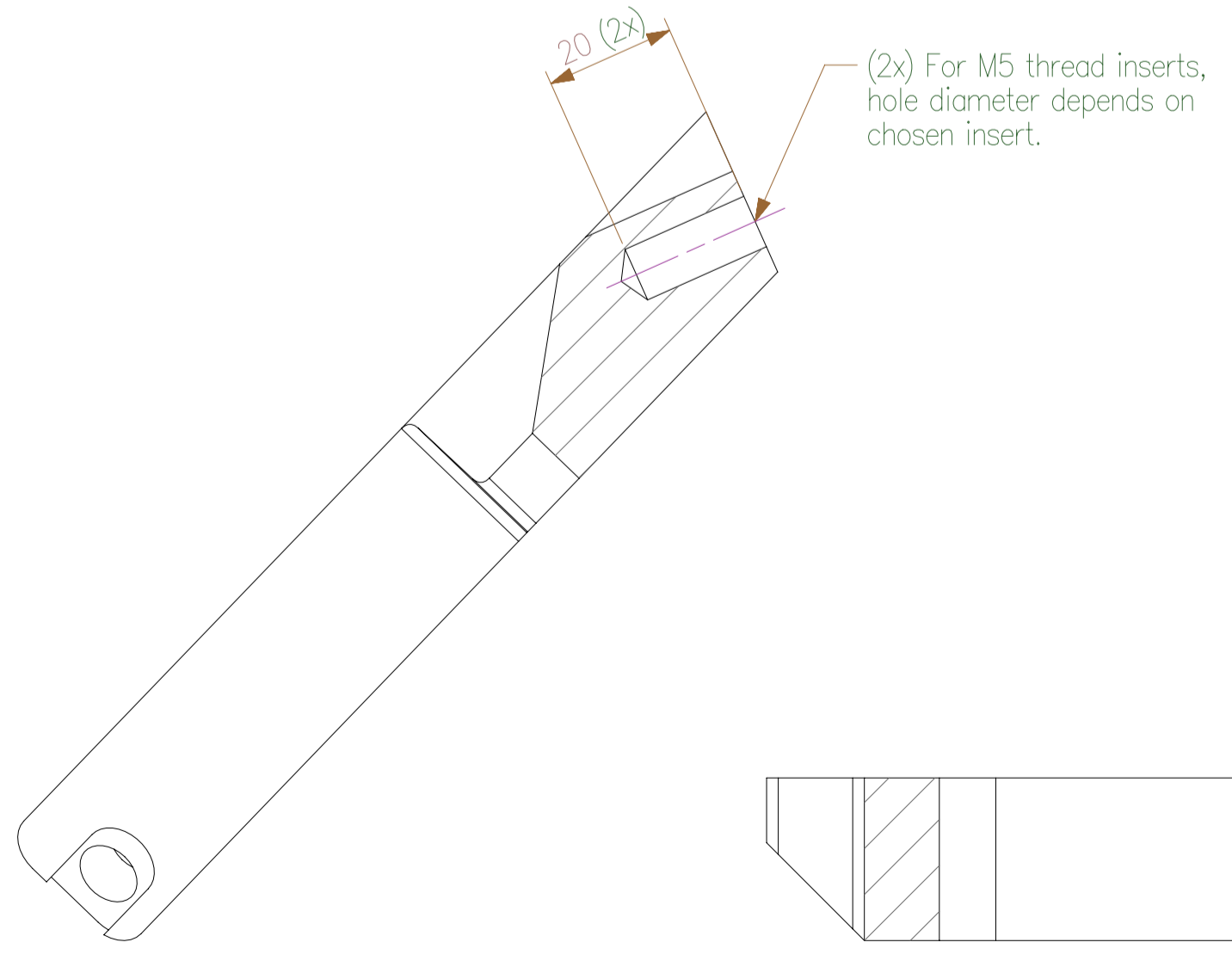
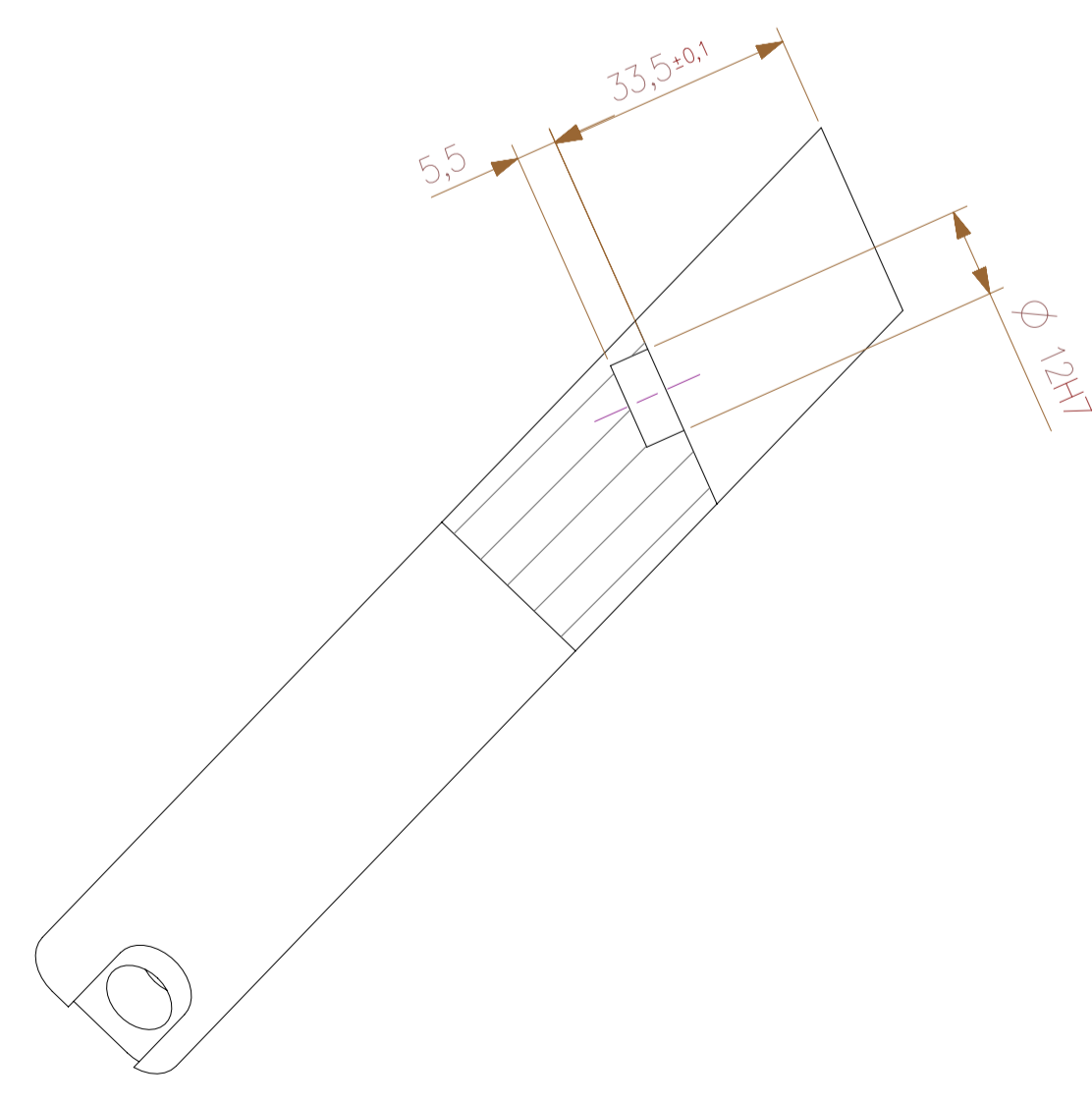
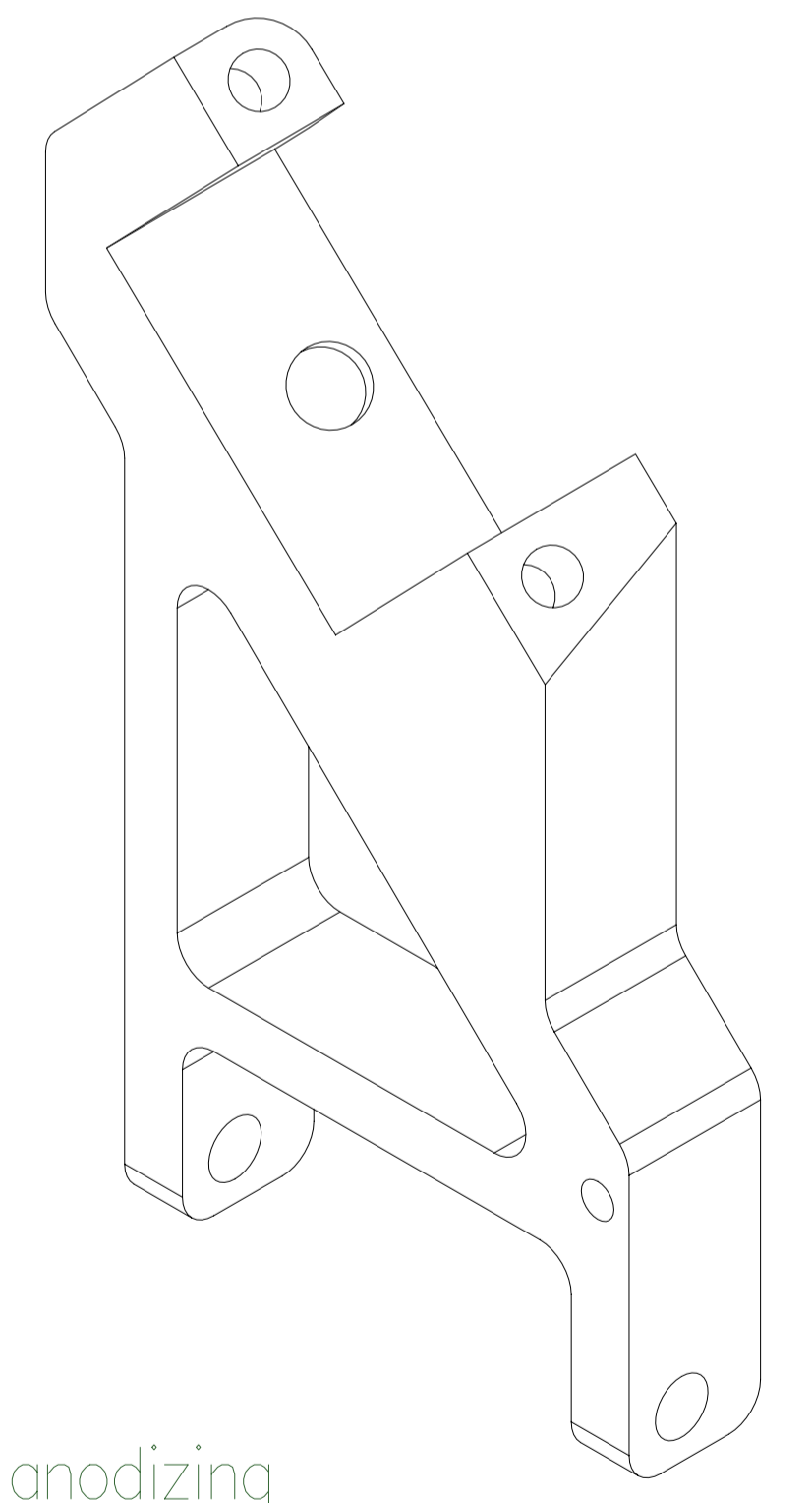
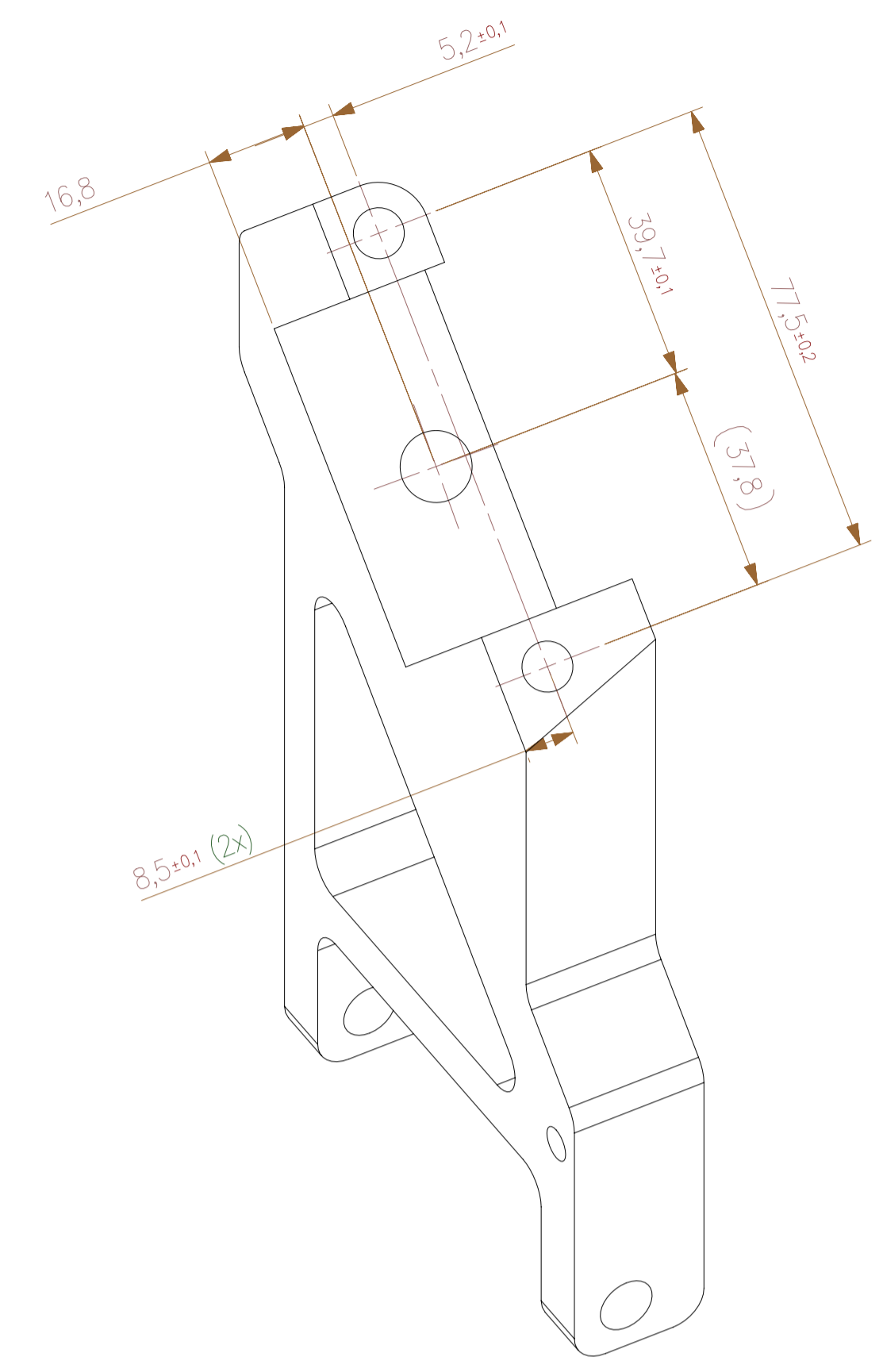
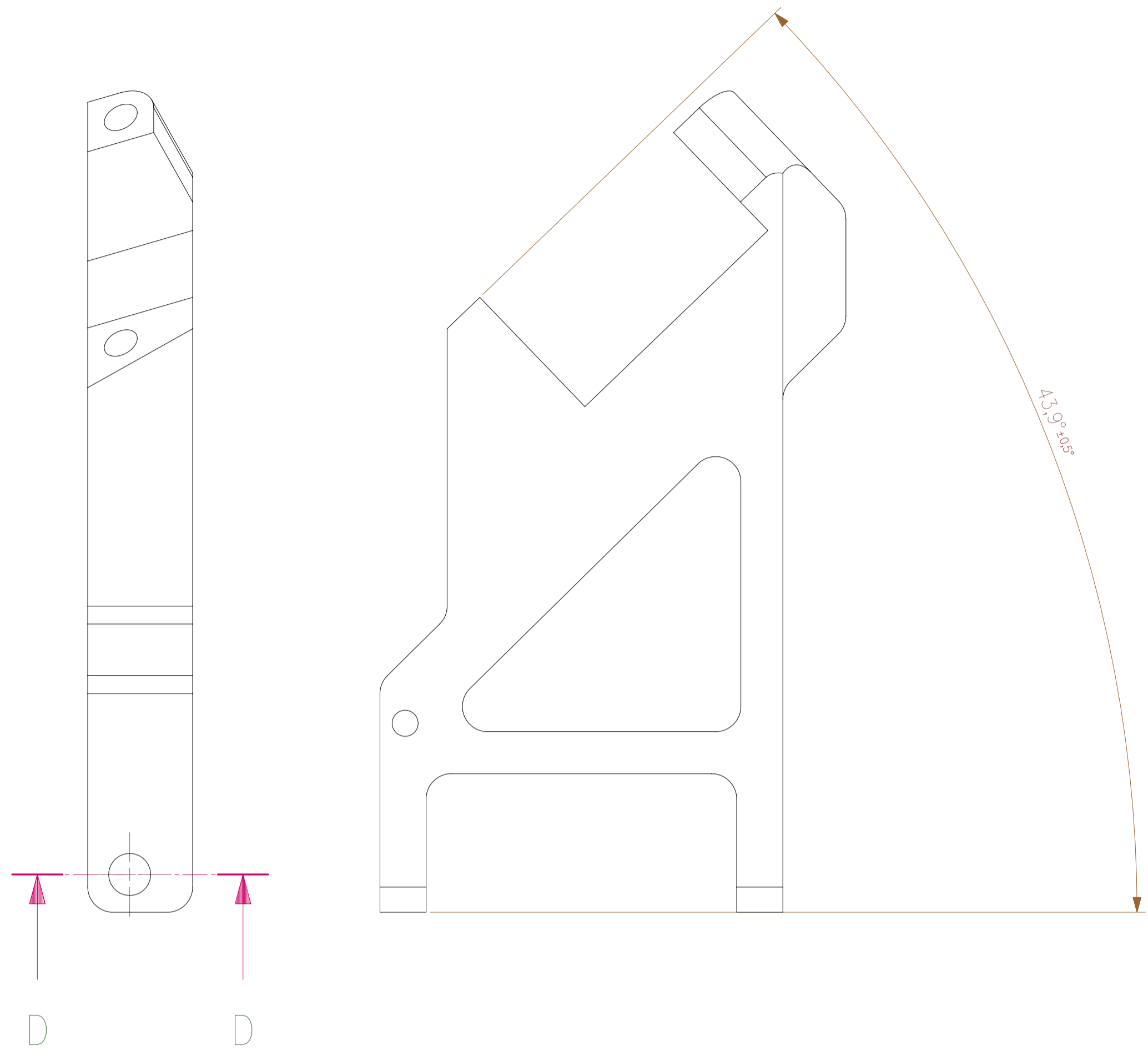
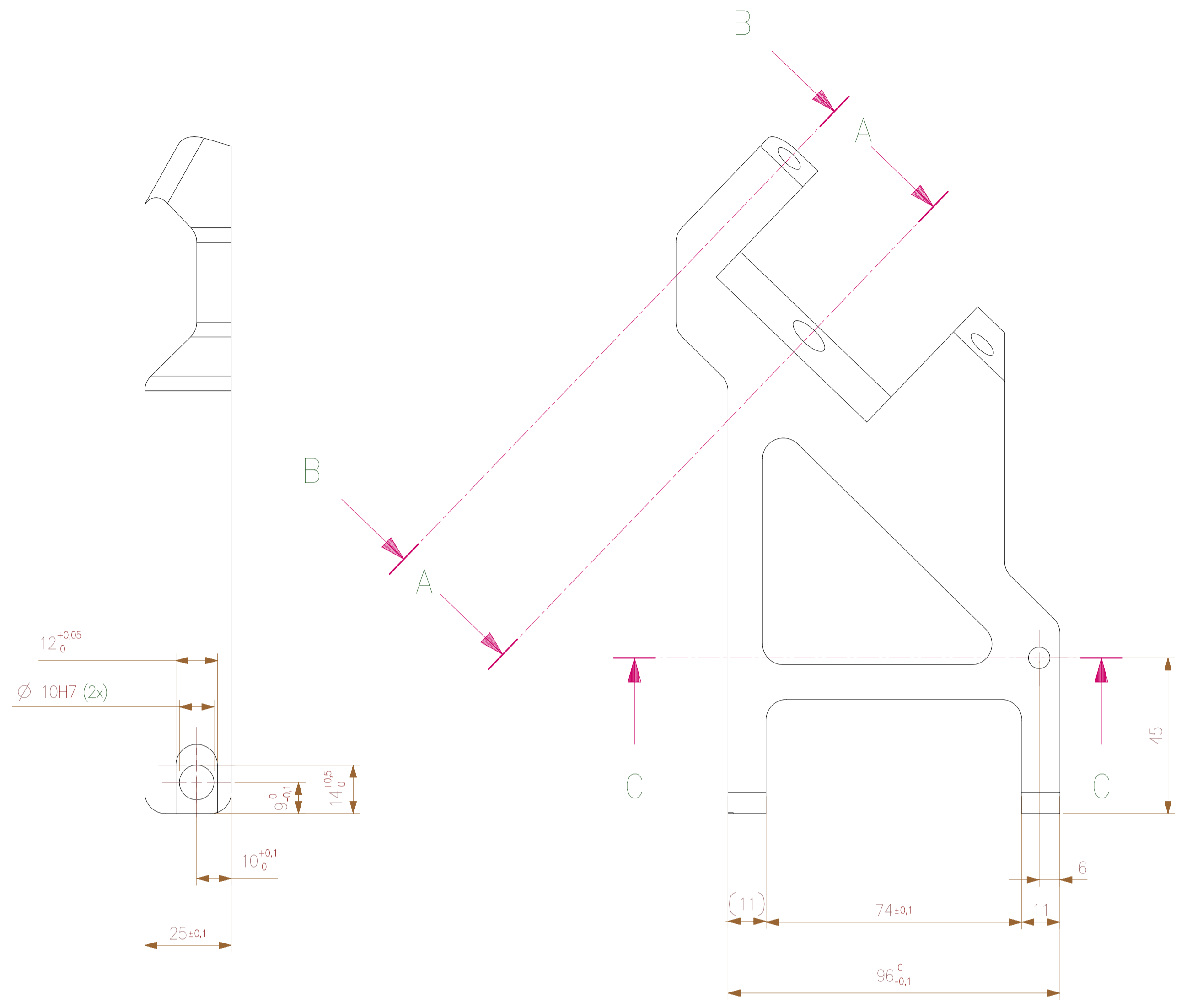


Material:	Aluminum	Dimension:	0.5 thru 3	3 thru 6	6 Thru 30	30 thru 120	120 thru 400	400 thru 1000		
	Treatment:	Black anodized	Tolerance:	±0.1	±0.1	±0.2	±0.3	±0.5	±0.8	
			GENERAL TOLERANCES according to ISO 2768-mH							
			General Roughness:	12.5		Scale:	1:1			
						Unit:	mm			
			Drawn:	ACE			Date:	14-11-2013		
			Approved:	-			Date:	-		
Description:			End stop shaft			Status:	-		Date:	-
						Status:	-	Version:	1	Date:
			Drawing nr:			5KTA04.005				
Document ID:			-			Sheet:	1 of 1		Size:	A3

1 2 3 4



Material:	Aluminum	Dimension:	0,5 thru 3	3 thru 6	6 Thru 30	30 thru 120	120 thru 400	400 thru 1000
Treatment:	Black anodized	Tolerance:	±0.1	±0.1	±0.2	±0.3	±0.5	±0.8
		GENERAL TOLERANCES according to ISO 2768-mH						
		General Roughness:	12.5			Scale:	1:1	
						Unit:	mm	
		Drawn:	ACE		Date:		15-11-2013	
		Approved:	-		Date:		-	
		Status:	-		Version:	1	Date: 15-11-2013	
Description:		Motor mount			Drawing nr: 5KTA05.001			
Document ID:	-			Sheet:	1 of 1		Size: A3	



Insert thread inserts AFTER anodizing

Material:	Aluminum 6061-T6 or 6082-T6	Dimension:	0.5 mm	3 mm	6 mm	30 mm	120 mm	400 mm		
Treatment:	Black anodized	Tolerance:	± 0.1	± 0.1	± 0.2	± 0.3	± 0.5	± 0.8		
General Roughness:	3.2	GENERAL TOLERANCES according to ISO 2768-mH								
Scale:	1:1	Unit:	mm							
Drawn:	ACE	Date:	15-11-2013							
Approved:	-	Date:	-							
Status:	-	Version:	1							
Drawing nr:	5KTA06.001									
Document ID:	-	Sheet:	1 of 1						Size:	A1

1 2 3 4

F

F

E

E

D

D

C

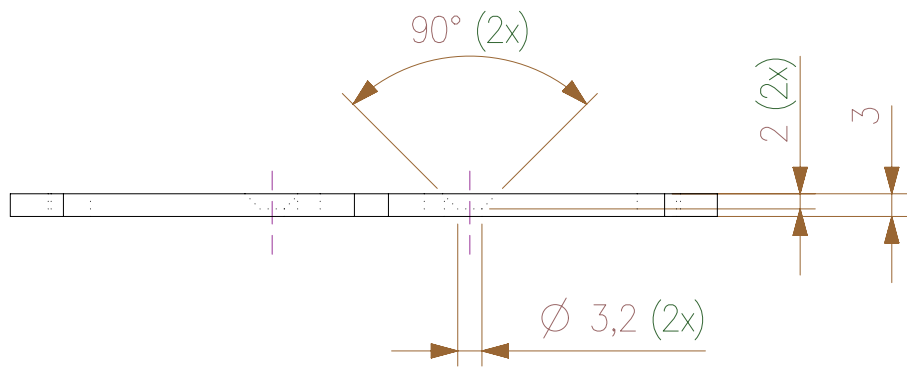
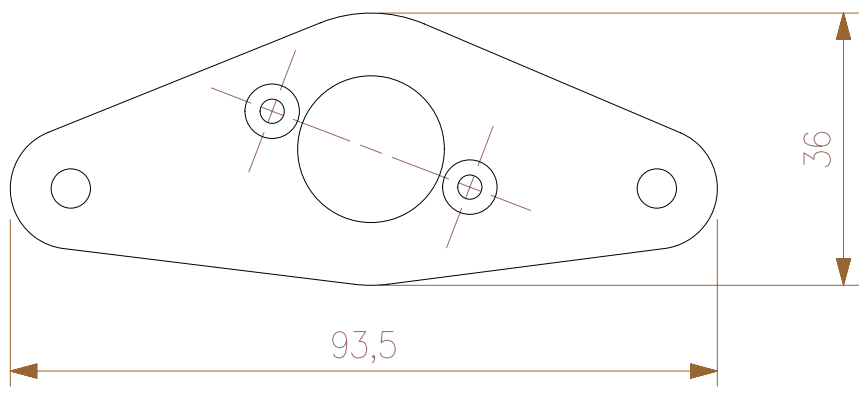
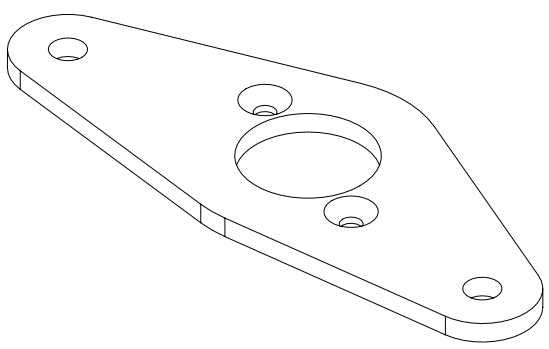
C

B

B

A

A



Material:	Aluminum	Dimension:	0.5 thru 3	3 thru 6	6 Thru 30	30 thru 120	120 thru 400	400 thru 1000		
	Treatment:	Black anodized	Tolerance:	±0.1	±0.1	±0.2	±0.3	±0.5	±0.8	
			GENERAL TOLERANCES according to ISO 2768-mH							
			General Roughness:	12.5			Scale:	1:1		
						Unit:	mm			
			Drawn:	ACE			Date:	14-11-2013		
			Approved:	-			Date:	-		
Description:			Status:	-		Version:	1	Date:	14-11-2013	
			Drawing nr:			5KTA06.002				
Document ID:			-			Sheet:	1 of 1		Size:	A4

1 2 3 4

1

2

3

4

F

F

E

E

D

D

C

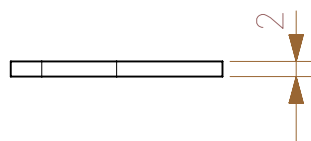
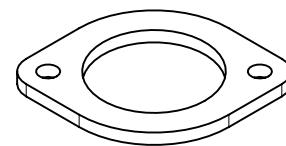
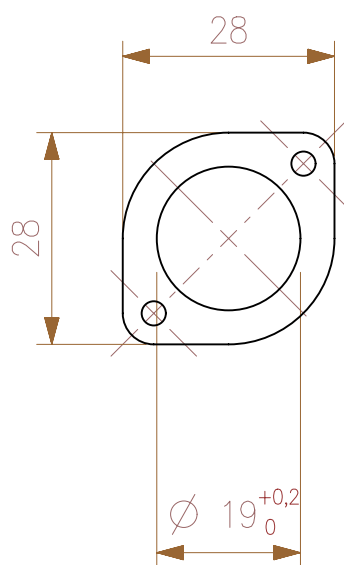
C

B

B

A

A



Material:	Aluminum	Dimension:	0.5 thru 3	3 thru 6	6 Thru 30	30 thru 120	120 thru 400	400 thru 1000			
		Tolerance:	±0.1	±0.1	±0.2	±0.3	±0.5	±0.8			
Treatment:	-	GENERAL TOLERANCES according to ISO 2768-mH									
Description:	Coverplate bottom	General Roughness:	12.5			Scale:	1:1				
		Unit:	mm								
Document ID:	-	Drawn:	ACE				Date:	14-11-2013			
		Approved:	-				Date:	-			
		Status:	-		Version:	1		Date:	14-11-2013		
		Drawing nr:	5KTA06.003								
Sheet:	1 of 1		Size:	A4							

1

2

3

4

1

2

3

4

F

F

E

E

D

D

C

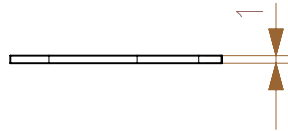
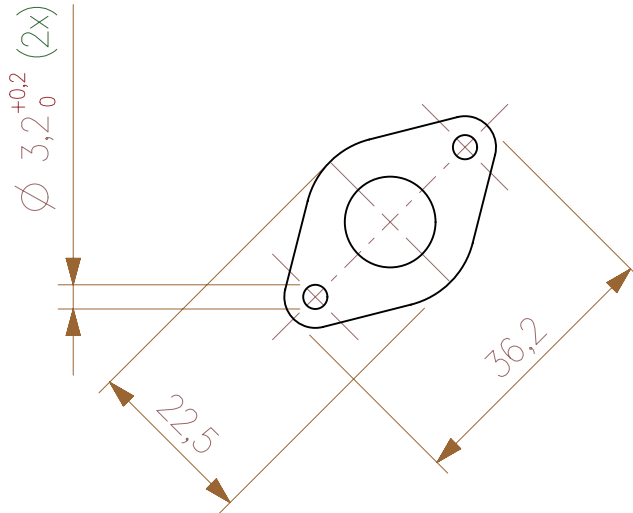
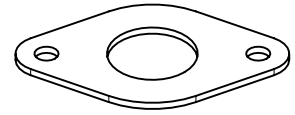
C

B

B

A

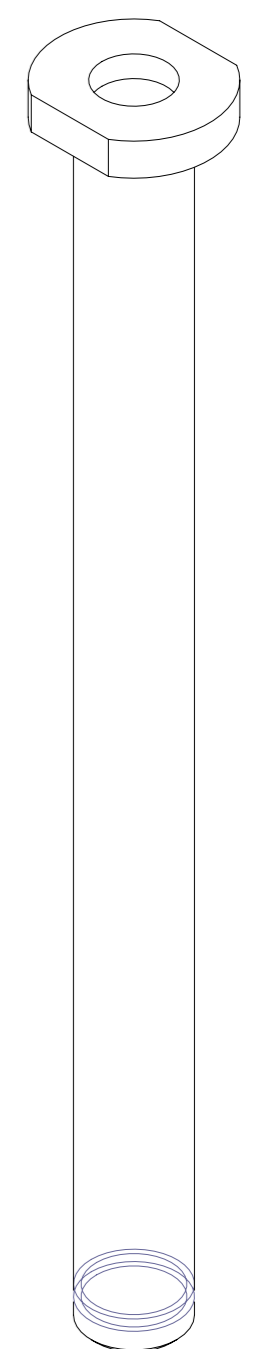
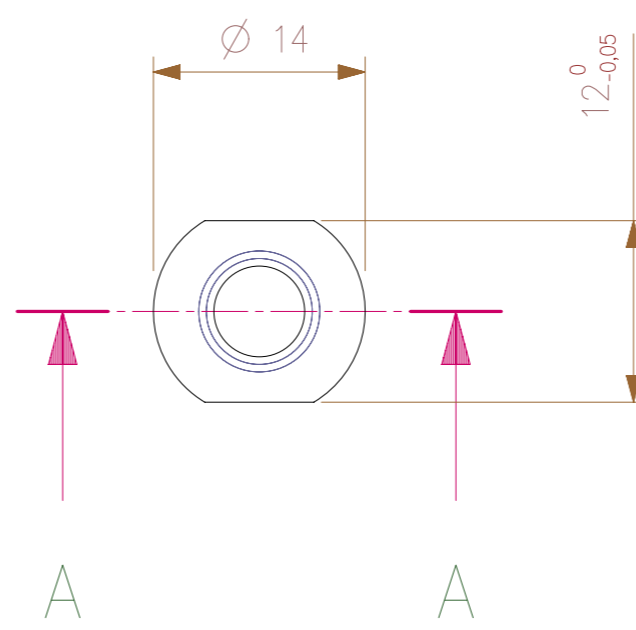
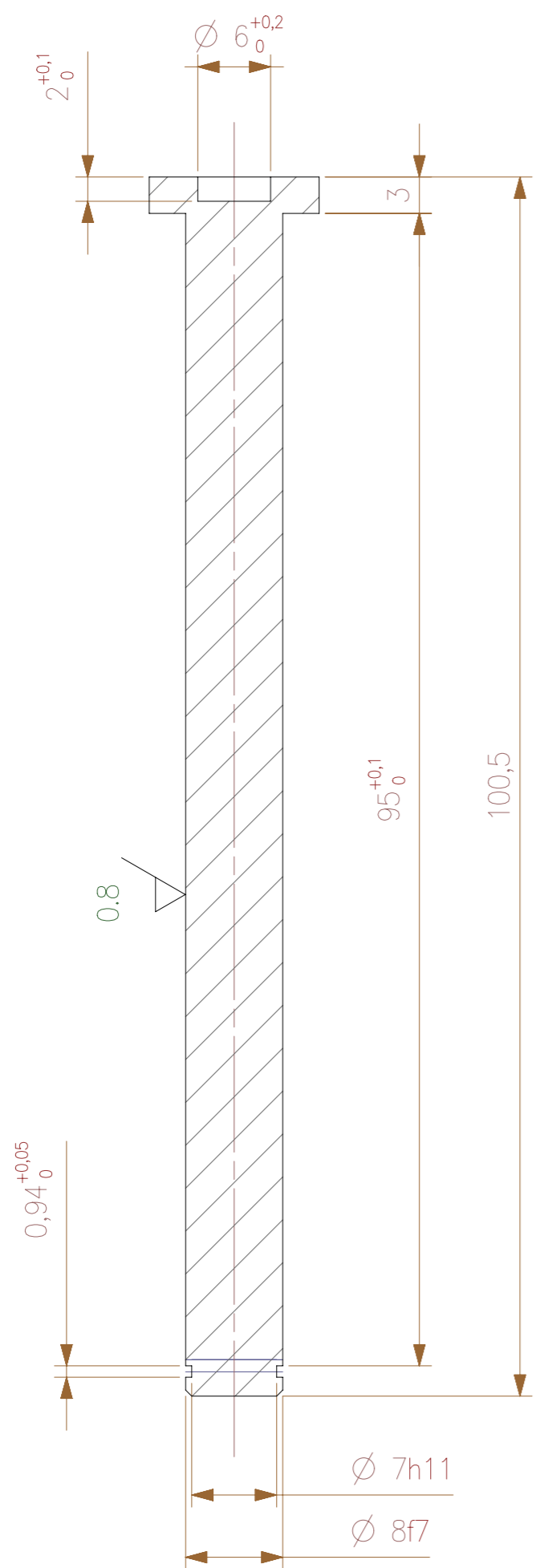
A



Material:	Aluminum
Treatment:	-
Description:	Coverplate top
Document ID:	-

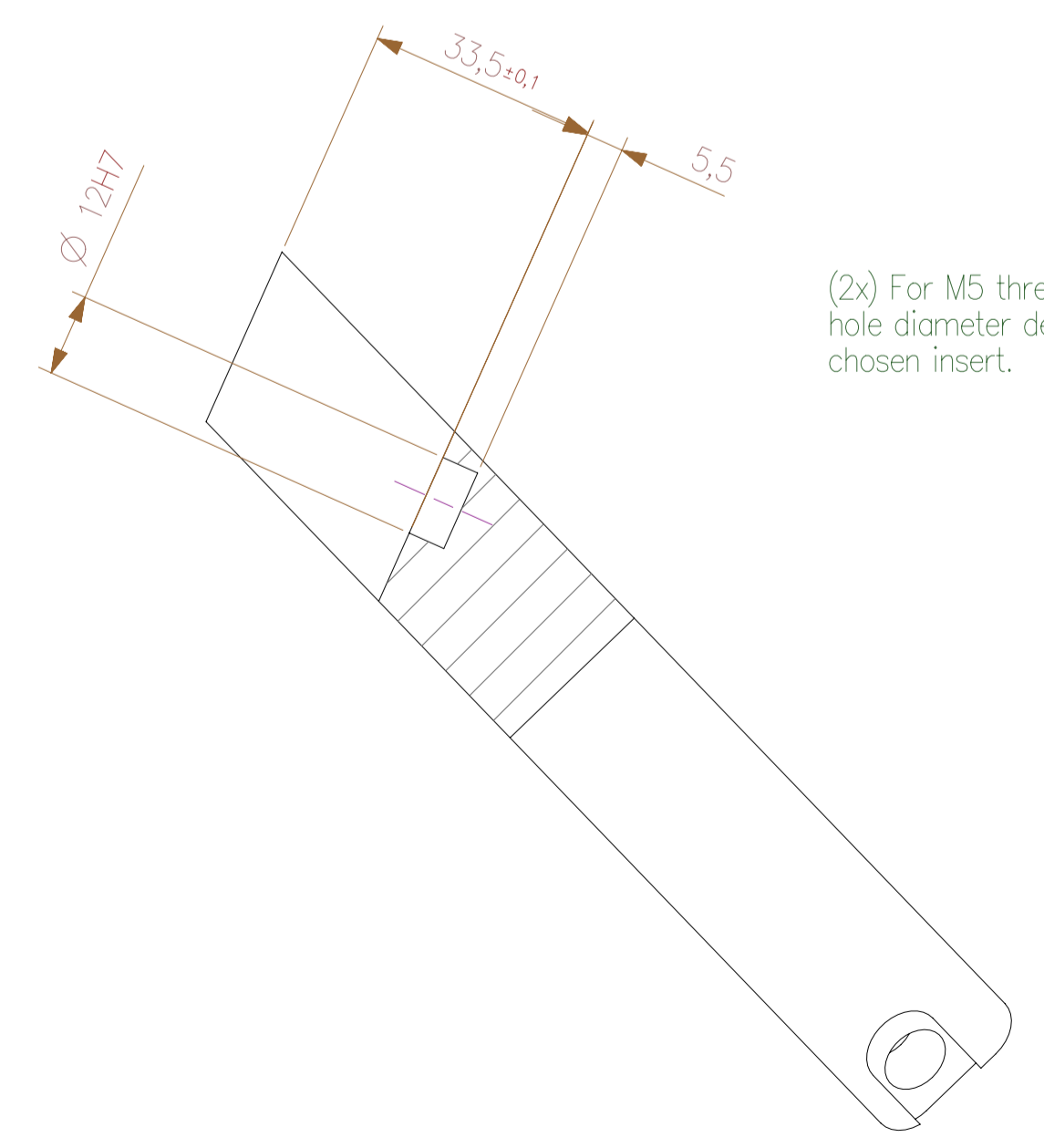
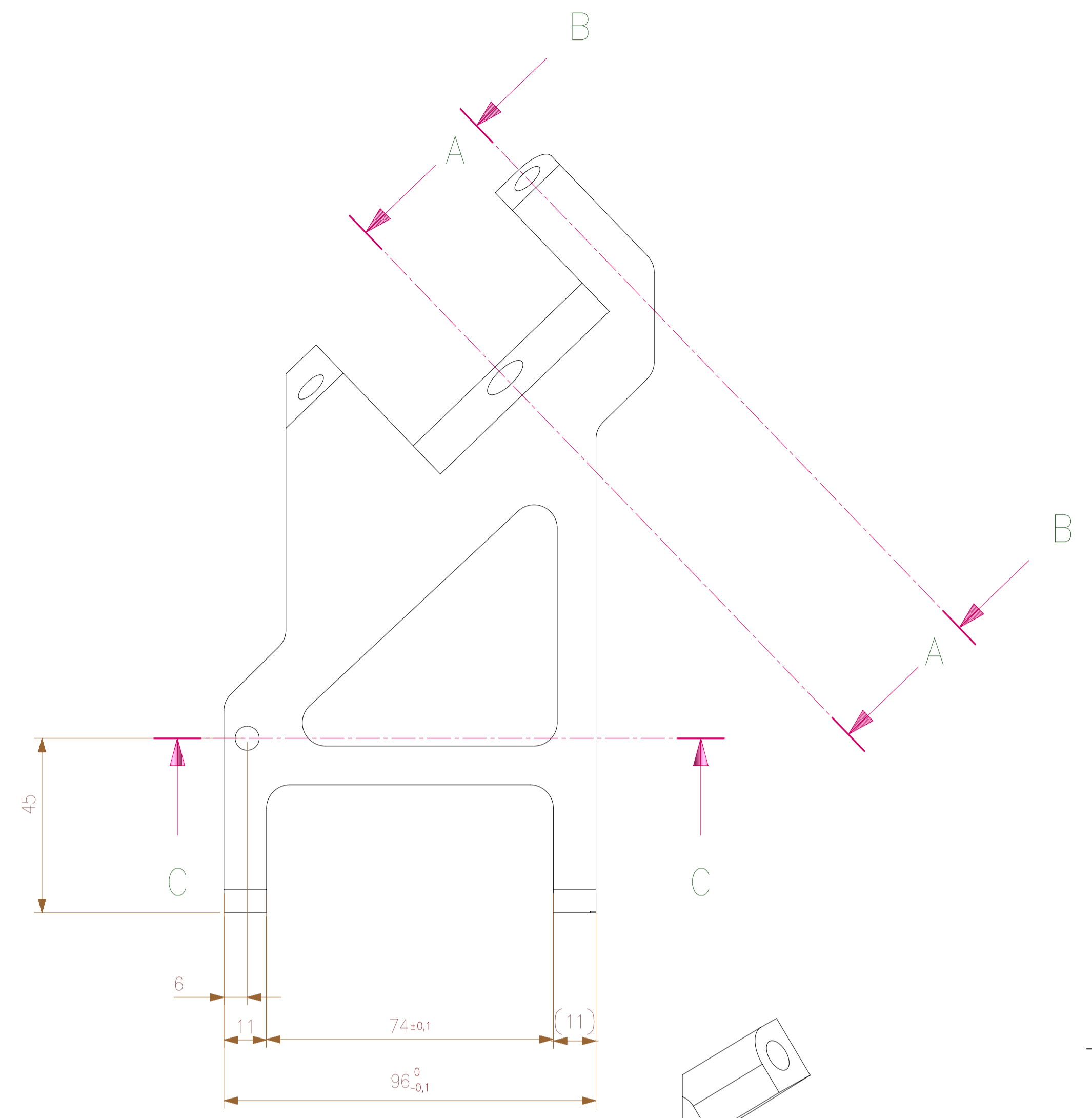
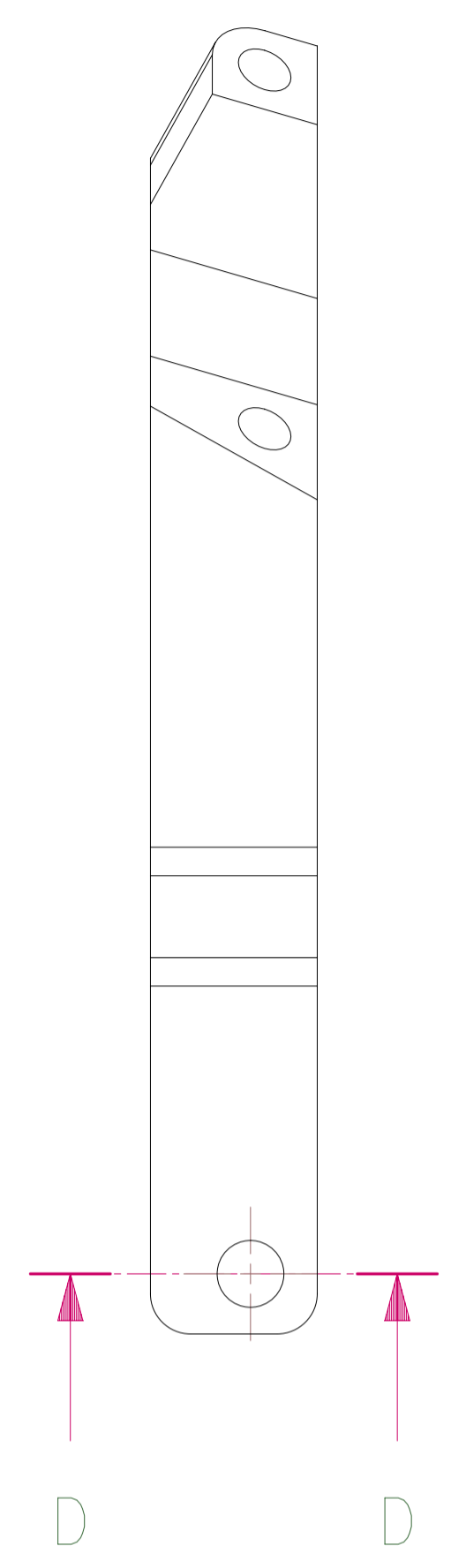
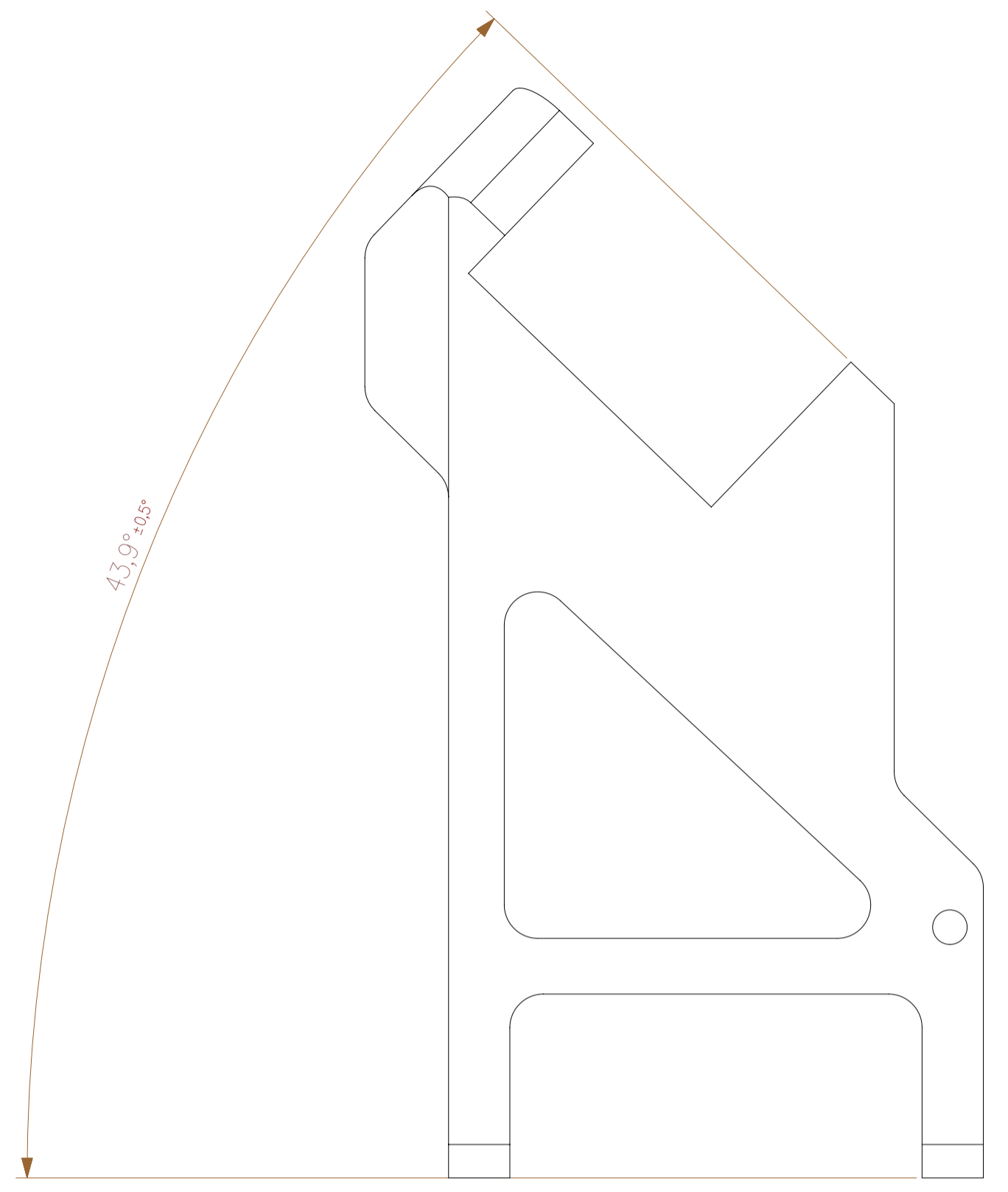
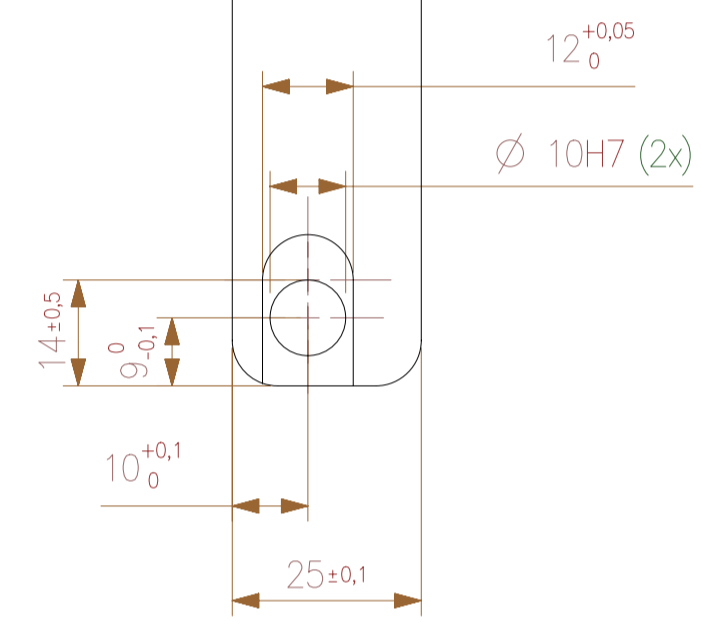
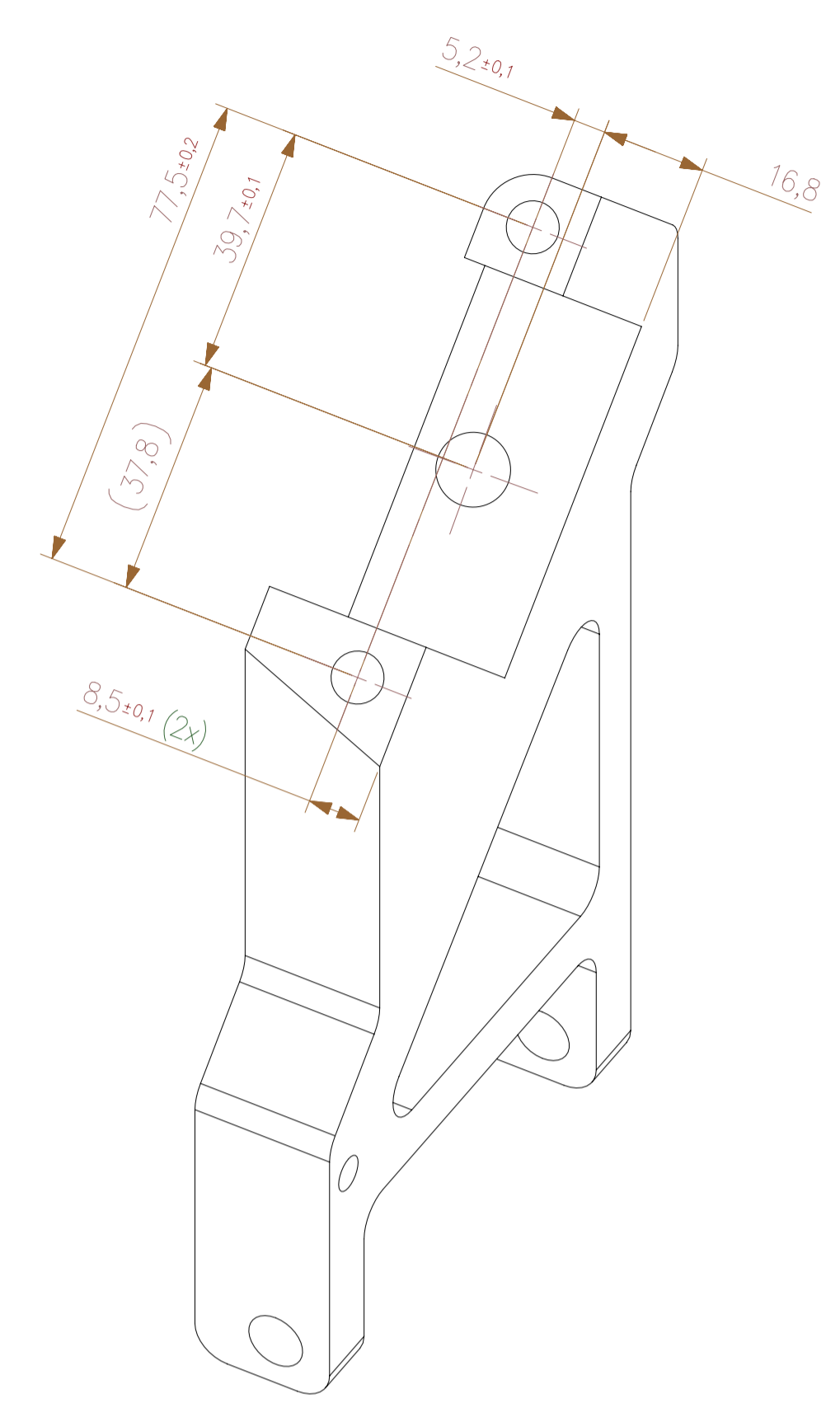
Dimension:	0.5 thru 3	3 thru 6	6 Thru 30	30 thru 120	120 thru 400	400 thru 1000	
Tolerance:	±0.1	±0.1	±0.2	±0.3	±0.5	±0.8	
GENERAL TOLERANCES according to ISO 2768-mH							
General Roughness:	12.5			Scale:	1:1		
Unit:	mm						
Drawn:	ACE			Date:	14-11-2013		
Approved:	-			Date:	-		
Status:	-		Version:	1		Date:	14-11-2013
Drawing nr:	5KTA06.004						

Sheet:	1 of 1	Size:	A4
--------	--------	-------	----

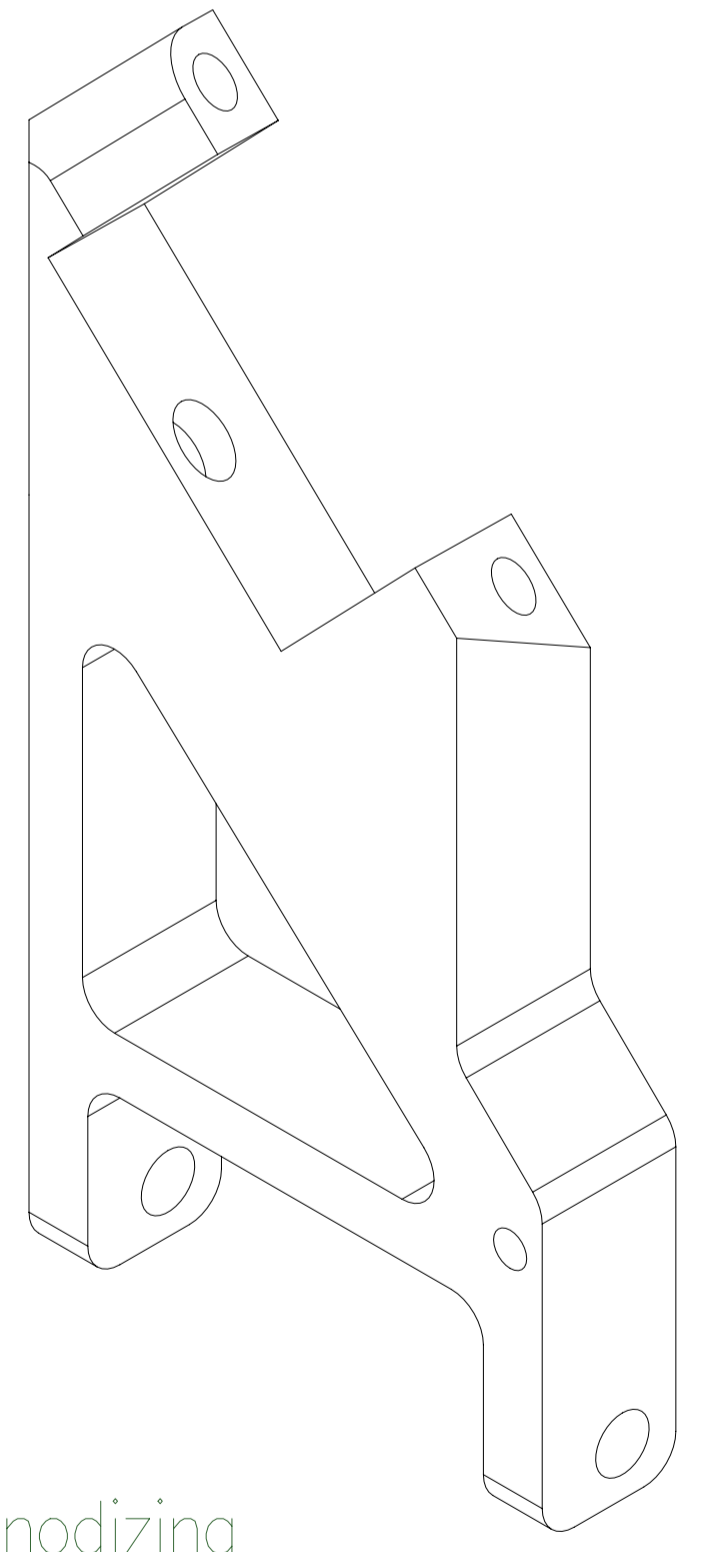
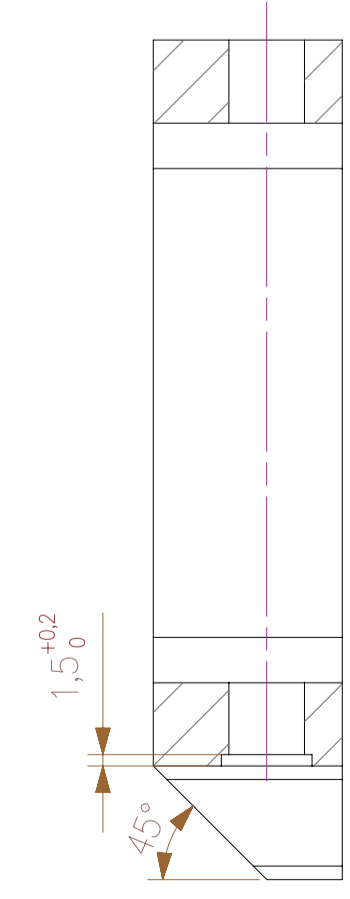
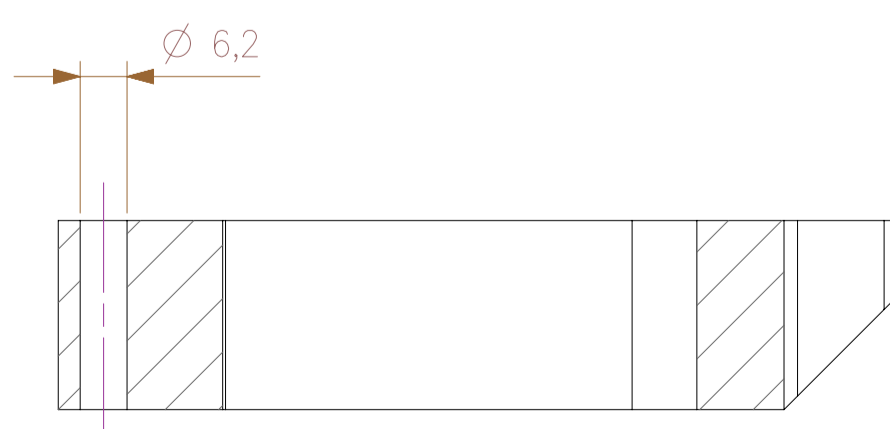
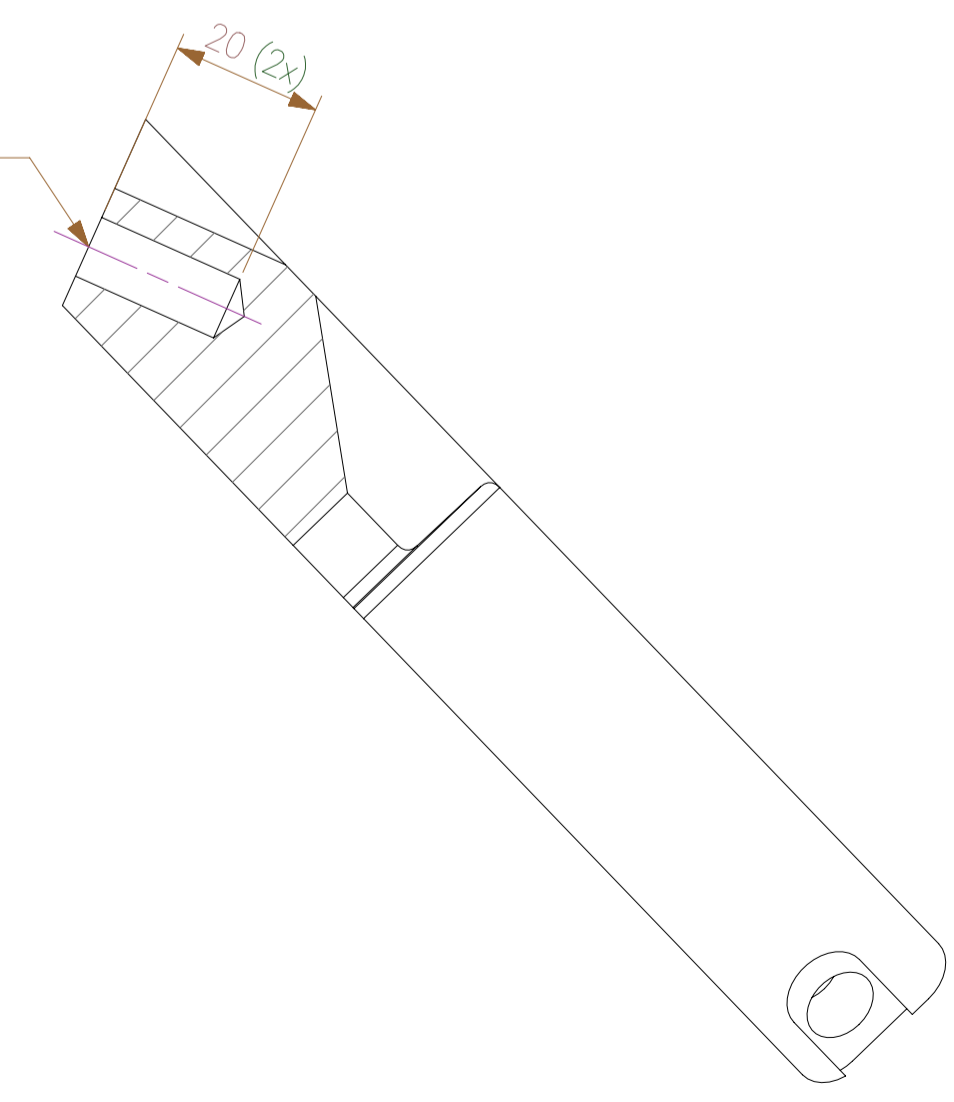


SECTION A-A

Material:	C45E					
Treatment:	Anti corrosion protection					
Dimension:	0.5 thru 3	3 thru 6	6 Thru 30	30 thru 120	120 thru 400	400 thru 1000
Tolerance:	±0.1	±0.1	±0.2	±0.3	±0.5	±0.8
GENERAL TOLERANCES according to ISO 2768-mH						
General Roughness:	3.2			Scale:	2:1	
Drawn:	ACE			Unit:	mm	
Approved:	-			Date:	14-11-2013	
Description:	Magnet shaft			Status:	-	Date: 14-11-2013
Document ID:	-			Version:	1	Date: 14-11-2013
				Drawing nr:	KTA06.005	
				Sheet:	1 of 1	Size: A3



(2x) For M5 thread inserts, hole diameter depends on chosen insert.



Insert thread inserts AFTER anodizing

SECTION A-A

SECTION B-B

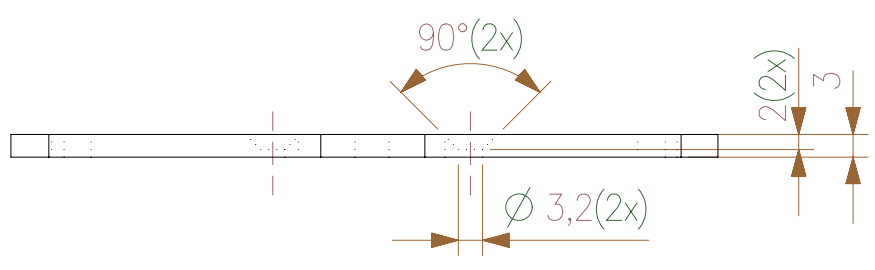
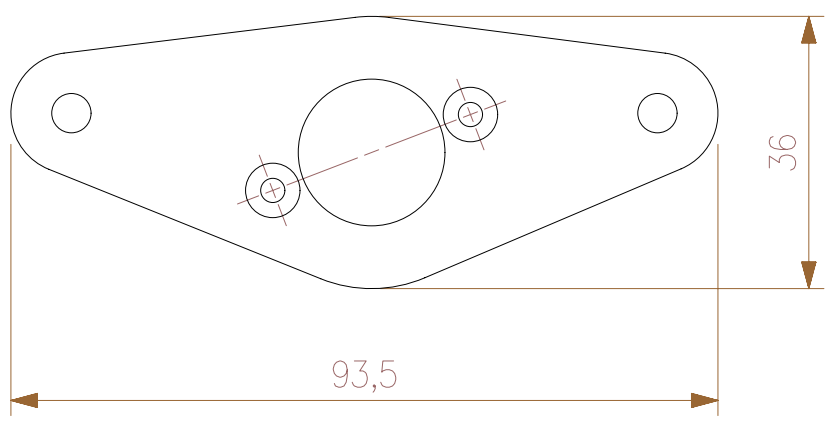
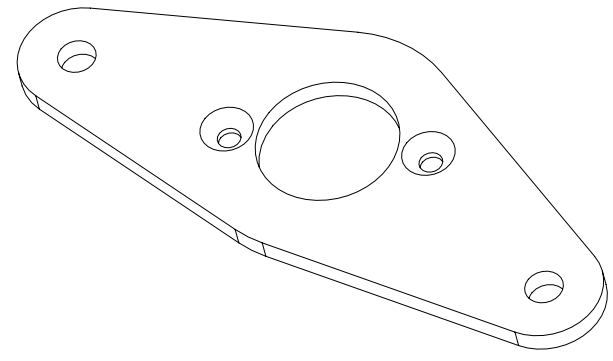
SECTION C-C

SECTION D-D

Material:	Aluminum 6061-T6 or 6082-T6	Dimension:	0.5 1/16	3 1/8	6 1/4	30 1 1/2	120 4 3/4	400 15 3/4
Treatment:	Black anodized	Tolerance:	±0.1	±0.1	±0.2	±0.3	±0.5	±0.8
General Roughness:	3.2	GENERAL TOLERANCES according to ISO 2768-mH						
Scale:	1:1	Drawn:	ACE	Date:	15-11-2013			
Description:	Right arm	Approved:	-	Date:	-			
Status:	-	Version:	1	Date:	15-11-2013			
Document ID:	-	Sheet:	1 of 1	Size:	A1			

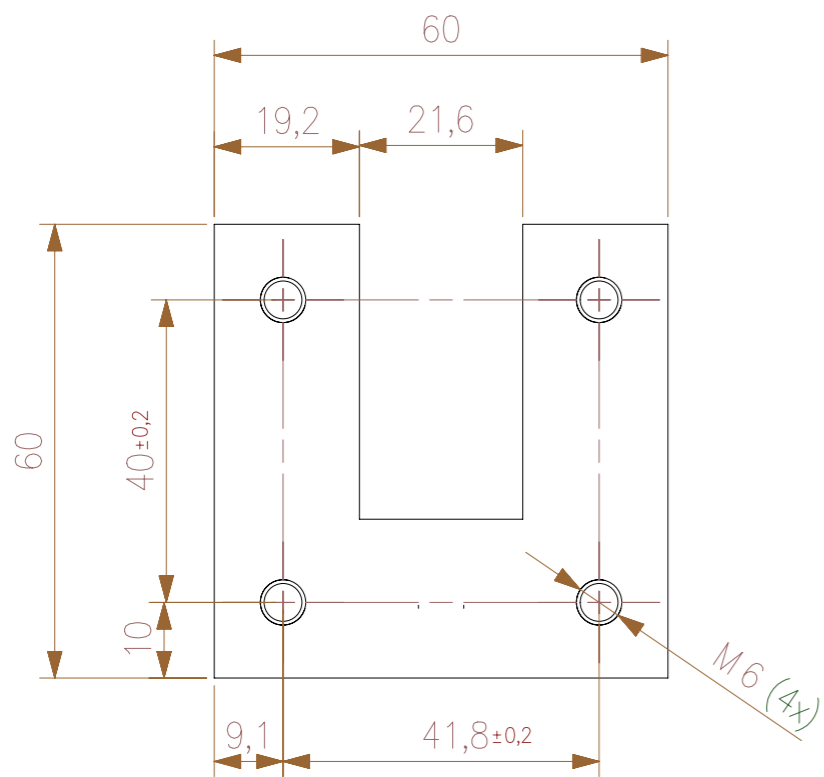
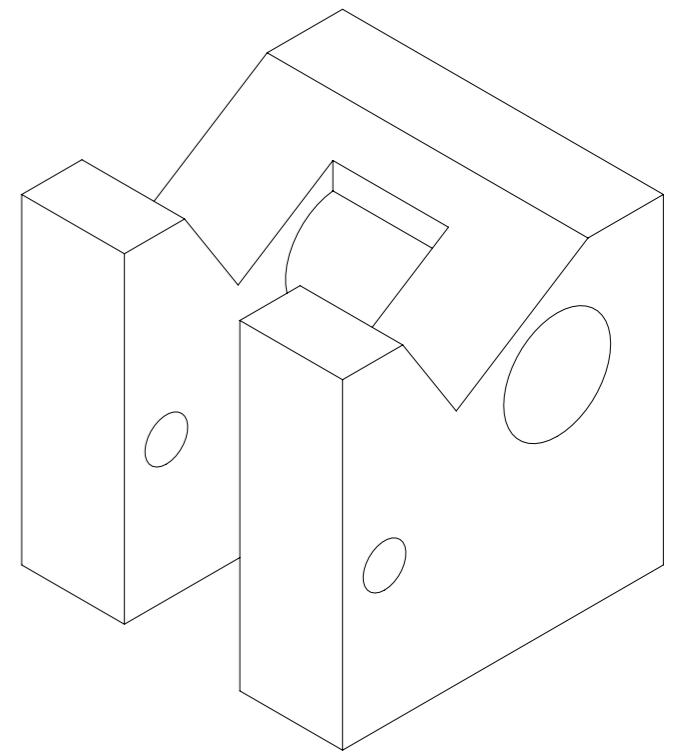
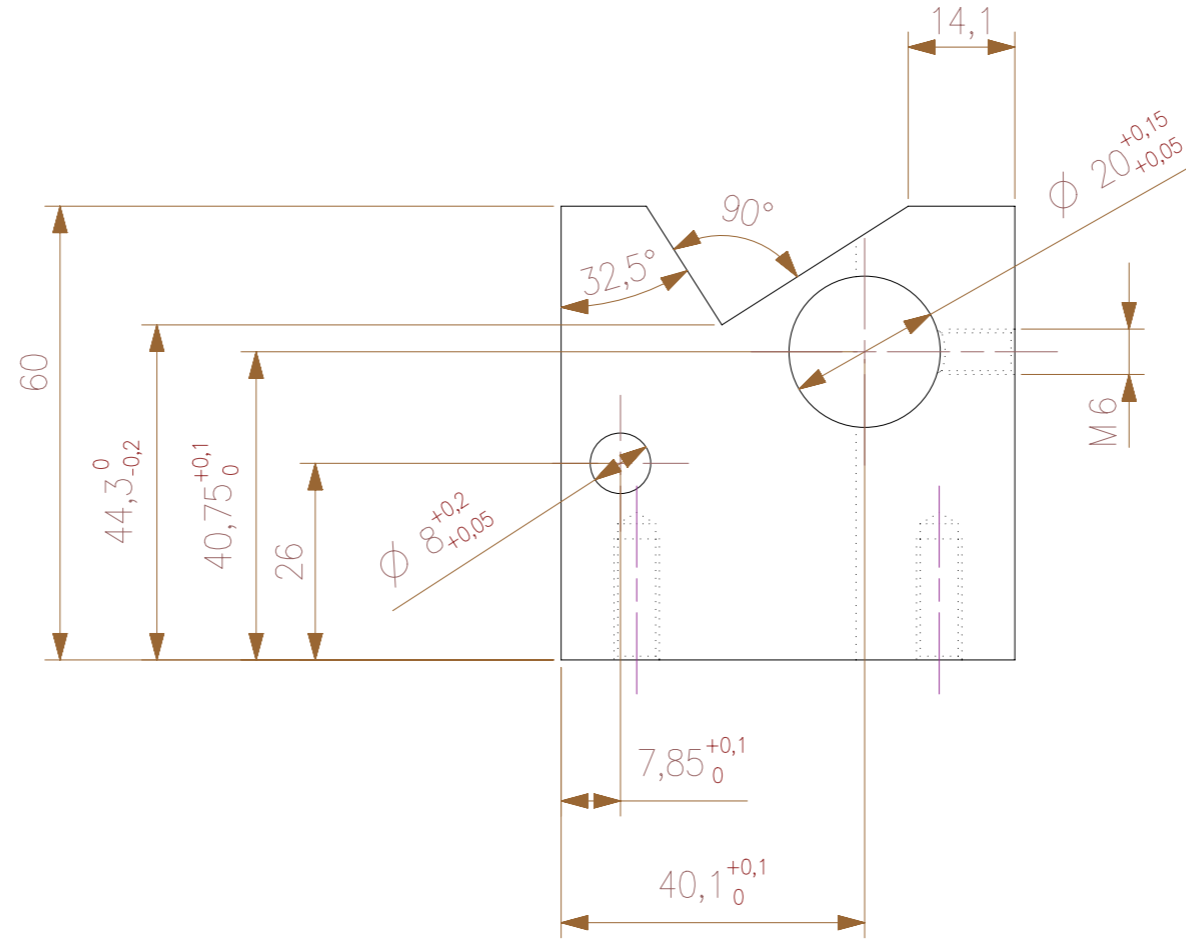
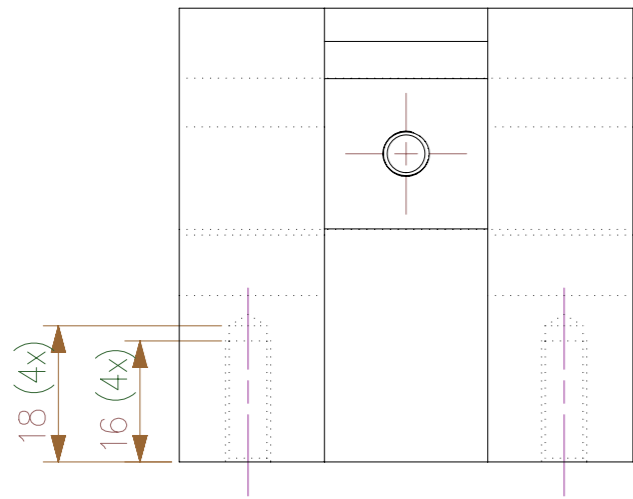
1 2 3 4

F
E
D
C
B
A



Material:	Aluminum	Dimension:	0.5 thru 3	3 thru 6	6 Thru 30	30 thru 120	120 thru 400	400 thru 1000
	Treatment:	Black anodized	Tolerance:	±0.1	±0.1	±0.2	±0.3	±0.5
			GENERAL TOLERANCES according to ISO 2768-mH					
			General Roughness: 12.5			Scale: 1:1		
			Drawn: ACE			Unit: mm		
			Approved: -			Date: 14-11-2013		
Description:	Right plate		Status: -			Version: 1	Date: 14-11-2013	
			Drawing nr: 5KTA07.002					
Document ID:	-					Sheet: 1 of 1	Size: A4	

1 2 3 4



Material:	Aluminum 6061-T6 or 6082-T6					
Treatment:	Black anodized					
Dimension:	0.5 thru 3	3 thru 6	6 Thru 30	30 thru 120	120 thru 400	400 thru 1000
Tolerance:	±0.1	±0.1	±0.2	±0.3	±0.5	±0.8
GENERAL TOLERANCES according to ISO 2768-mH						
General Roughness:	3.2/			Scale:	1:1	
Drawn:	ACE			Unit:	mm	
Approved:	-			Date:	14-11-2013	
Status:	-		Version:	1	Date:	14-11-2013
Description:	Hinge block					
Document ID:	-					
Drawing nr:	5KTA08.001					
Sheet:	1 of 1				Size:	A3

1

2

3

4

F

F

E

E

D

D

C

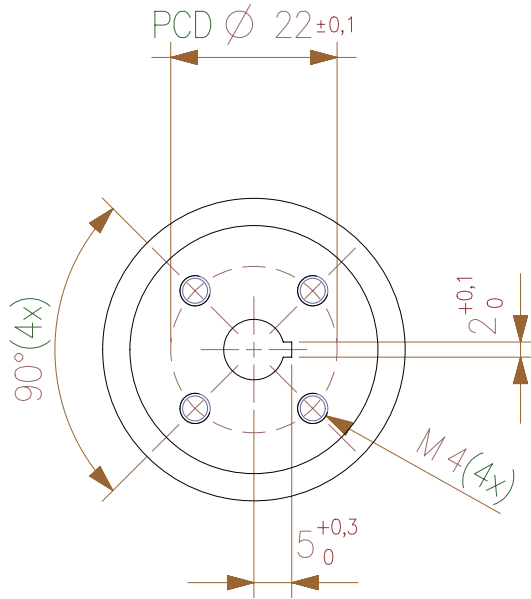
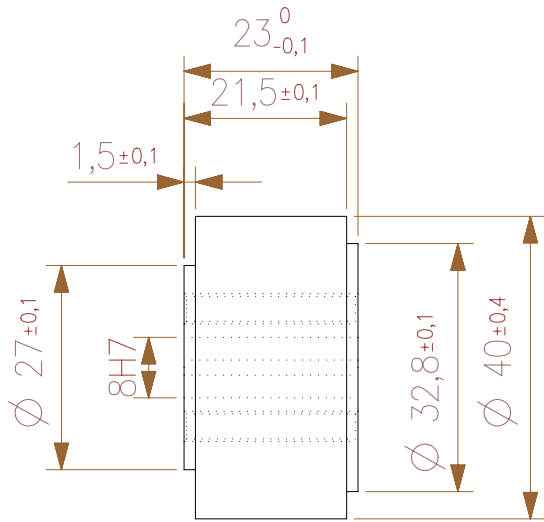
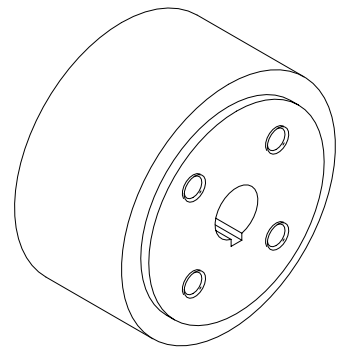
C

B

B

A

A



Material:	Aluminum	Dimension:	0.5 thru 3	3 thru 6	6 Thru 30	30 thru 120	120 thru 400	400 thru 1000		
	Treatment:	-	Tolerance:	±0.1	±0.1	±0.2	±0.3	±0.5	±0.8	
			GENERAL TOLERANCES according to ISO 2768-mH							
			General Roughness:	12.5		Scale:	1:1			
						Unit:	mm			
			Drawn:	-			Date:	15-11-2013		
			Approved:	-			Date:	-		
Description: Rim			Status:	-		Version:	1		Date:	15-11-2013
			Drawing nr:			5KTA09.001				
Document ID:			-			Sheet:	1 of 1		Size:	A4

1

2

3

4

1

2

3

4

F

F

E

E

D

D

C

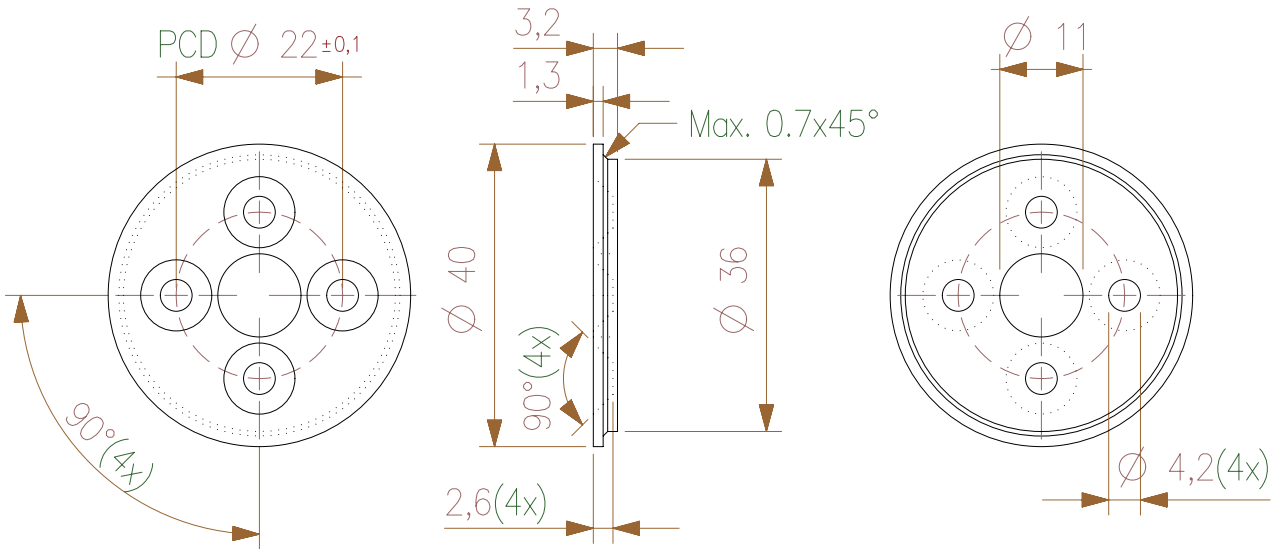
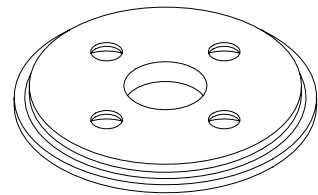
C

B

B

A

A



Material: Aluminum	Dimension:	0.5 thru 3	3 thru 6	6 Thru 30	30 thru 120	120 thru 400	400 thru 1000
	Tolerance:	±0.1	±0.1	±0.2	±0.3	±0.5	±0.8
Treatment: -	GENERAL TOLERANCES according to ISO 2768-mH						
Description: Clamp ring large	General Roughness: 12.5			Scale: 1:1	Unit: mm		
	Drawn: ACE	Approved: -			Date: 15-11-2013	Date: -	
Document ID: -	Status: -	Version: 1		Date: 15-11-2013			
	Drawing nr: 5KTA09.002						
Sheet: 1 of 1				Size: A4			

1

2

3

4

1

2

3

4

F

F

E

E

D

D

C

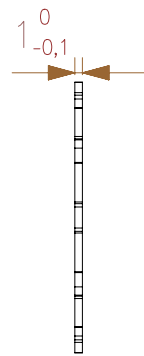
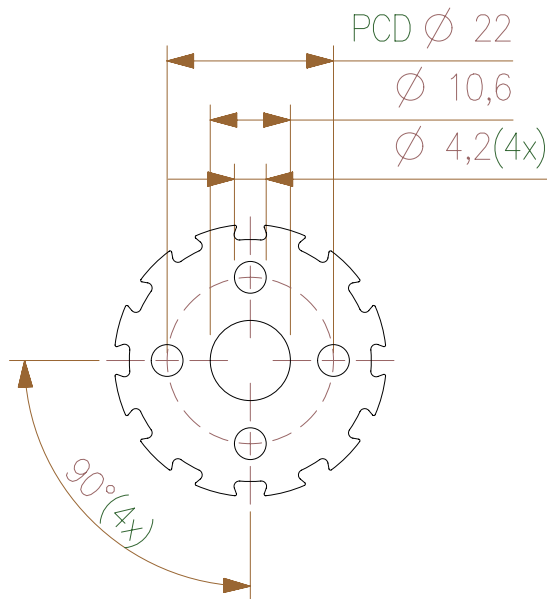
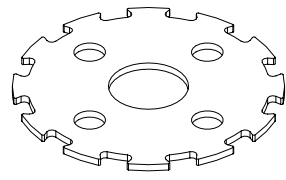
C

B

B

A

A



Do not deburr outer contour

Material:	Aluminum	Dimension:	0.5 thru 3	3 thru 6	6 Thru 30	30 thru 120	120 thru 400	400 thru 1000		
	Treatment:	-	Tolerance:	±0.1	±0.1	±0.2	±0.3	±0.5	±0.8	
			GENERAL TOLERANCES according to ISO 2768-mH							
			General Roughness:	12.5		Scale:	1:1			
						Unit:	mm			
			Drawn:	ACE			Date:	15-11-2013		
			Approved:	-			Date:	-		
Description:			Grip ring large		Status:	-	Version:	1	Date:	15-11-2013
					Drawing nr:			5KTA09.003		
Document ID:			-			Sheet:	1 of 1		Size:	A4

1

2

3

4

1 2 3 4

F

F

E

E

D

D

C

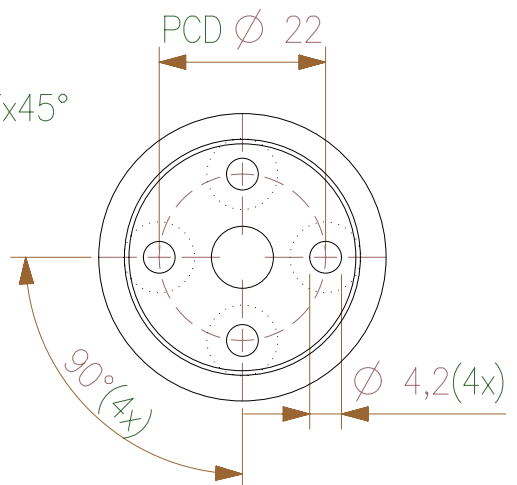
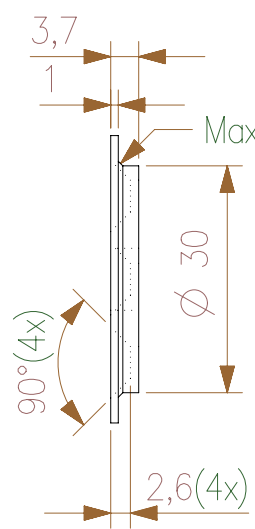
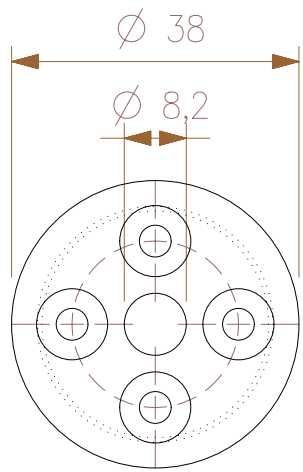
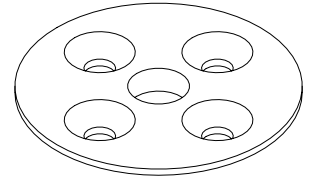
C

B

B

A

A



Material: Aluminum	Dimension:	0.5 thru 3	3 thru 6	6 Thru 30	30 thru 120	120 thru 400	400 thru 1000
	Tolerance:	±0.1	±0.1	±0.2	±0.3	±0.5	±0.8
Treatment: -	GENERAL TOLERANCES according to ISO 2768-mH						
Description: Clamp ring small	General Roughness: 12.5			Scale: 1:1	Unit: mm		
	Drawn: ACE	Approved: -			Date: 15-11-2013	Date: -	
Document ID: -	Status: -	Version: 1		Date: 15-11-2013			
	Drawing nr: 5KTA09.004						
Sheet: 1 of 1				Size: A4			

1 2 3 4

1 2 3 4

F

F

E

E

D

D

C

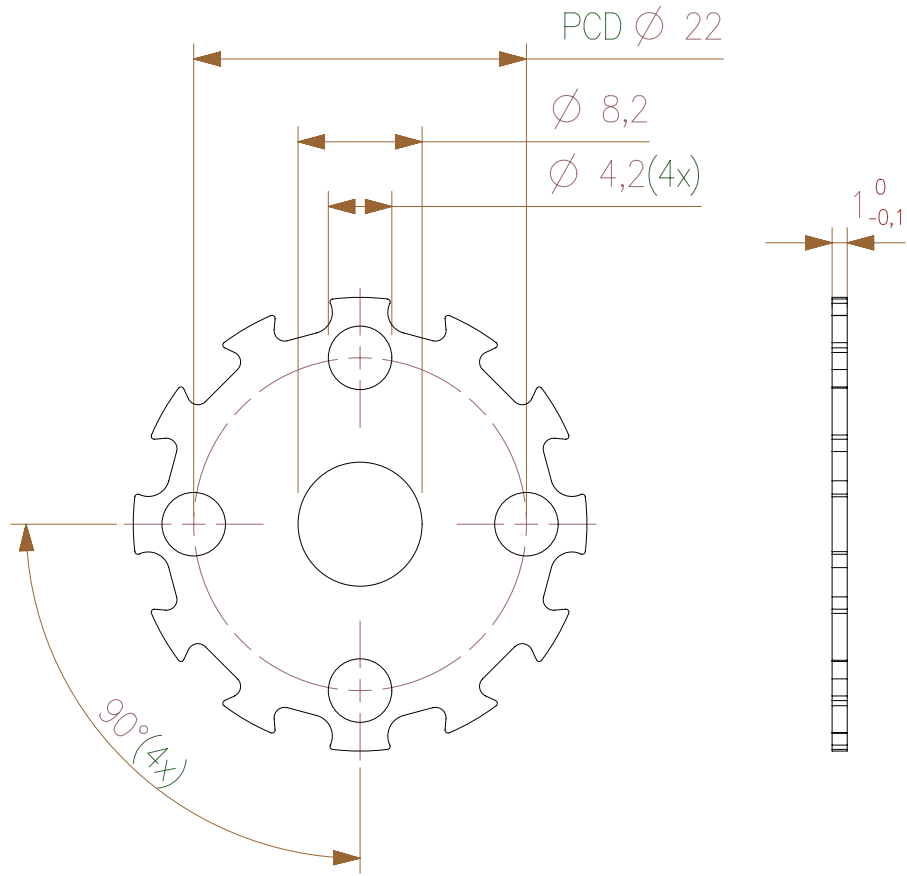
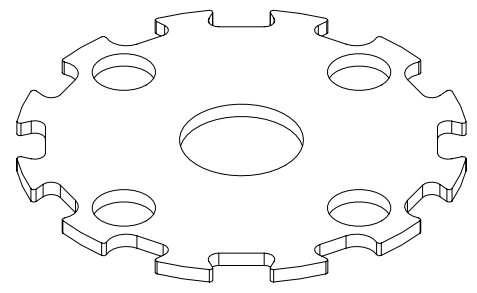
C

B

B

A

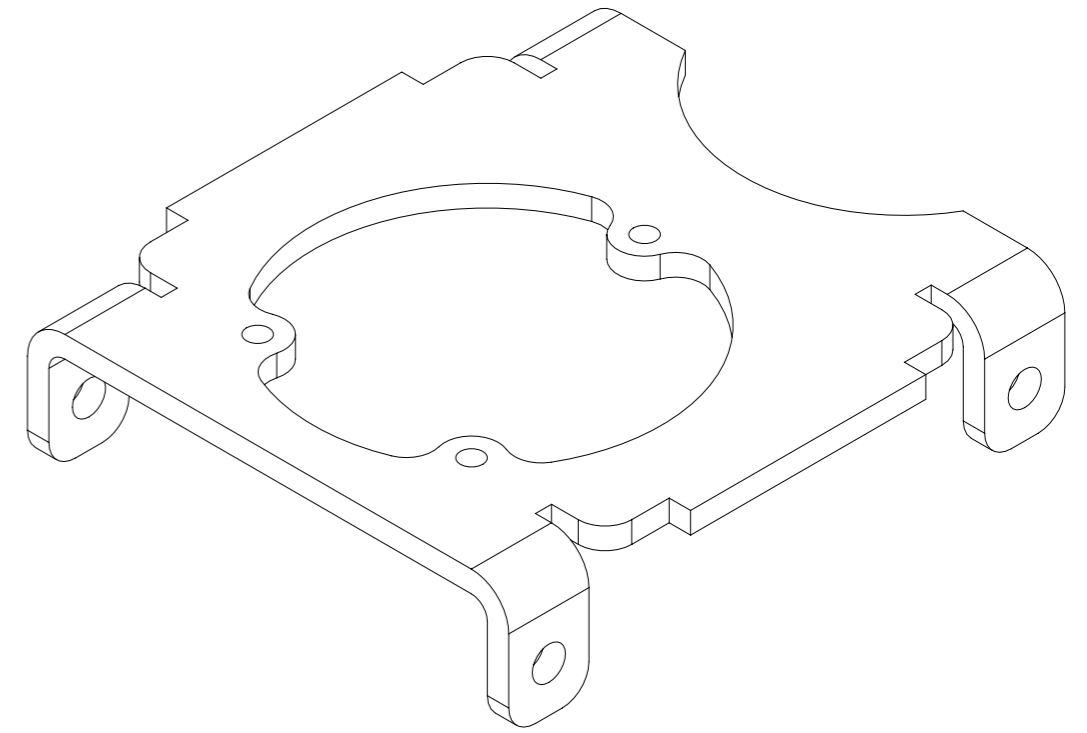
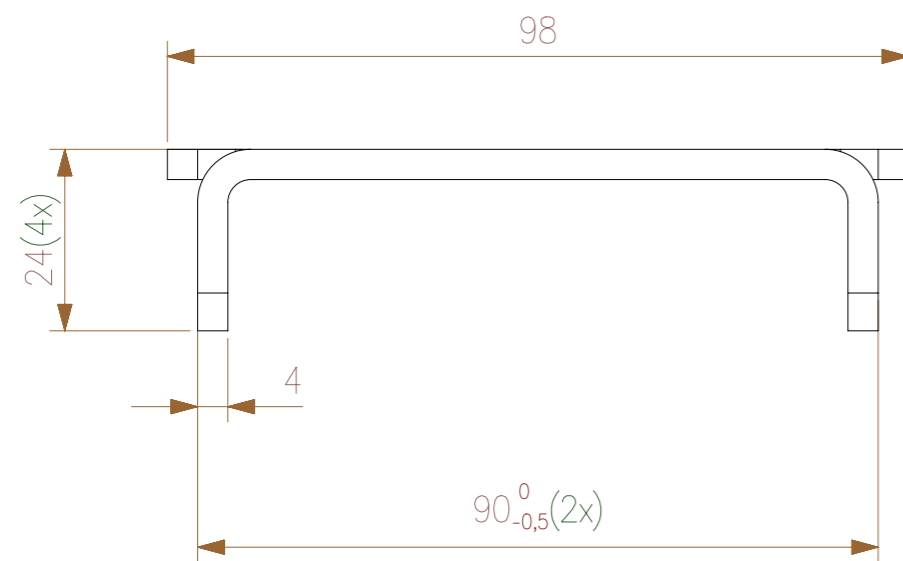
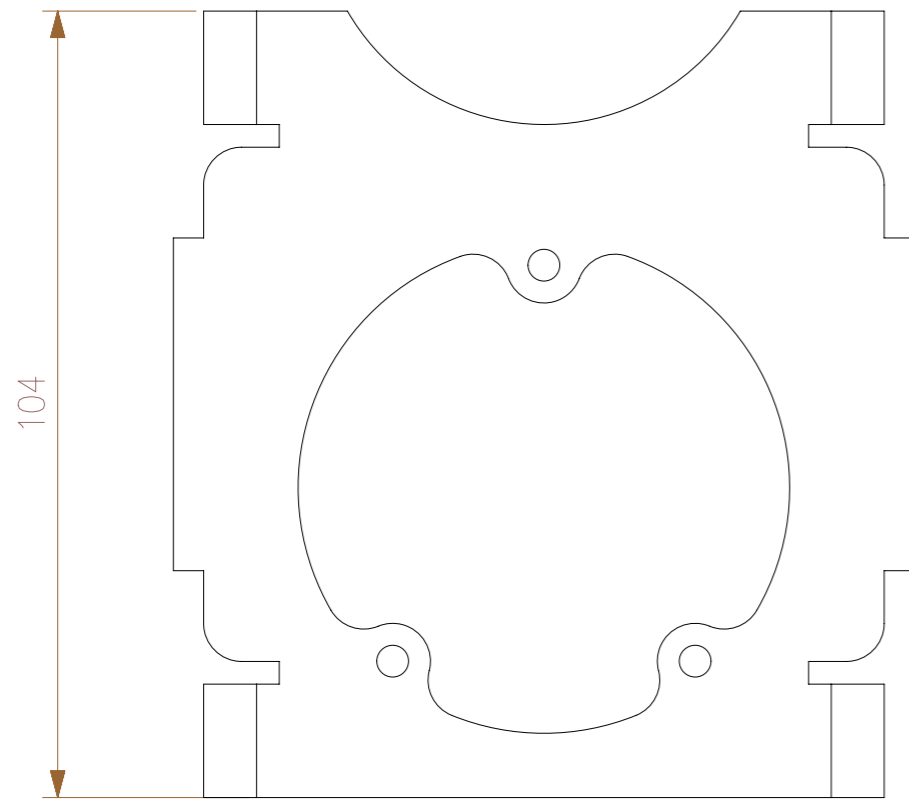
A



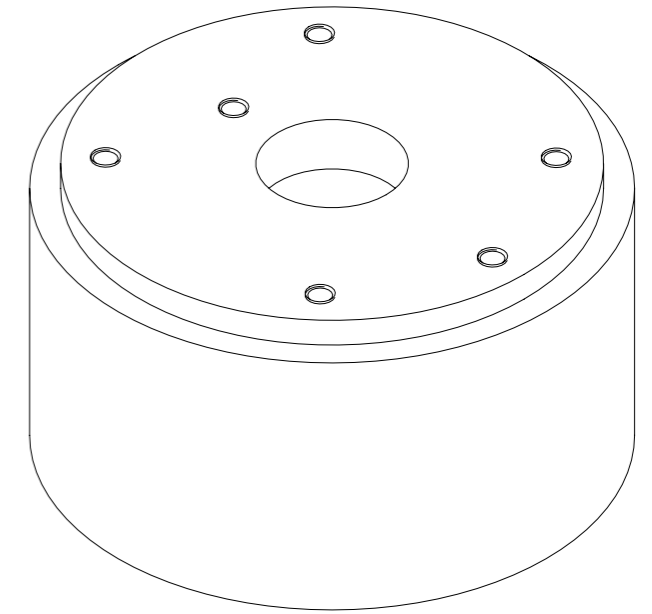
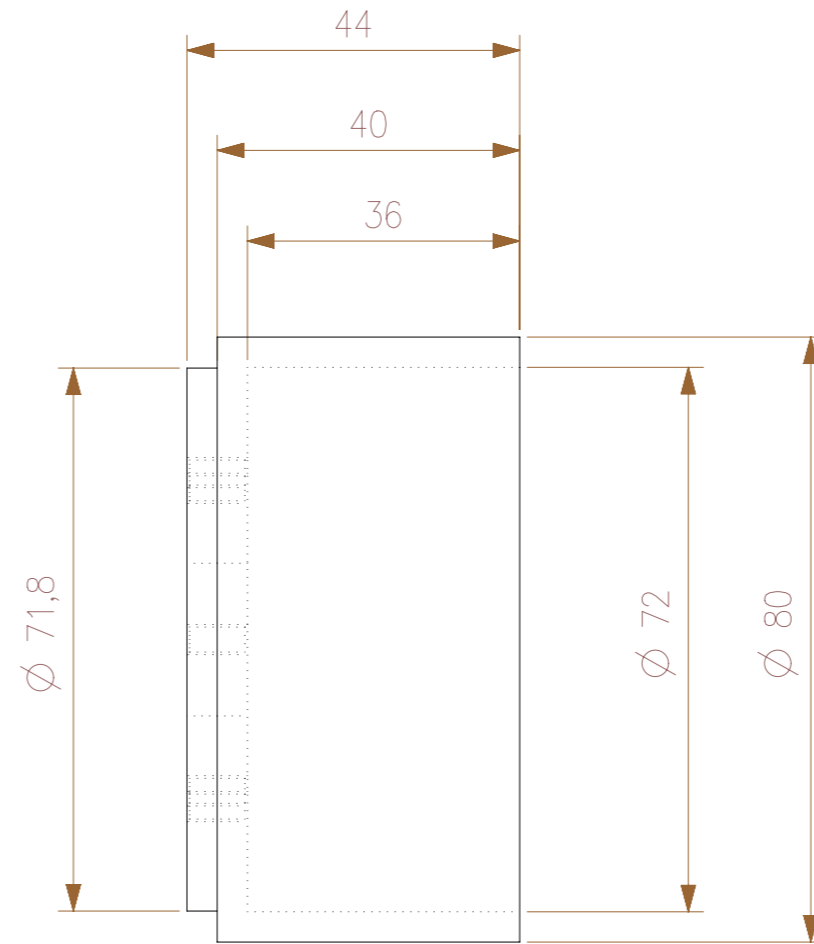
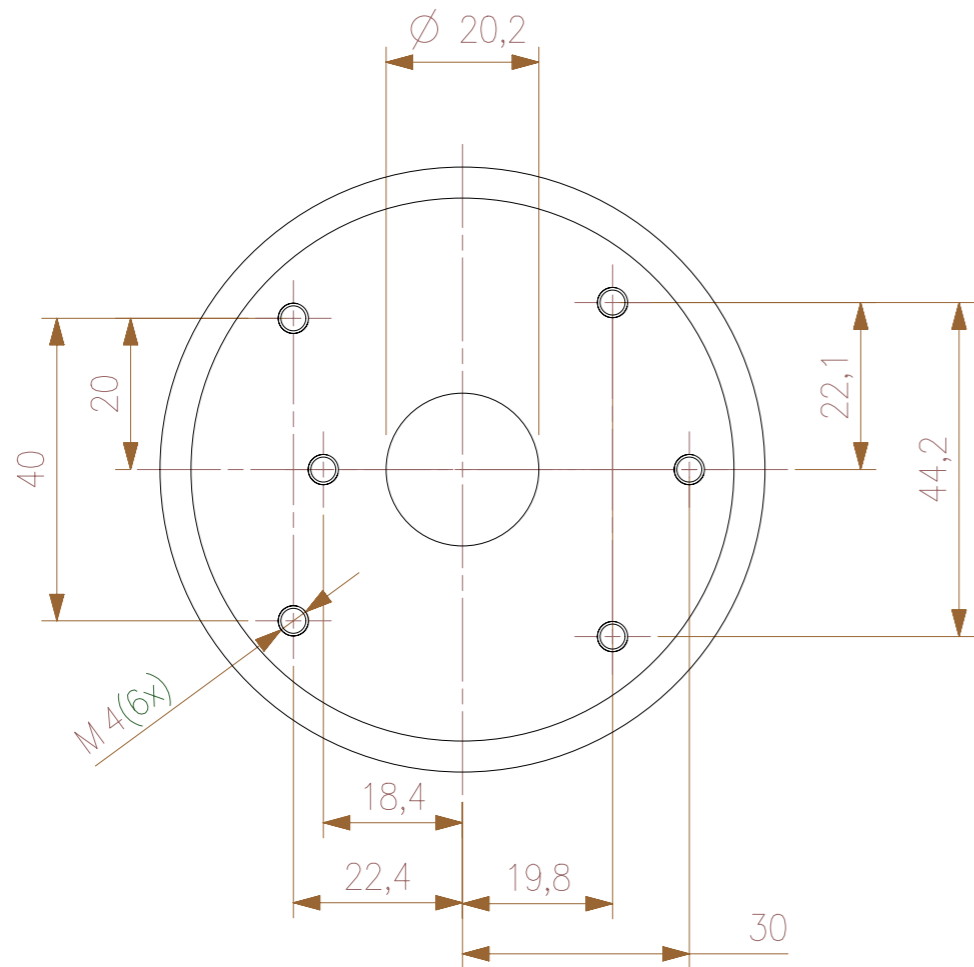
Do not deburr outer contour

Material:	Aluminum	Dimension:	0.5 thru 3	3 thru 6	6 Thru 30	30 thru 120	120 thru 400	400 thru 1000		
	Treatment:	-	Tolerance:	± 0.1	± 0.1	± 0.2	± 0.3	± 0.5	± 0.8	
			GENERAL TOLERANCES according to ISO 2768-mH							
			General Roughness:	12.5		Scale:	2:1			
						Unit:	mm			
			Drawn:	ACE			Date:	15-11-2013		
			Approved:	-			Date:	-		
Description:			Grip ring small		Status:	-	Version:	1	Date:	15-11-2013
			Drawing nr:			5KTA09.005				
Document ID:		-				Sheet:	1 of 1		Size:	A4

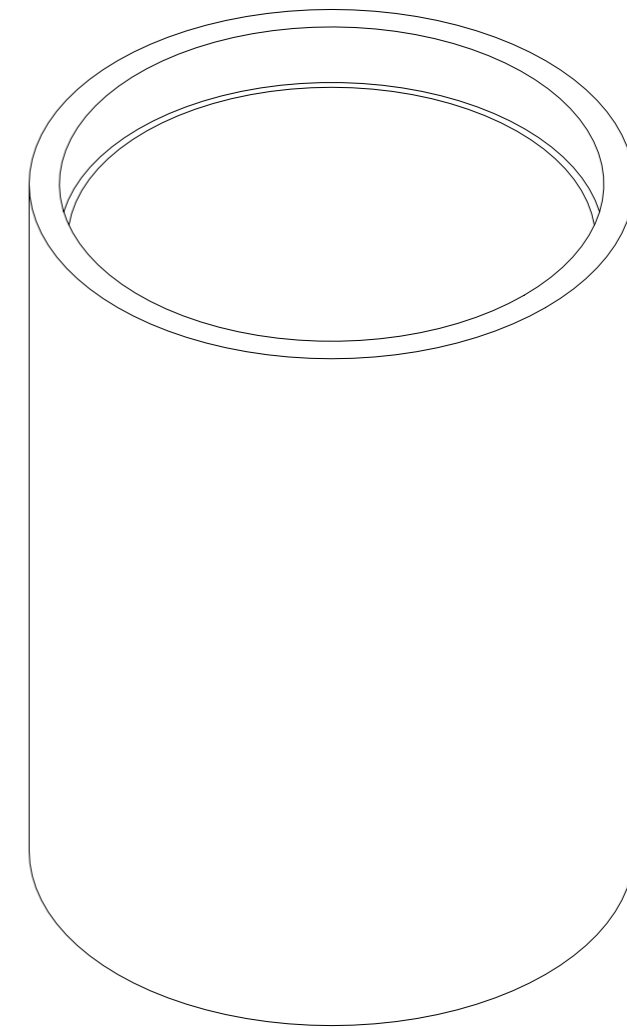
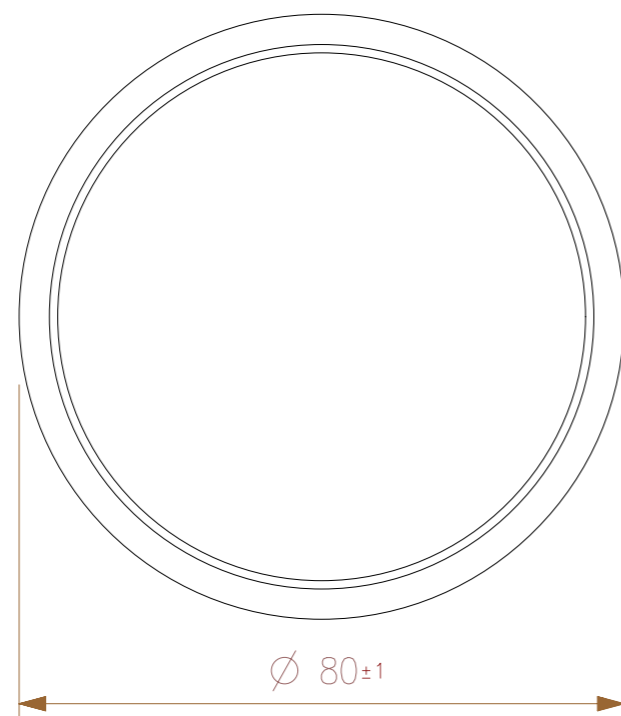
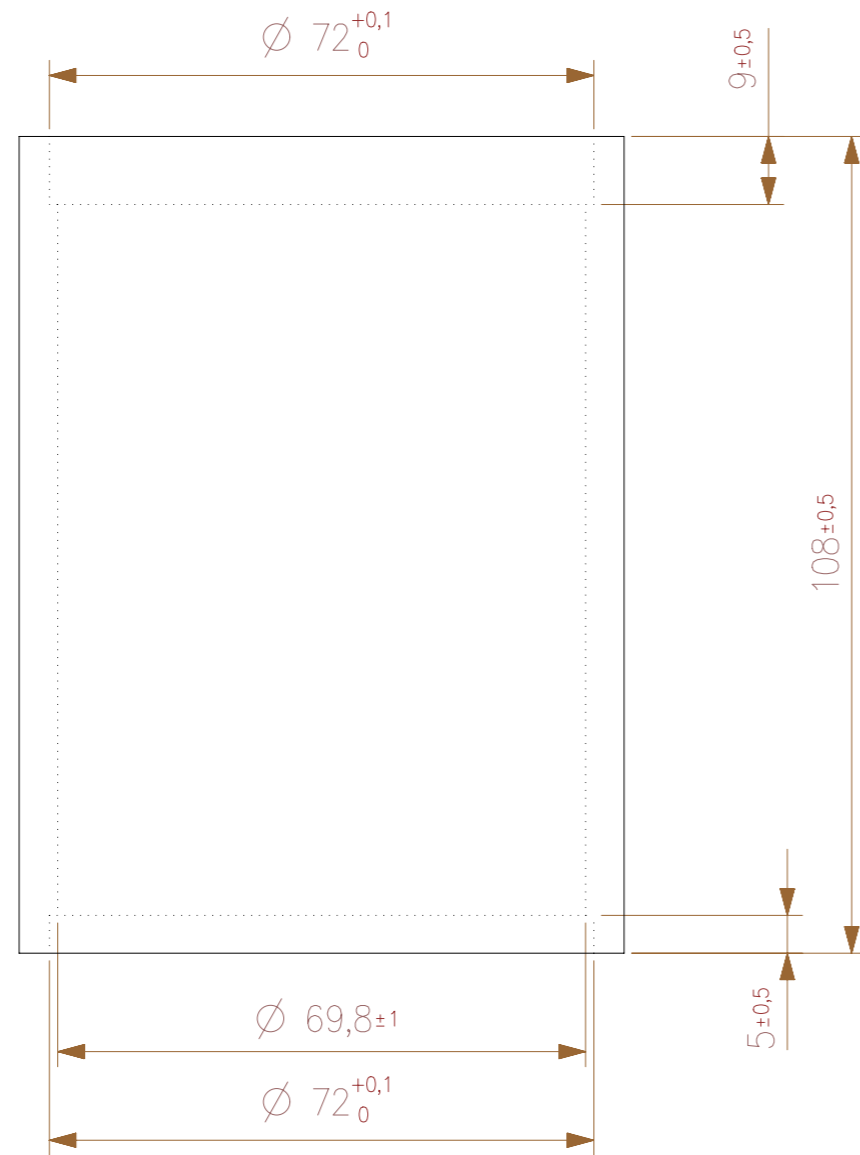
1 2 3 4



Material:	Aluminum	Dimension:	0,5 thru 3	3 thru 6	6 Thru 30	30 thru 120	120 thru 400	400 thru 1000		
Treatment:	Black anodized	Tolerance:	±0.1	±0.1	±0.2	±0.3	±0.5	±0.8		
		GENERAL TOLERANCES according to ISO 2768-mH								
		General Roughness:	12.5			Scale:	1:1			
		Drawn:	ACE		Unit:	mm				
		Approved:	-		Date:	15-11-2013				
		Status:	-		Version:	1		Date:	15-11-2013	
		Description:		Mounting plate					Drawing nr:	5KTA10.001
		Document ID:		-		Sheet:	1 of 1		Size:	A3



Material:	Aluminum	Dimension:	0.5 thru 3	3 thru 6	6 Thru 30	30 thru 120	120 thru 400	400 thru 1000	
Treatment:	Black anodized	Tolerance:	±0.1	±0.1	±0.2	±0.3	±0.5	±0.8	
		GENERAL TOLERANCES according to ISO 2768-mH							
		General Roughness:	12.5			Scale:	1:1		
		Drawn:	ACE		Date:	15-11-2013			
		Approved:	-		Date:	-			
		Status:	-		Version:	1		Date:	15-11-2013
Description:		Spacer							
		Drawing nr: 5KTA10.002							
Document ID:	-	Sheet:	1 of 1		Size:	A3			



Material:	Optical transparant polycarbonate					
Treatment:	-					
Dimension:	0,5 thru 3	3 thru 6	6 Thru 30	30 thru 120	120 thru 400	400 thru 1000
Tolerance:	±0.1	±0.1	±0.2	±0.3	±0.5	±0.8
GENERAL TOLERANCES according to ISO 2768-mH						
General Roughness:	12.5			Scale:	1:1	
Drawn:	ACE			Unit:	mm	
Approved:	-			Date:	15-11-2013	
Description:	Vision tube			Status:	-	Date: -
Document ID:	-			Version:	1	Date: 15-11-2013
				Drawing nr:	5KTA10.003	
				Sheet:	1 of 1	Size: A3

1

2

3

4

F

F

E

E

D

D

C

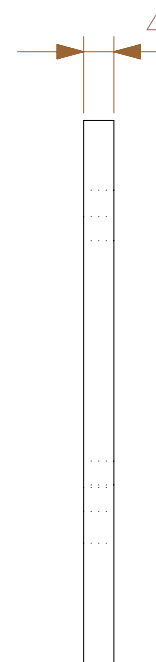
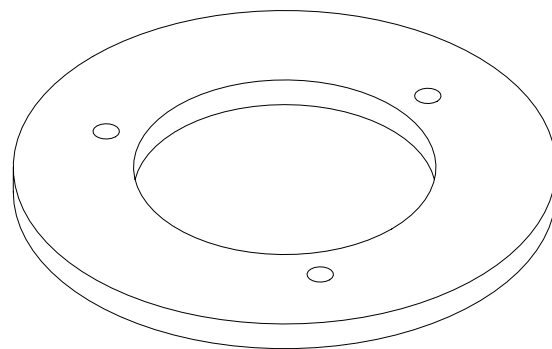
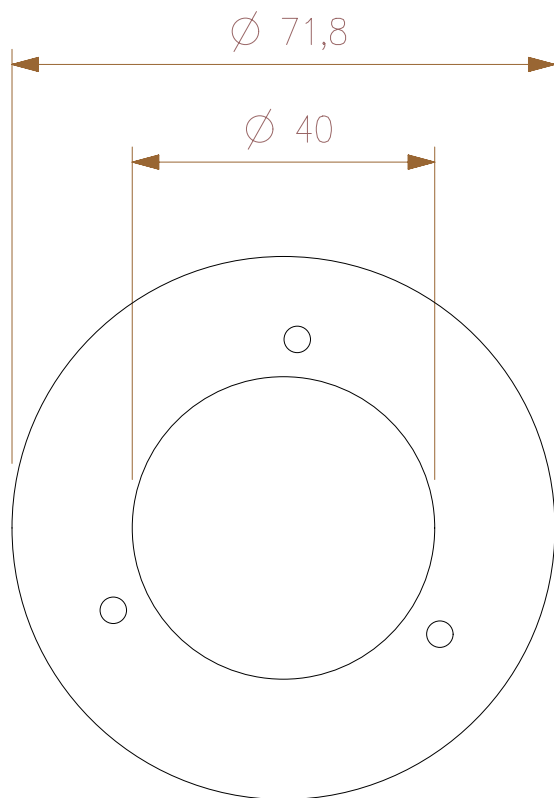
C

B

B

A

A



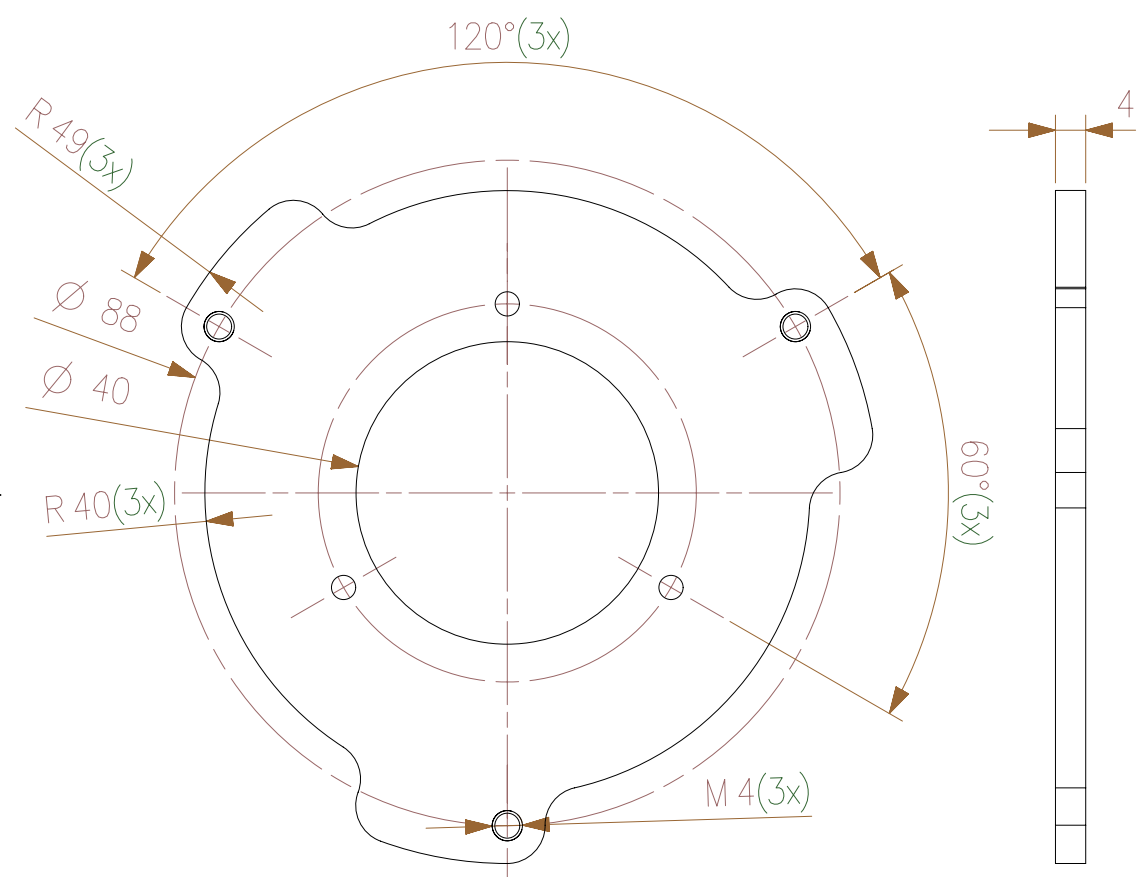
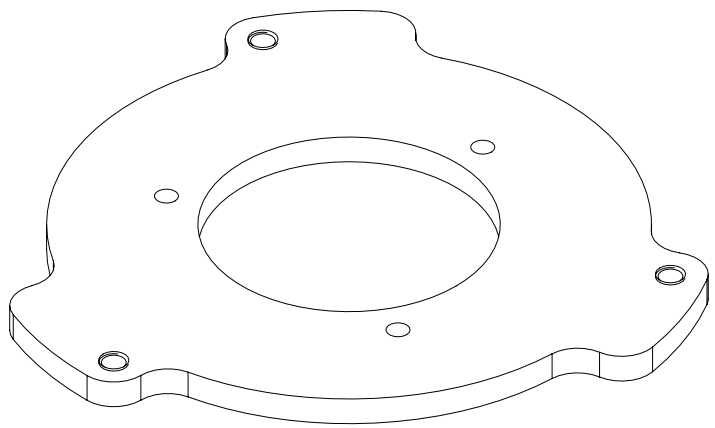
Material:	Aluminum	Dimension:	0.5 thru 3	3 thru 6	6 Thru 30	30 thru 120	120 thru 400	400 thru 1000	
	Treatment:	-	Tolerance:	±0.1	±0.1	±0.2	±0.3	±0.5	±0.8
			GENERAL TOLERANCES according to ISO 2768-mH						
			General Roughness:	12.5 ✓			Scale:	1:1	
						Unit:	mm		
			Drawn:	ACE			Date:	15-11-2013	
			Approved:	-			Date:	-	
Description: Upper tube plate			Status:	-		Version:	1	Date:	15-11-2013
			Drawing nr:			5KTA10.006			
Document ID:	-				Sheet:	1 of 1		Size:	A4

1

2

3

4



Material:	Aluminum	Dimension:	0.5 thru 3	3 thru 6	6 Thru 30	30 thru 120	120 thru 400	400 thru 1000			
	Treatment:	Black anodized	Tolerance:	±0.1	±0.1	±0.2	±0.3	±0.5	±0.8		
			GENERAL TOLERANCES according to ISO 2768-mH								
			General Roughness:	12.5		Scale:	1:1				
						Unit:	mm				
			Drawn:	ACE			Date:	18-11-2013			
			Approved:	-			Date:	-			
			Status:	-		Version:	1		Date:	18-11-2013	
Description:			Top plate			Drawing nr:			5KTA10.007		
Document ID:			-			Sheet:		1 of 1		Size:	A4

1

2

3

4

F

F

E

E

D

D

C

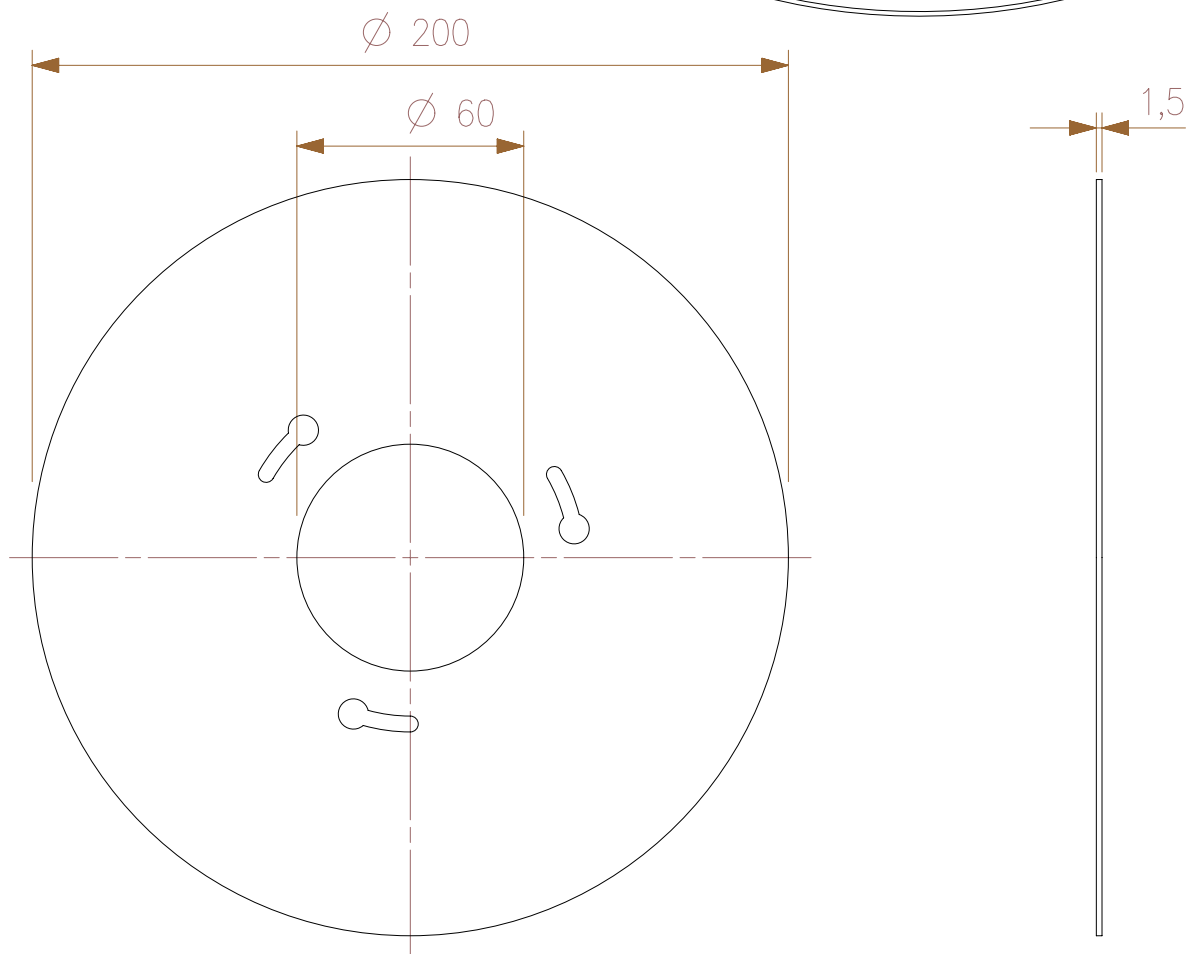
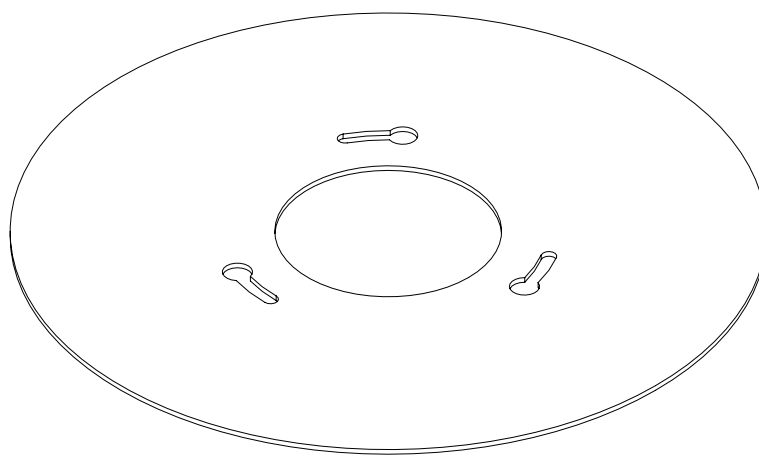
C

B

B

A

A



Outer edge must be deburred

Material: Aluminum	Dimension:	0.5 thru 3	3 thru 6	6 Thru 30	30 thru 120	120 thru 400	400 thru 1000
	Tolerance:	±0.1	±0.1	±0.2	±0.3	±0.5	±0.8
Treatment: Black anodized	GENERAL TOLERANCES according to ISO 2768-mH						
Description: Ball catch plate	General Roughness:	12.5 ✓			Scale:	1:2	
	Drawn:	ACE			Unit:	mm	
Document ID: -	Approved:	-			Date:	26-11-2013	
	Status:	-		Version:	1	Date:	26-11-2013
	Drawing nr:	5KTA10.008					
Sheet:	1 of 1		Size:	A4			

1

2

3

4

1

2

3

4

F

F

E

E

D

D

C

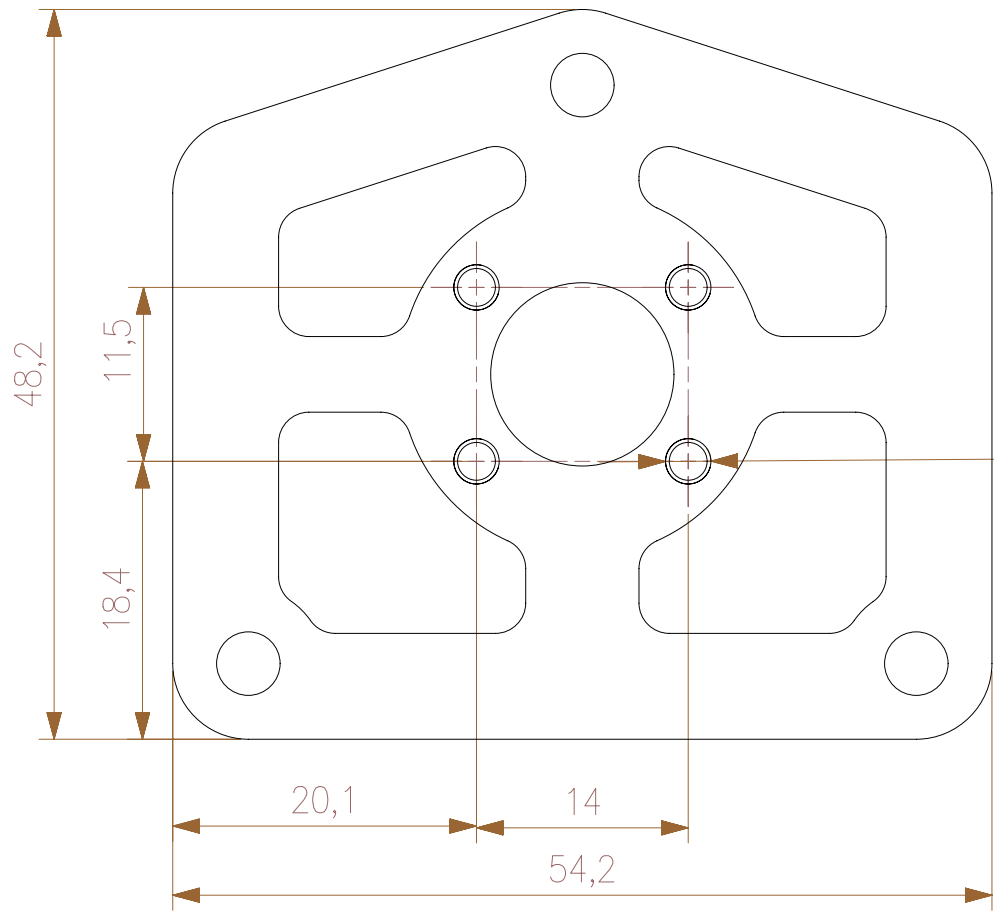
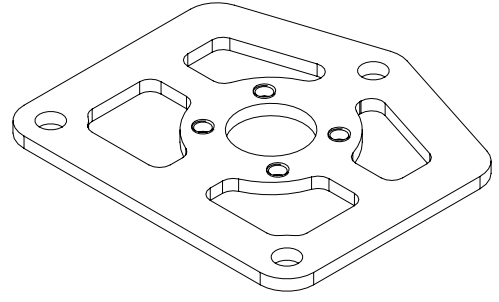
C

B

B

A

A



M 3(4x)

2

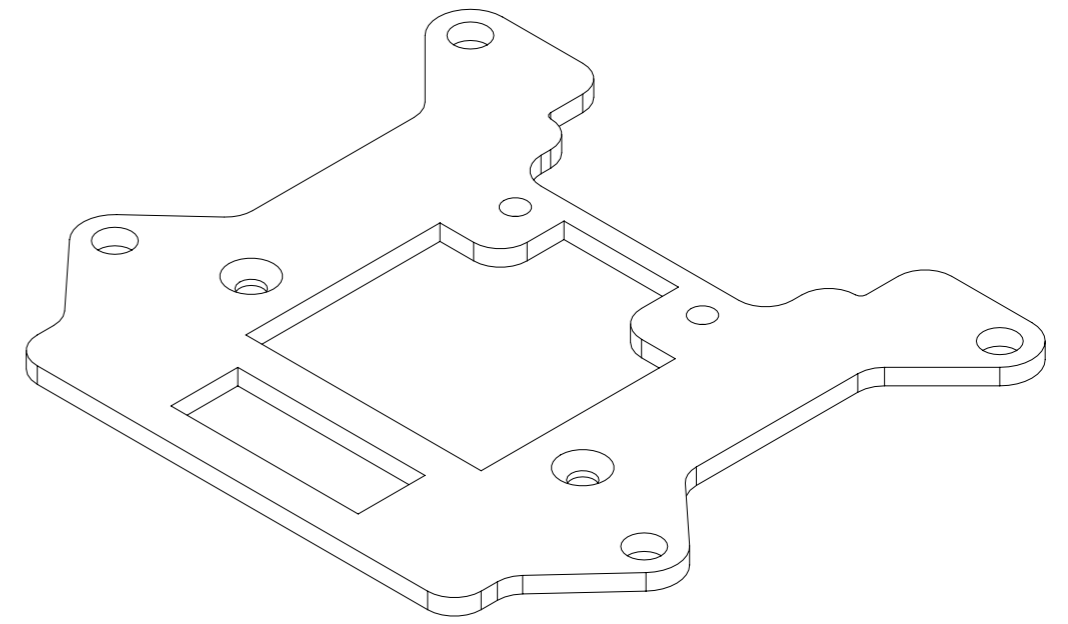
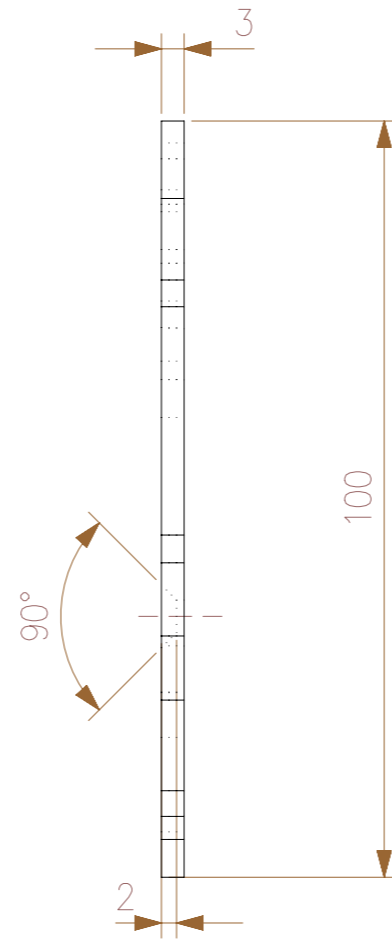
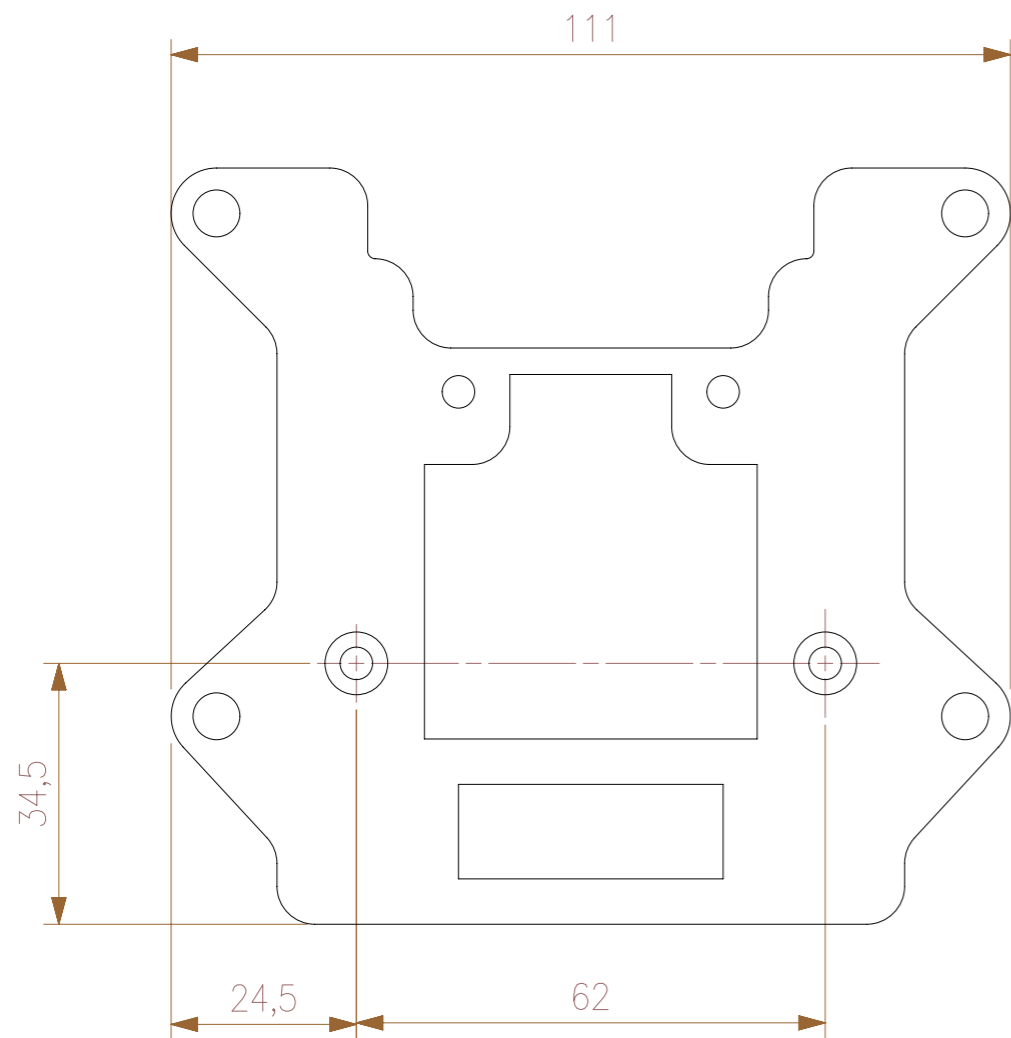
Material:	Aluminum	Dimension:	0.5 thru 3	3 thru 6	6 Thru 30	30 thru 120	120 thru 400	400 thru 1000		
	Treatment:	-	Tolerance:	±0.1	±0.1	±0.2	±0.3	±0.5	±0.8	
			GENERAL TOLERANCES according to ISO 2768-mH							
			General Roughness:	12.5		Scale: 2:1				
						Unit: mm				
			Drawn:	ACE			Date: 15-11-2013			
			Approved:	-			Date: -			
Description:			Camera clamp plate		Status:	-	Version:	1	Date:	15-11-2013
			Drawing nr:			5KTA10.009				
Document ID:			-			Sheet:	1 of 1		Size:	A4

1

2

3

4



Material:	Aluminum	Dimension:	0,5 thru 3	3 thru 6	6 Thru 30	30 thru 120	120 thru 400	400 thru 1000
Treatment:	-	Tolerance:	±0.1	±0.1	±0.2	±0.3	±0.5	±0.8
GENERAL TOLERANCES according to ISO 2768-mH								
		General Roughness:	12.5			Scale: 1:1		
		Drawn:	ACE			Unit: mm		
		Approved:	-			Date: 15-11-2013		
		Status:	-	Version:	1	Date: 15-11-2013		
		Description:		Battery holder mount				
		Drawing nr:		5KTA12.001				
Document ID:	-			Sheet:	1 of 1		Size: A3	

1

2

3

4

F

F

E

E

D

D

C

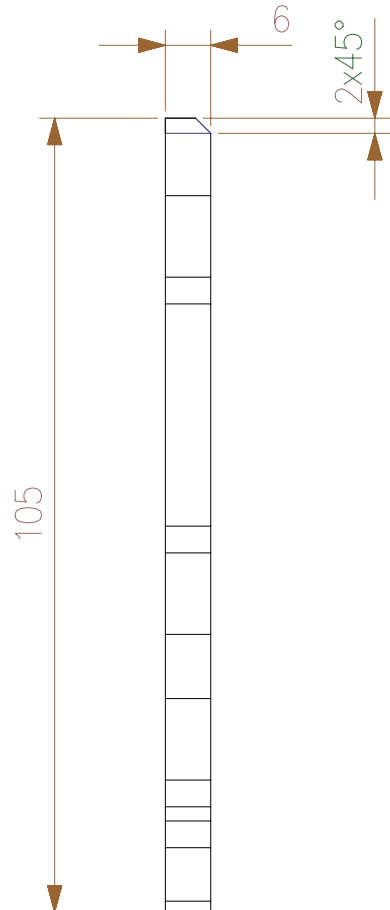
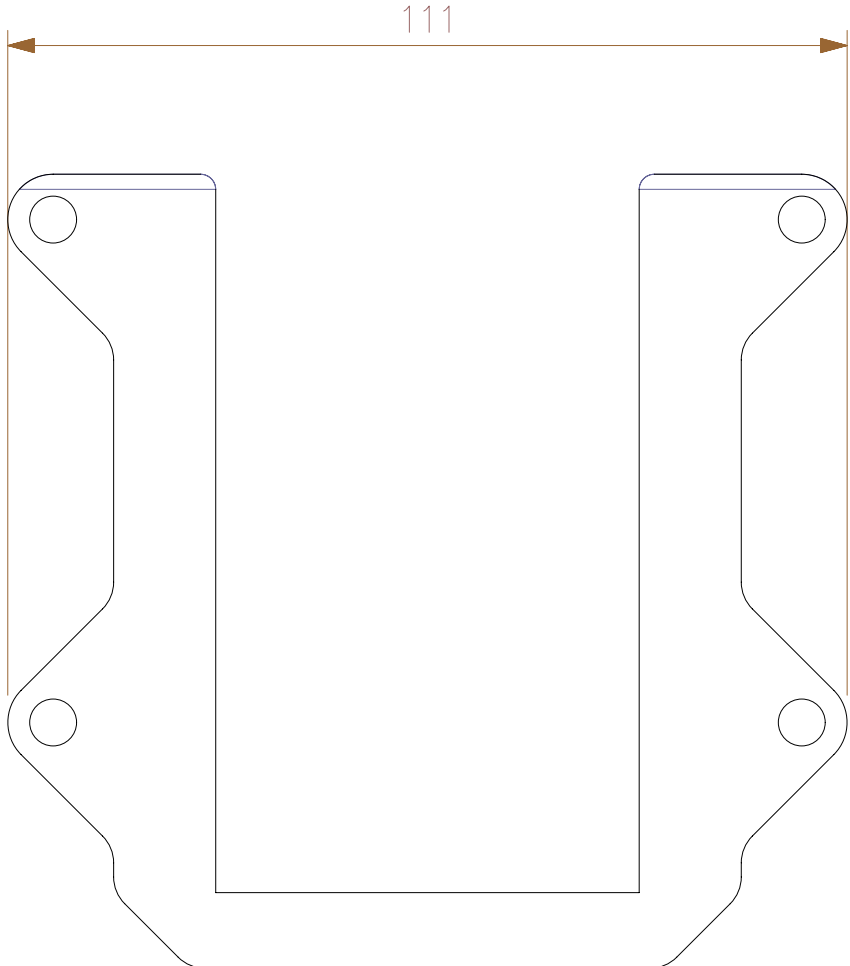
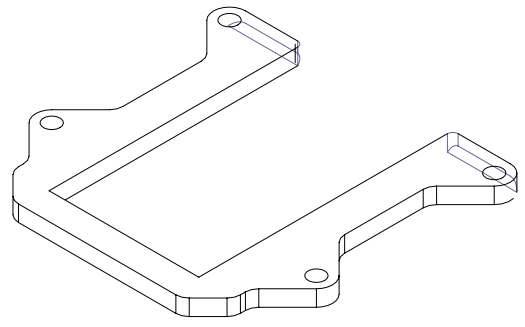
C

B

B

A

A



Material:	Aluminum	Dimension:	0.5 thru 3	3 thru 6	6 Thru 30	30 thru 120	120 thru 400	400 thru 1000	
	Treatment:	-	Tolerance:	±0.1	±0.1	±0.2	±0.3	±0.5	±0.8
			GENERAL TOLERANCES according to ISO 2768-mH						
Description:	Slide	General Roughness:	12.5			Scale:	1:1		
		Unit:	mm		Drawn:	ACE	Date:	26-11-2013	
Document ID:	-	Approved:	-				Date:	-	
		Status:	-		Version:	1	Date:	26-11-2013	
		Drawing nr:	5KTA12.002						
Sheet:	1 of 1		Size:	A4					

1

2

3

4

1

2

3

4

F

F

E

E

D

D

C

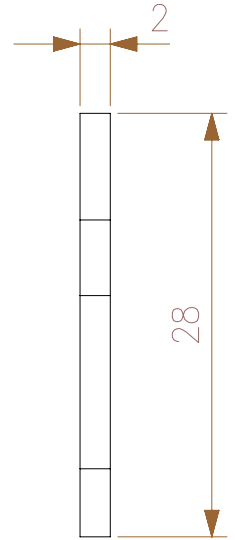
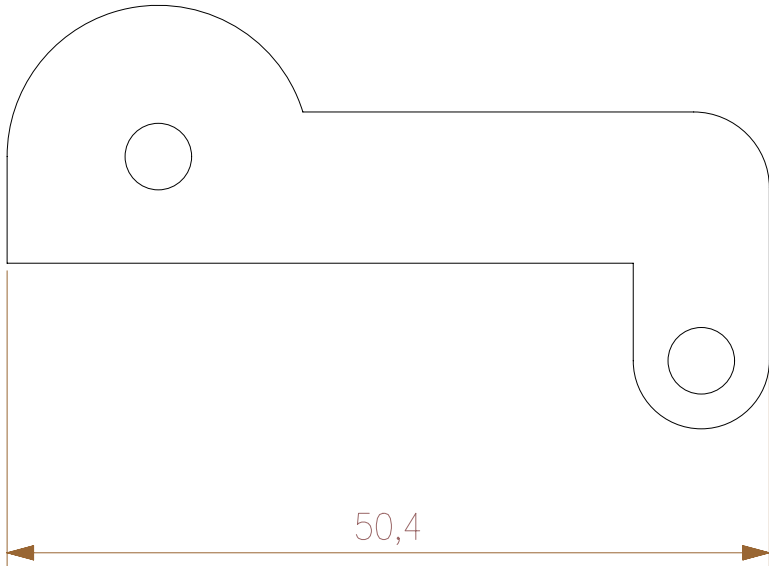
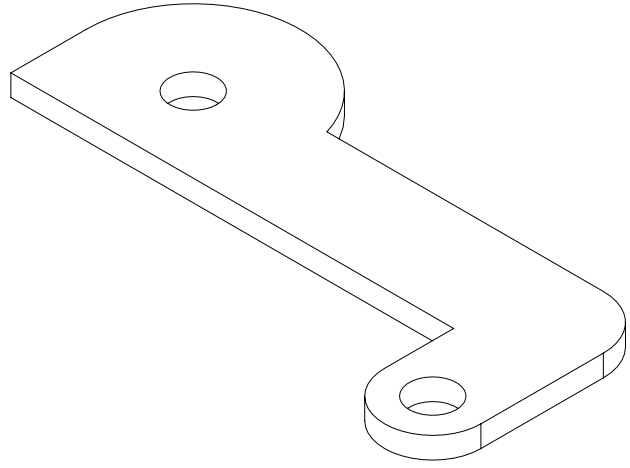
C

B

B

A

A



Material:	Aluminum
Treatment:	-
Description: Battery hold spacer	
Document ID:	-

Dimension:	0.5 thru 3	3 thru 6	6 Thru 30	30 thru 120	120 thru 400	400 thru 1000
Tolerance:	±0.1	±0.1	±0.2	±0.3	±0.5	±0.8
GENERAL TOLERANCES according to ISO 2768-mH						
General Roughness:	12.5			Scale:	2:1	
				Unit:	mm	
Drawn:	ACE			Date:	15-11-2013	
Approved:	-			Date:	-	
Status:	-		Version:	1	Date:	15-11-2013
Drawing nr:				5KTA12.003		
				Sheet:	1 of 1	Size: A4

1

2

3

4

1

2

3

4

F

F

E

E

D

D

C

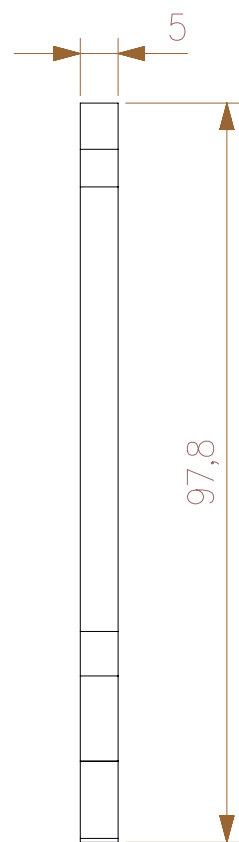
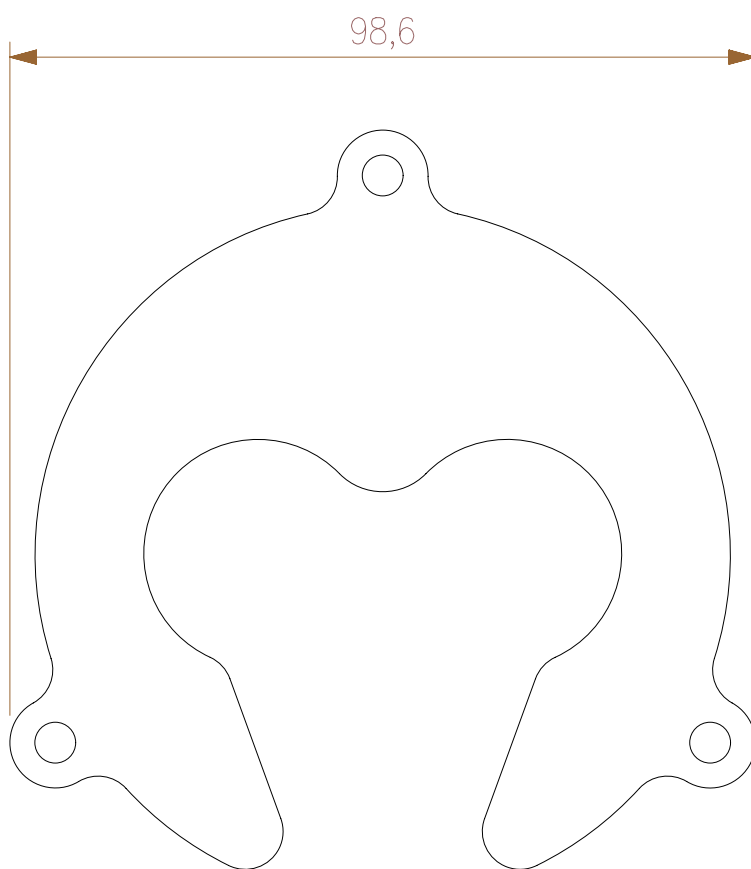
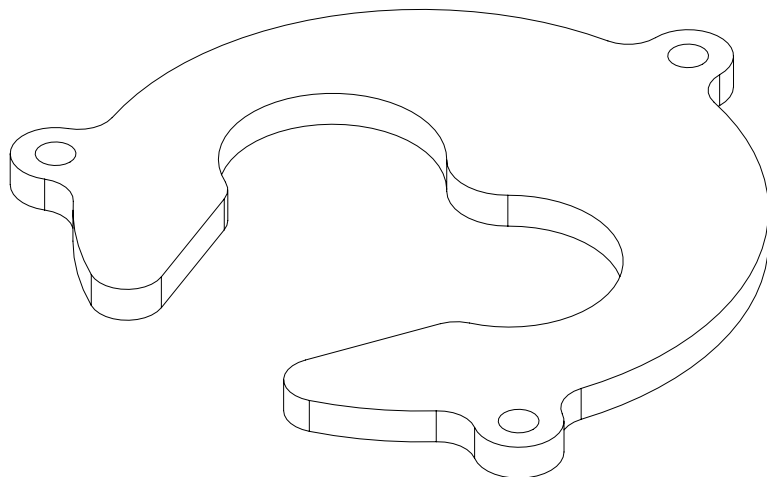
C

B

B

A

A



Material:
Aluminum

Treatment:
-

Description:

Plate

Document ID:

-

Dimension:

0.5
thru
3

3
thru
6

6
Thru
30

30
thru
120

120
thru
400

400
thru
1000

Tolerance:

±0.1

±0.1

±0.2

±0.3

±0.5

±0.8

GENERAL TOLERANCES according to ISO 2768-mH

General
Roughness:

12.5
✓



Scale: 1:1

Unit: mm

Drawn: ACE

Date: 15-11-2013

Approved: -

Date: -

Status: -

Version: 1

Date: 15-11-2013

Drawing nr:

5KTA13.001

Sheet:

1 of 1

Size:

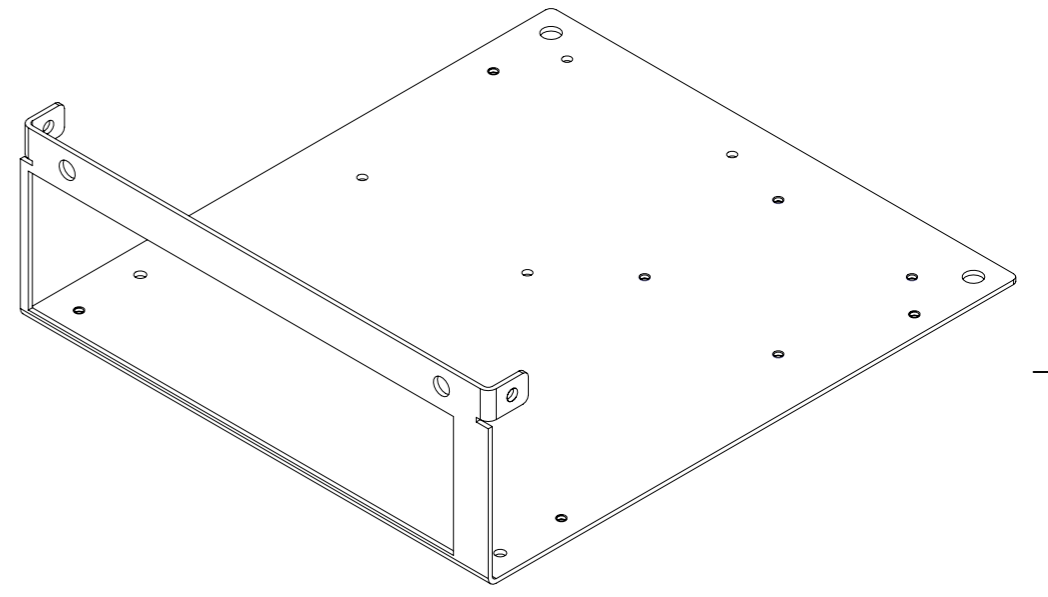
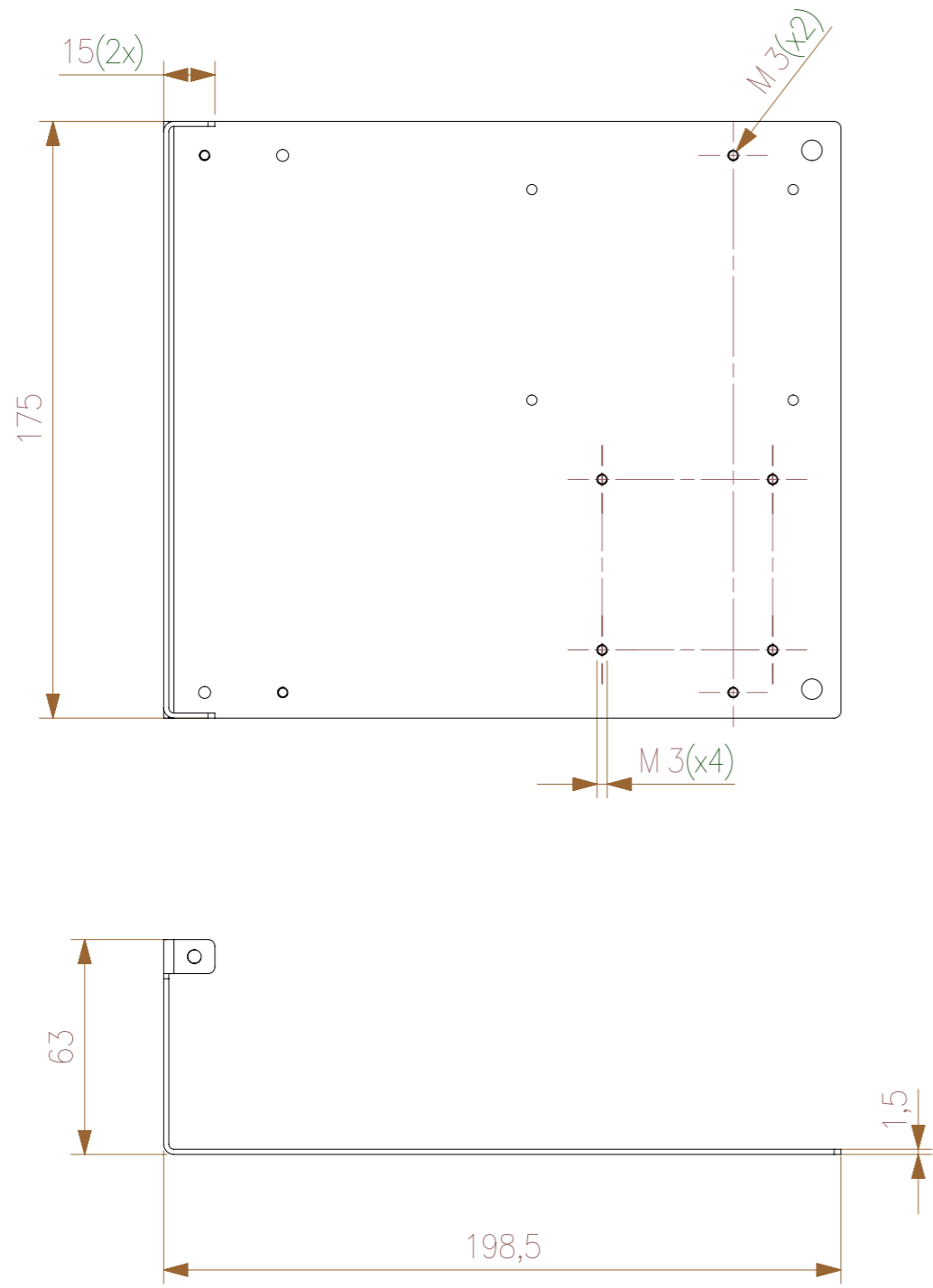
A4

1

2

3

4



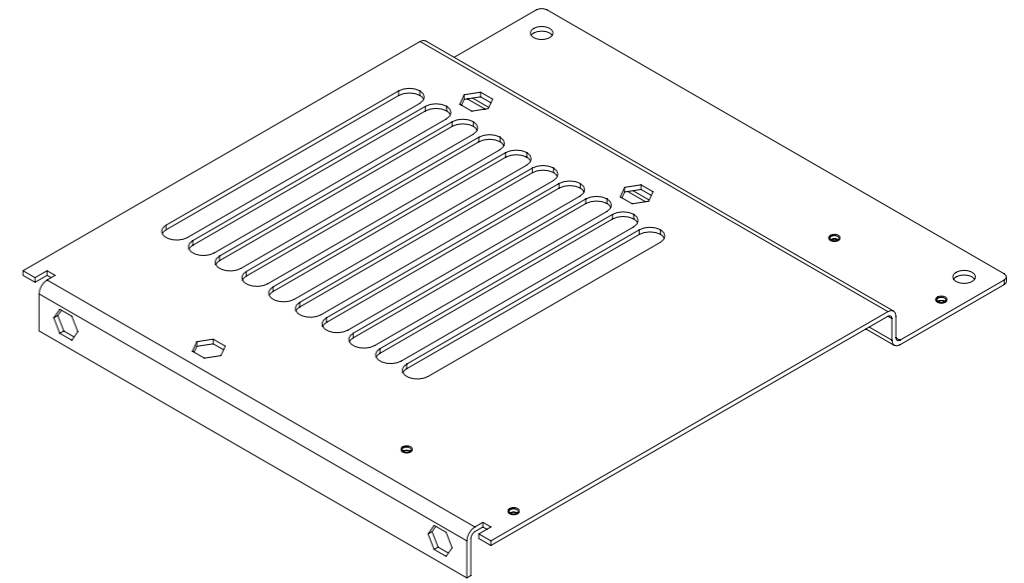
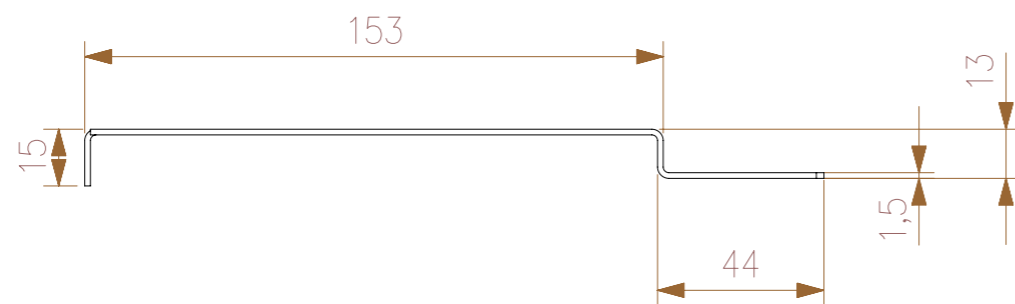
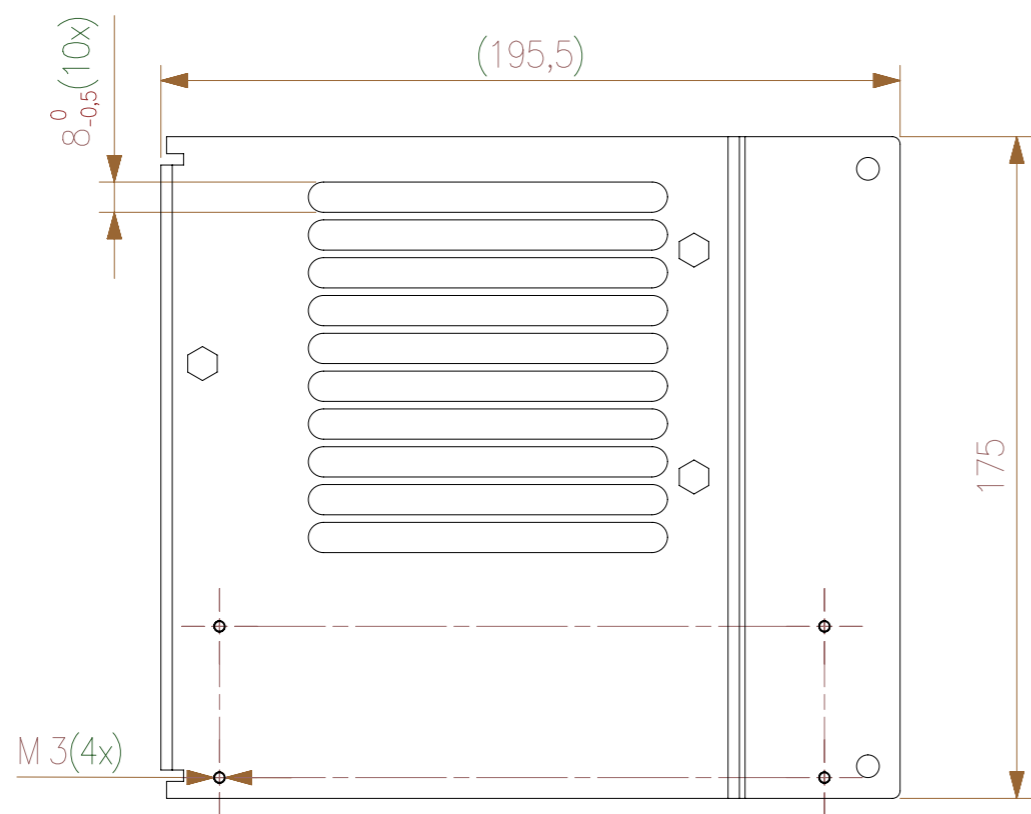
Material:	Aluminum	Dimension:	0,5 thru 3	3 thru 6	6 Thru 30	30 thru 120	120 thru 400	400 thru 1000
Treatment:	Black anodized	Tolerance:	±0.1	±0.1	±0.2	±0.3	±0.5	±0.8
GENERAL TOLERANCES according to ISO 2768-mH								
		General Roughness:	12.5			Scale: 1:2		
		Drawn:	ACE			Unit: mm		
		Approved:	-			Date: 26-11-2013		
		Status:	-	Version:	1	Date: 26-11-2013		
		Drawing nr: 5KTA14.001						
Document ID:	-			Sheet:	1 of 1		Size: A3	

CPU casing mid plate

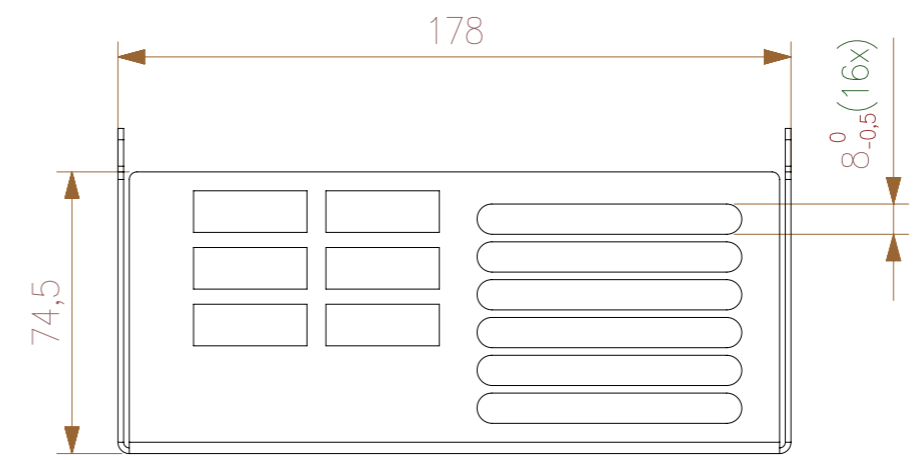
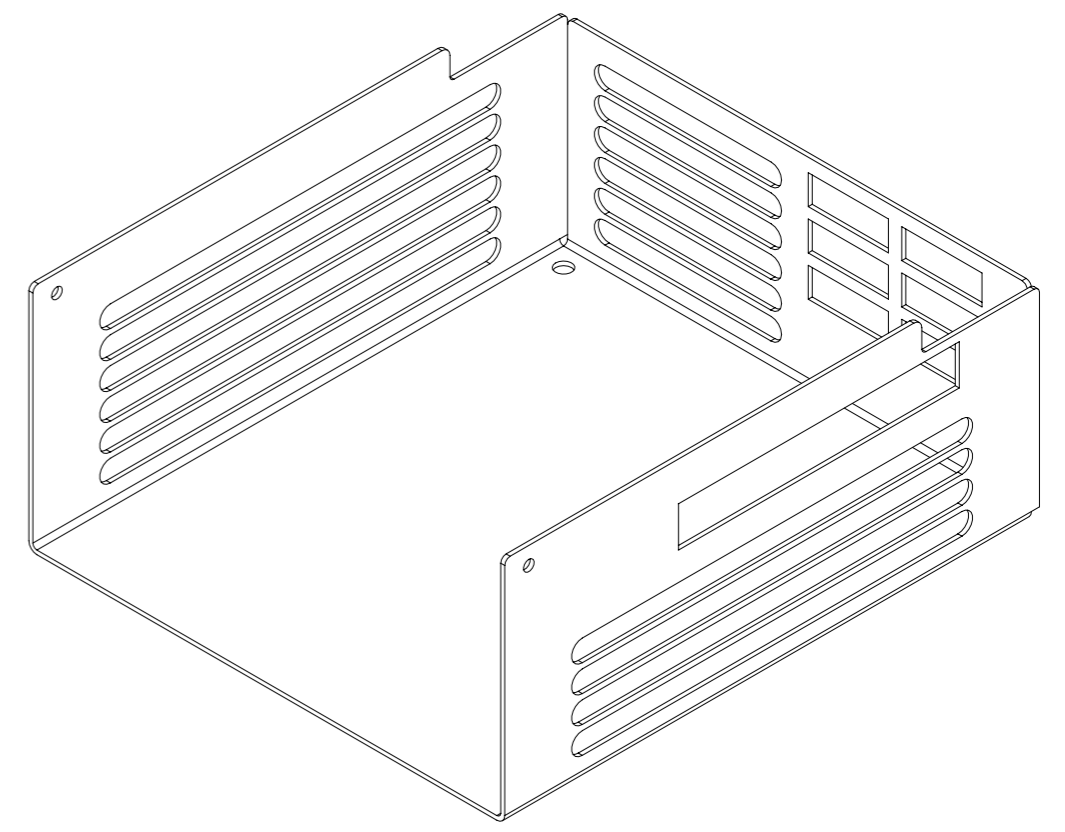
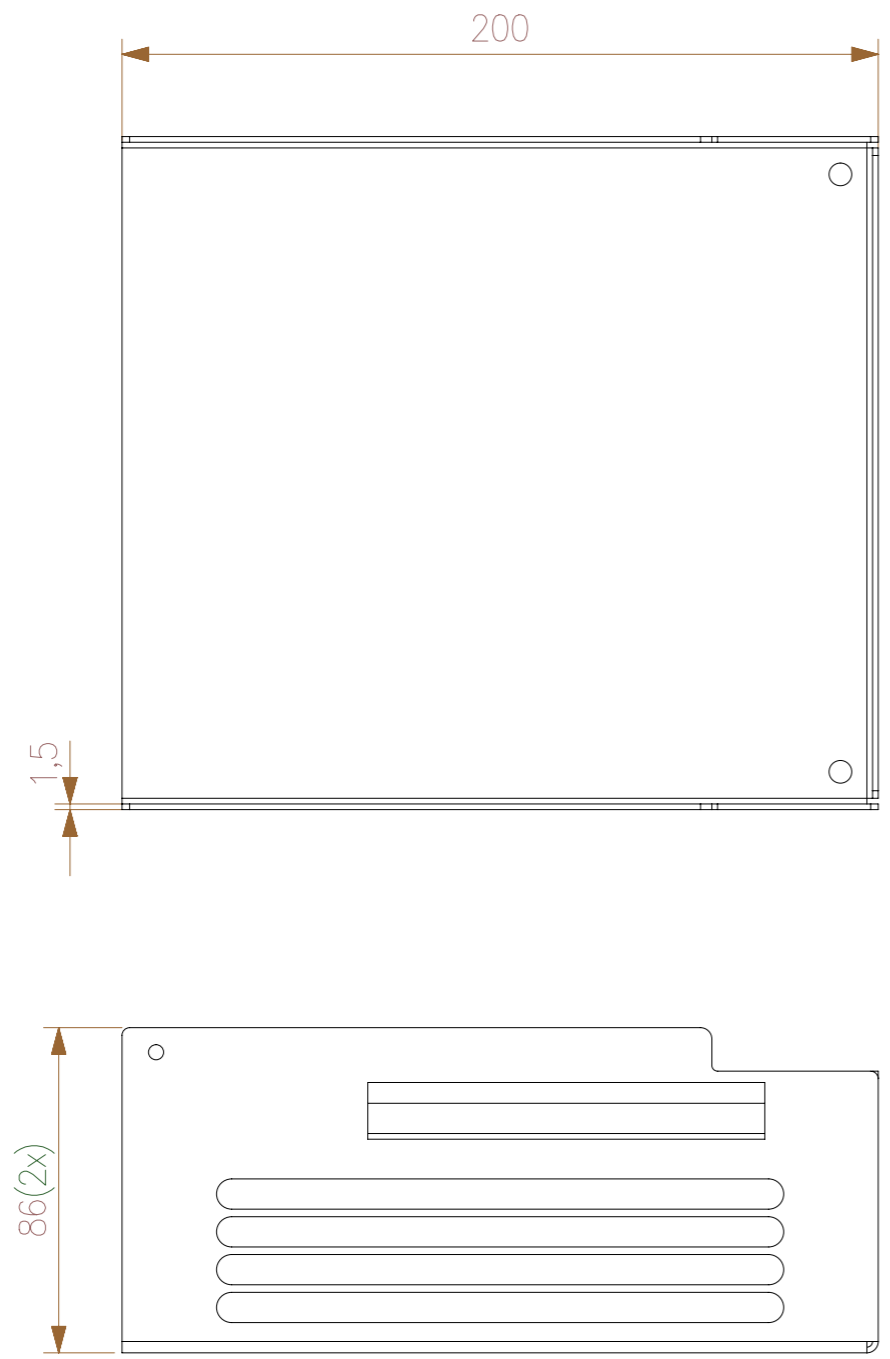
5KTA14.001

1 of 1

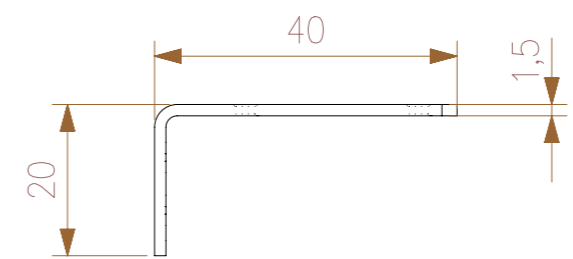
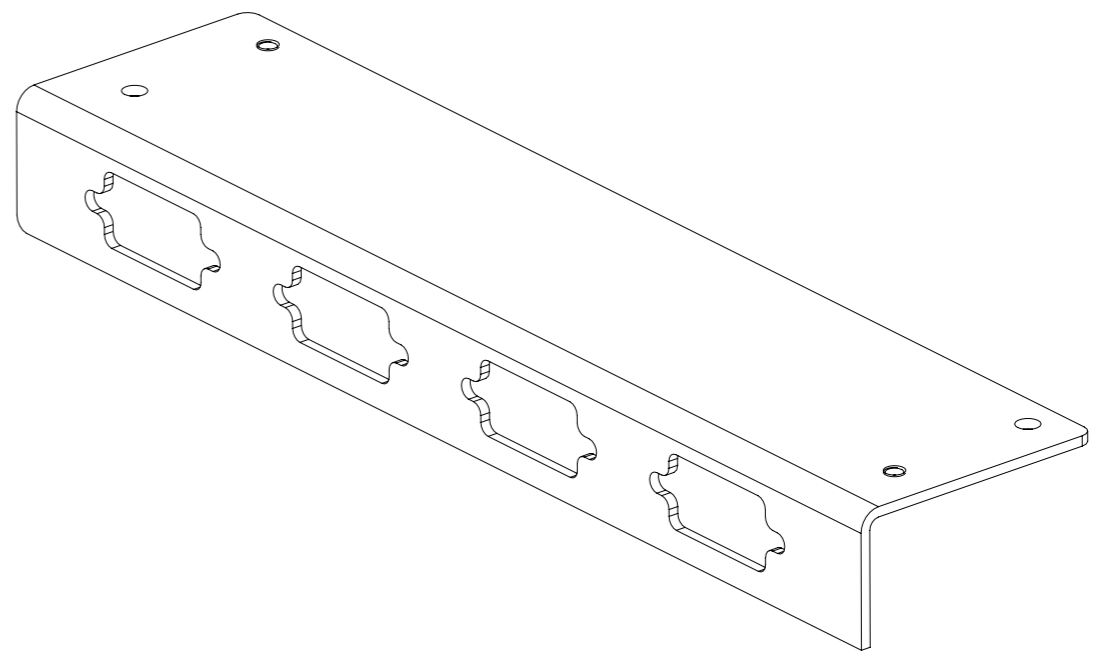
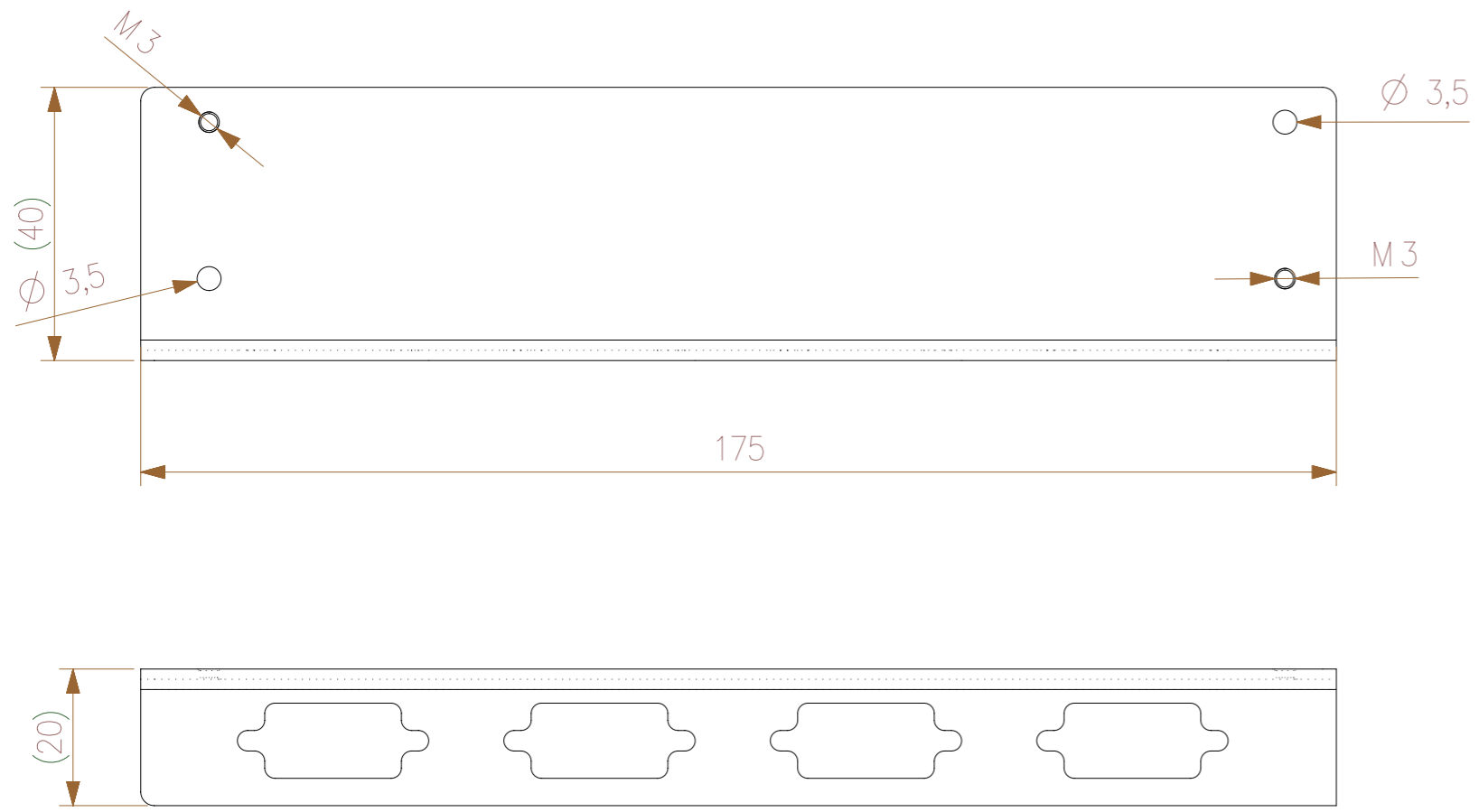
A3



Material:	Aluminum	Dimension:	0.5 thru 3	3 thru 6	6 Thru 30	30 thru 120	120 thru 400	400 thru 1000		
Treatment:	Black anodized	Tolerance:	±0.1	±0.1	±0.2	±0.3	±0.5	±0.8		
GENERAL TOLERANCES according to ISO 2768-mH										
		General Roughness:	12.5			Scale:	1:2			
		Drawn:	ACE		Date:	26-11-2013		Unit:	mm	
		Approved:	-		Date:	-				
		Status:	-		Version:	1		Date:	26-11-2013	
Description:		CPU casing top plate							Drawing nr:	5KTA14.002
Document ID:		-		Sheet:		1 of 1		Size:	A3	



Material:	Aluminum	Dimension:	0.5 thru 3	3 thru 6	6 Thru 30	30 thru 120	120 thru 400	400 thru 1000	
Treatment:	Black anodized	Tolerance:	±0.1	±0.1	±0.2	±0.3	±0.5	±0.8	
		GENERAL TOLERANCES according to ISO 2768-mH							
		General Roughness:	12.5			Scale:	1:2		
		Drawn:	ACE		Date:	14-11-2013			
		Approved:	-		Date:	-			
		Status:	-		Version:	1		Date:	14-11-2013
Description:		CPU casing bottom plate							
		Drawing nr: 5KTA14.003							
Document ID:	-	Sheet:	1 of 1		Size:	A3			



Material:	Aluminum	Dimension:	0,5 thru 3	3 thru 6	6 Thru 30	30 thru 120	120 thru 400	400 thru 1000	
Treatment:	Black anodized	Tolerance:	±0.1	±0.1	±0.2	±0.3	±0.5	±0.8	
		GENERAL TOLERANCES according to ISO 2768-mH							
		General Roughness:	12.5			Scale:	1:1		
		Drawn:	ACE		Date:	26-11-2013			
		Approved:	-		Date:	-			
		Status:	-		Version:	1		Date:	26-11-2013
Description:		CPU casing COM port plate							
		Drawing nr: 5KTA14.004							
Document ID:	-	Sheet:	1 of 1		Size:	A3			

1

2

3

4

F

F

E

E

D

D

C

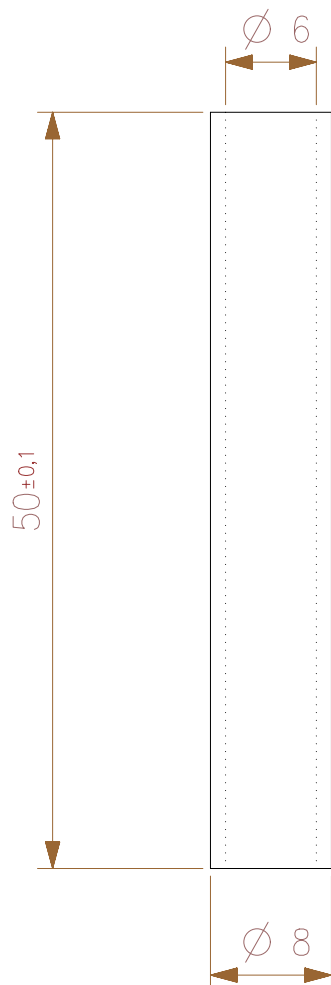
C

B

B

A

A



Material:	Aluminium buis 8x1 EN 755-8								
	Dimension:	0.5 thru 3	3 thru 6	6 Thru 30	30 thru 120	120 thru 400	400 thru 1000		
Treatment:	Black anodized								
	Tolerance:	± 0.1	± 0.1	± 0.2	± 0.3	± 0.5	± 0.8		
Description:	GENERAL TOLERANCES according to ISO 2768-mH								
	General Roughness:	12.5			Scale:	2:1			
	Unit:	mm							
	Drawn:	ACE				Date:	26-11-2013		
CPU casing spacer	Approved:	-				Date:	-		
	Status:	-		Version:	1		Date:	26-11-2013	
	Drawing nr:	5KTA14.005							
Document ID:	-		Sheet:		1 of 1		Size:	A4	

1

2

3

4

1 2 3 4 5 6 7 8

F

F

E

E

D

D

C

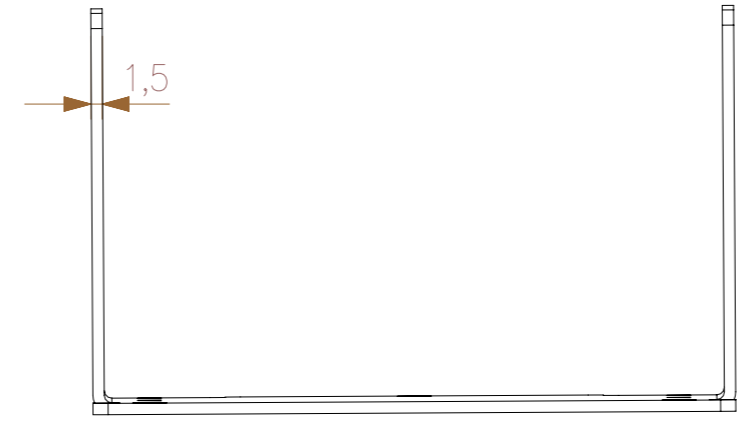
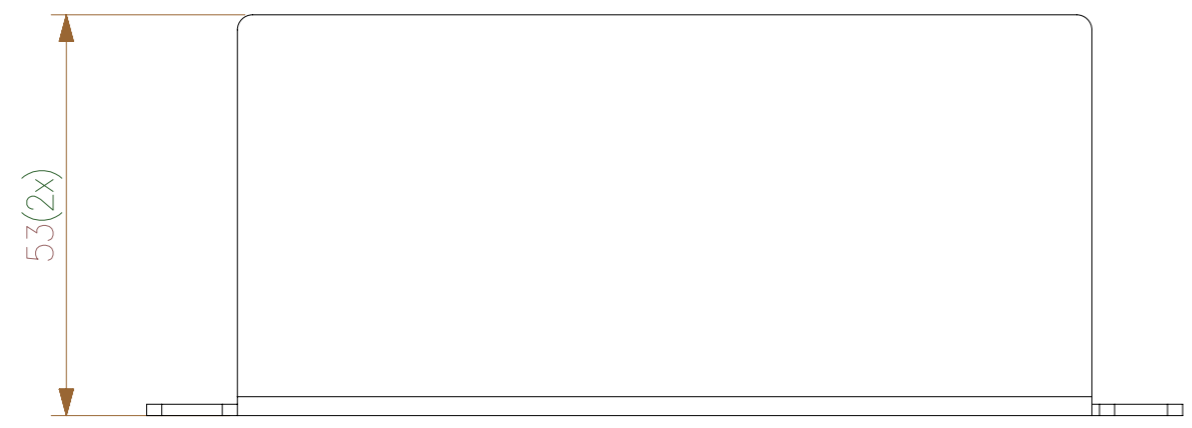
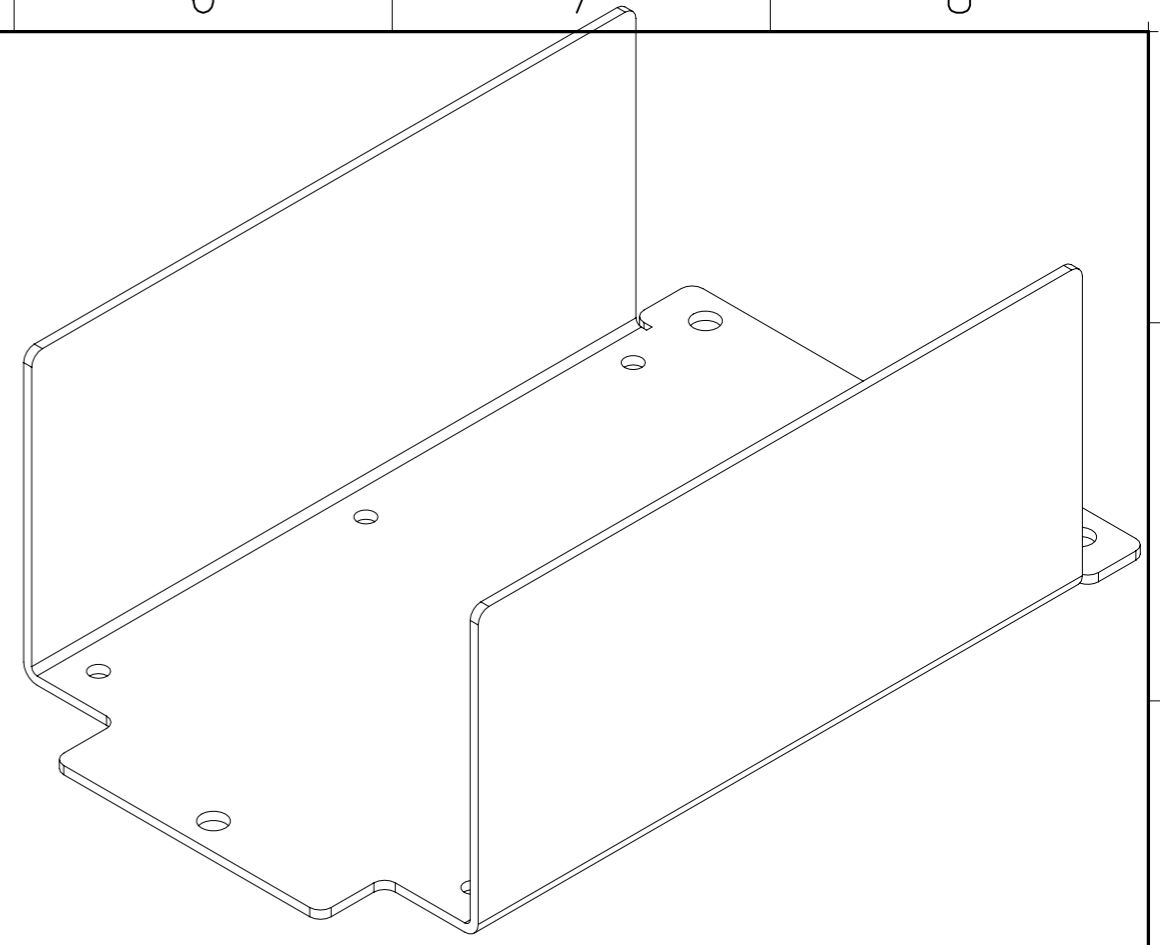
C

B

B

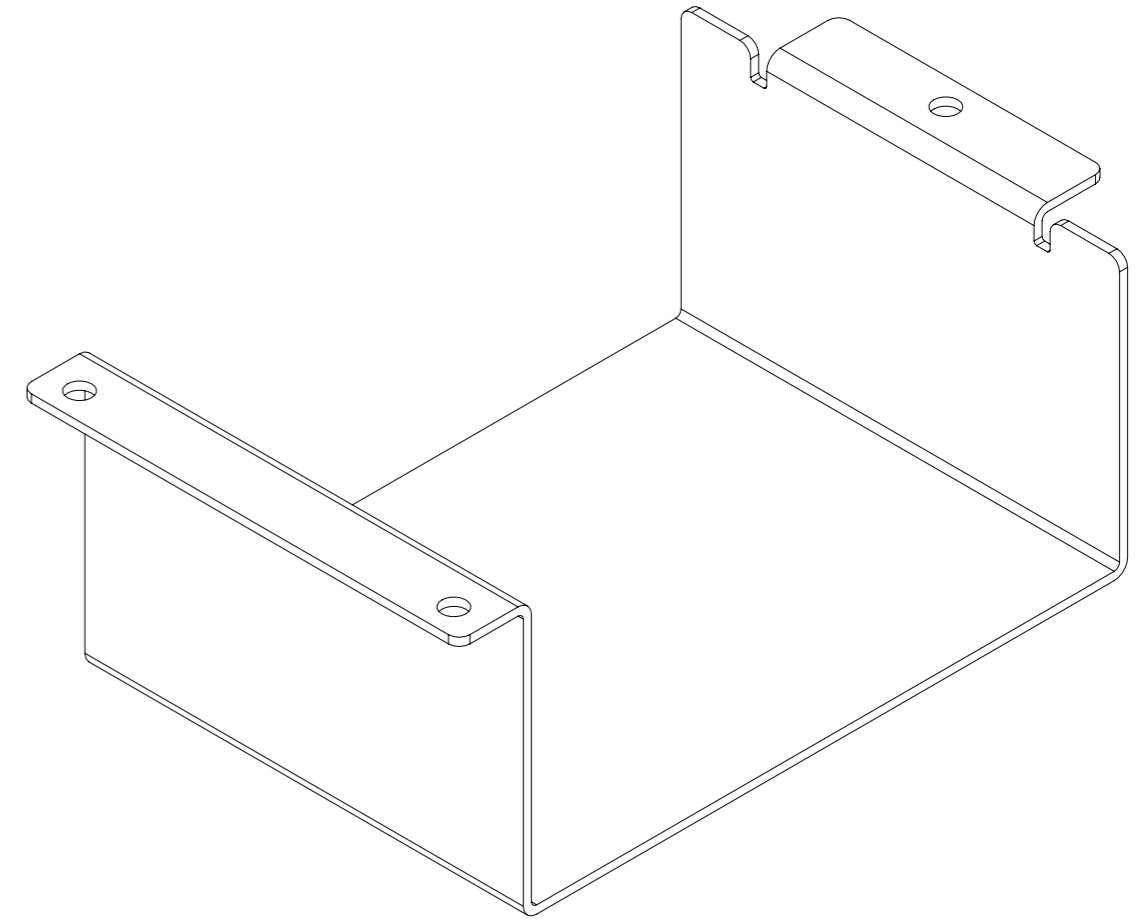
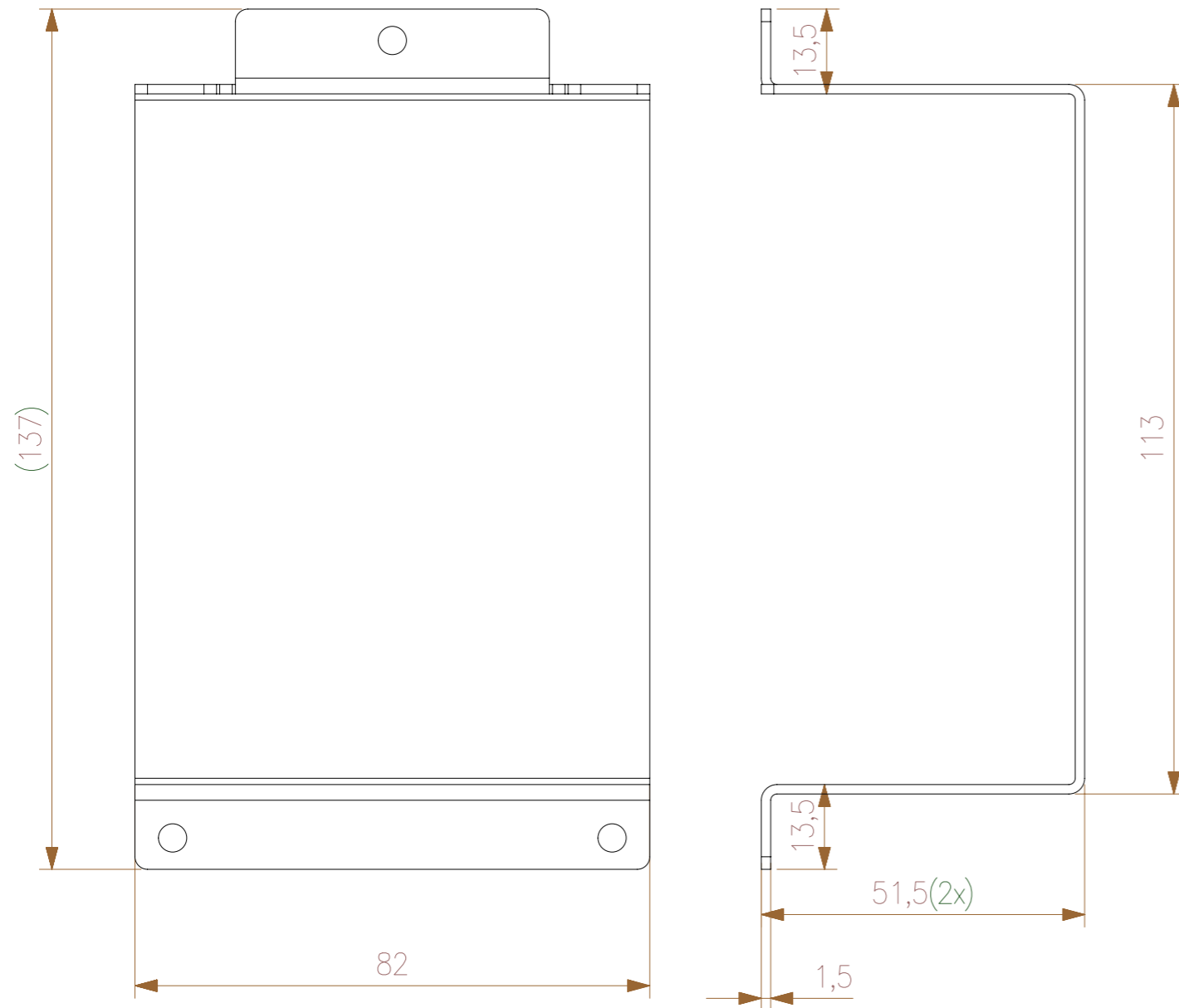
A

A

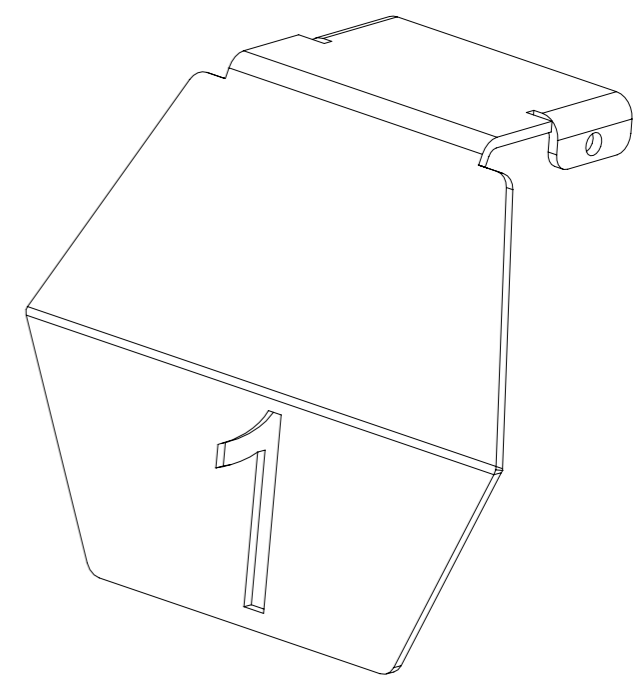
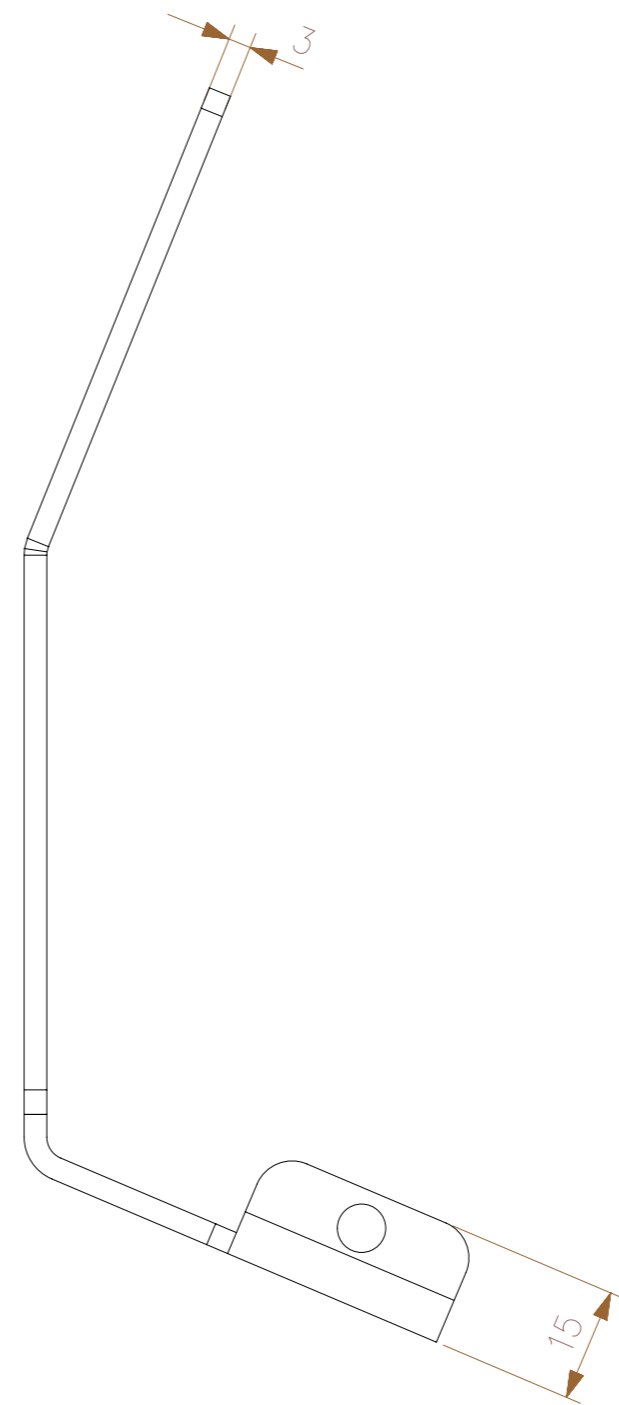
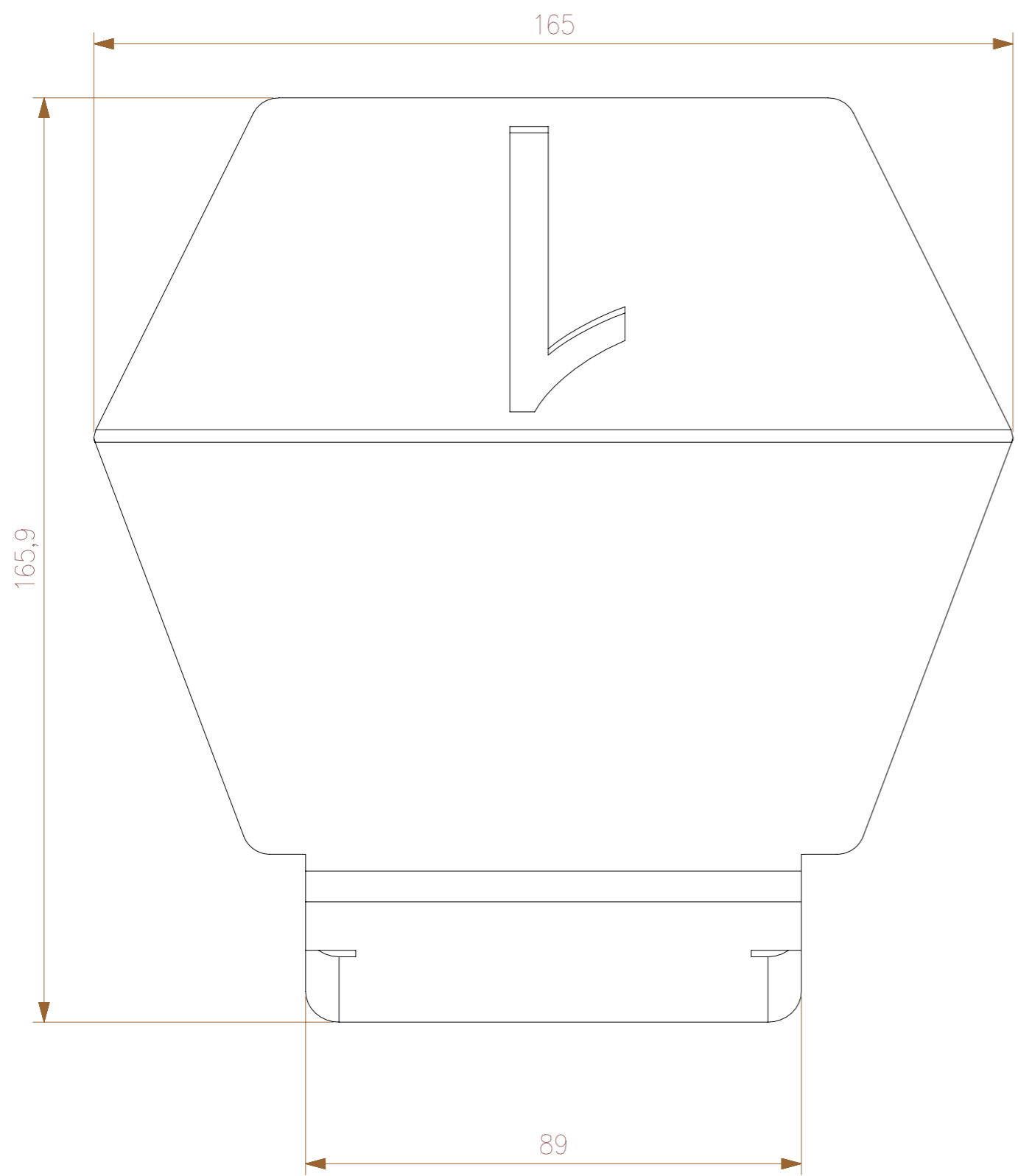


Material:	Aluminum											
Treatment:	Black anodized											
Dimension:	0,5 thru 3	3 thru 6	6 Thru 30	30 thru 120	120 thru 400	400 thru 1000						
Tolerance:	±0.1	±0.1	±0.2	±0.3	±0.5	±0.8						
GENERAL TOLERANCES according to ISO 2768-mH												
General Roughness:	12.5			Scale:	1:1							
Drawn:	ACE			Unit:	mm							
Approved:	-			Date:	29-11-2013							
Description:	High voltage mount											
							Status:	-		Version:	1	
							Date:	29-11-2013				
Document ID:	-				Drawing nr:	5KTA15.001						
				Sheet:	1 of 1							
				Size:	A3							

1 2 3 4 5 6 7 8



Material:	Aluminum	Dimension:	0.5 thru 3	3 thru 6	6 Thru 30	30 thru 120	120 thru 400	400 thru 1000
Treatment:	Black anodized	Tolerance:	±0.1	±0.1	±0.2	±0.3	±0.5	±0.8
		GENERAL TOLERANCES according to ISO 2768-mH						
		General Roughness:	12.5			Scale:	1:1	
		Drawn:	ACE		Date:	29-11-2013		
		Approved:	-		Date:	-		
		Status:	-		Version:	1	Date:	29-11-2013
Description:		High voltage cover						
		Drawing nr: 5KTA15.002						
Document ID:	-	Sheet:	1 of 1		Size:	A3		

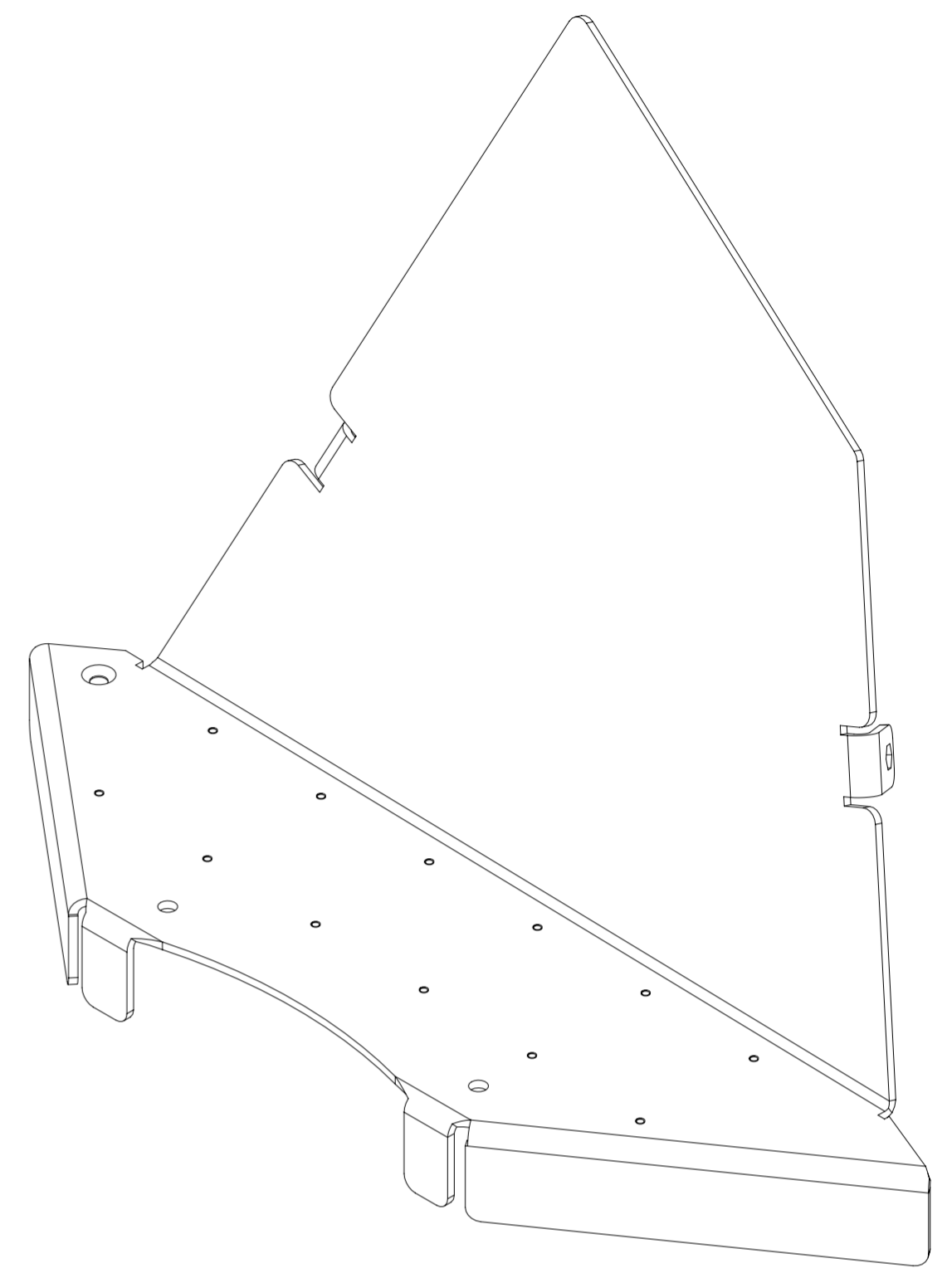
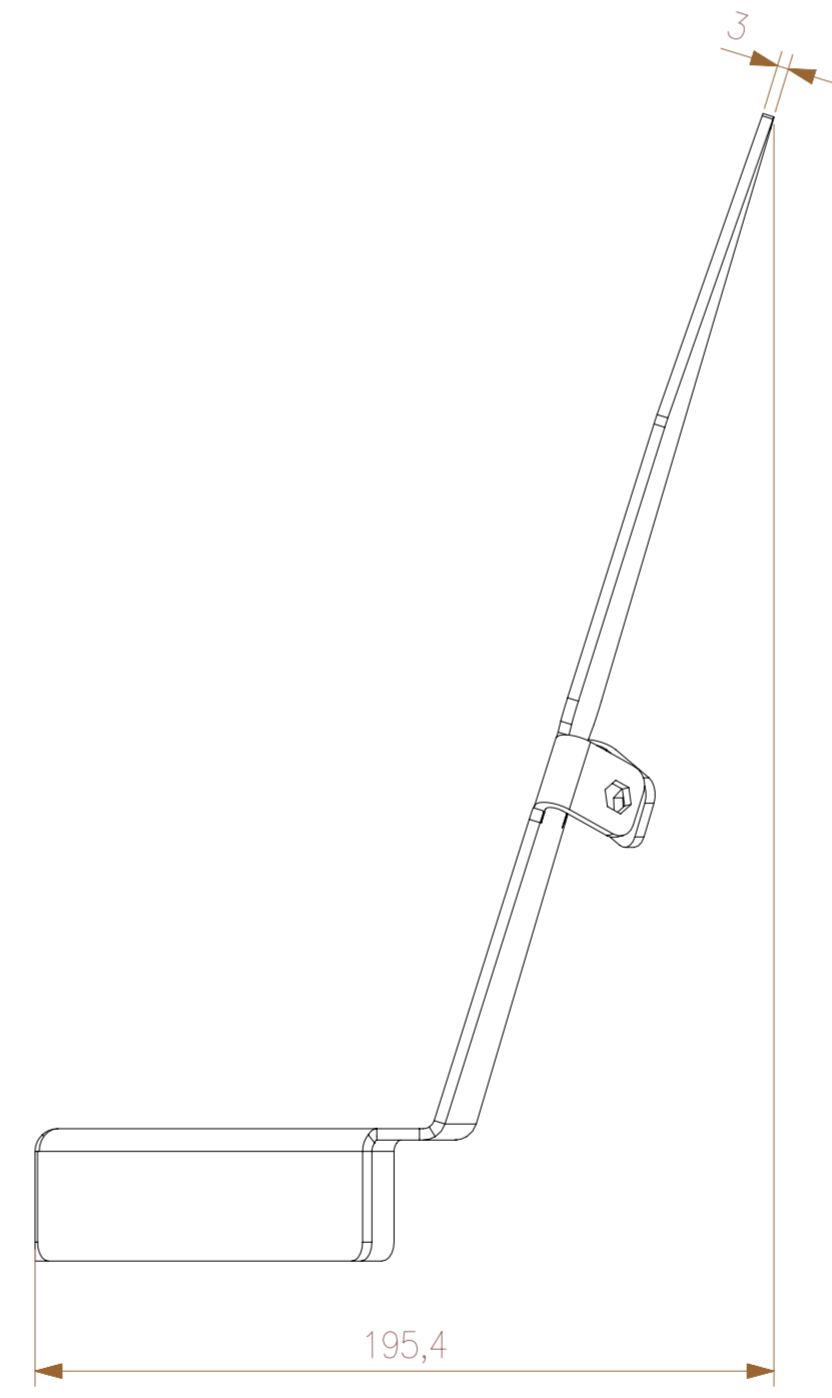
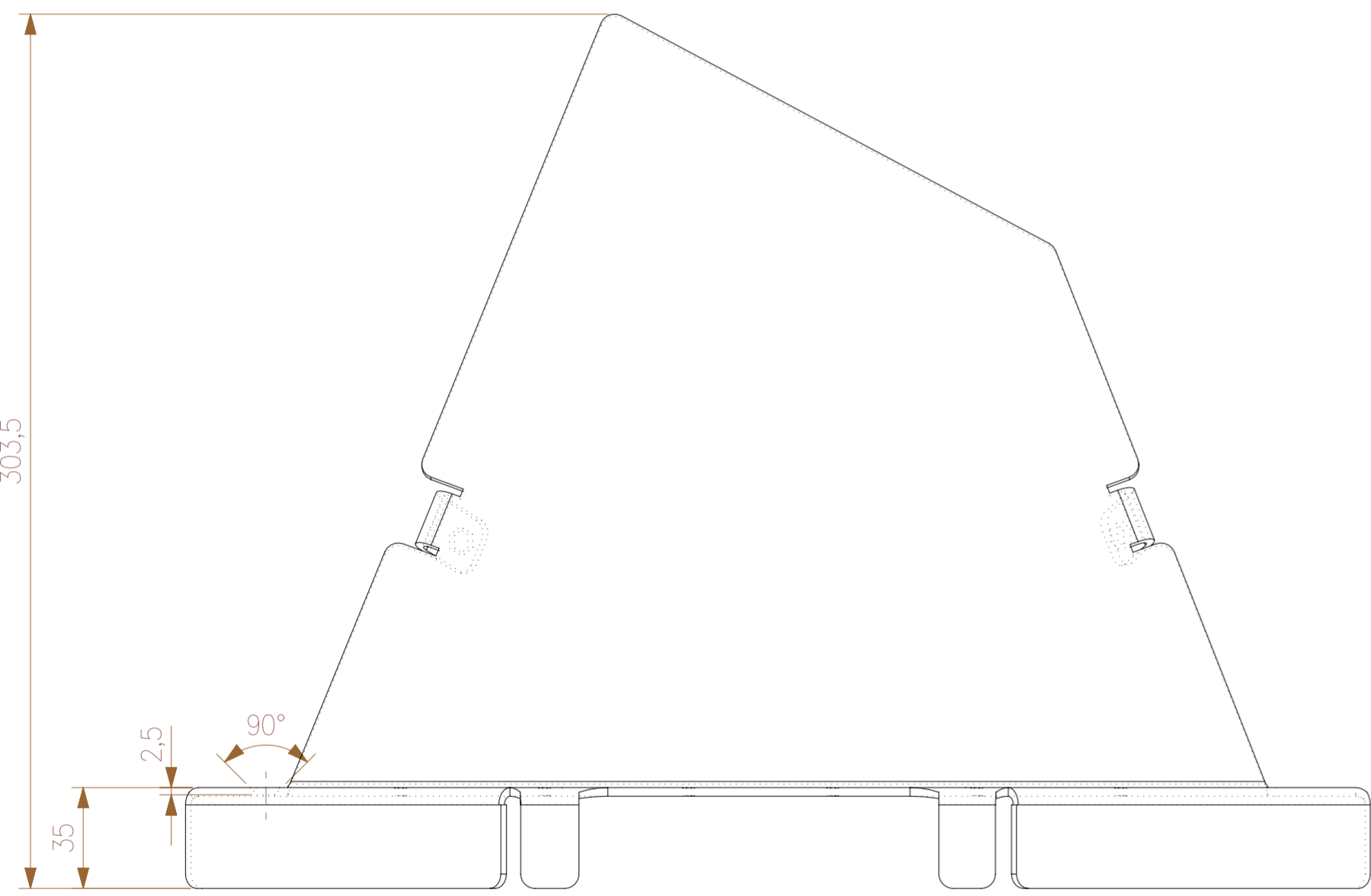
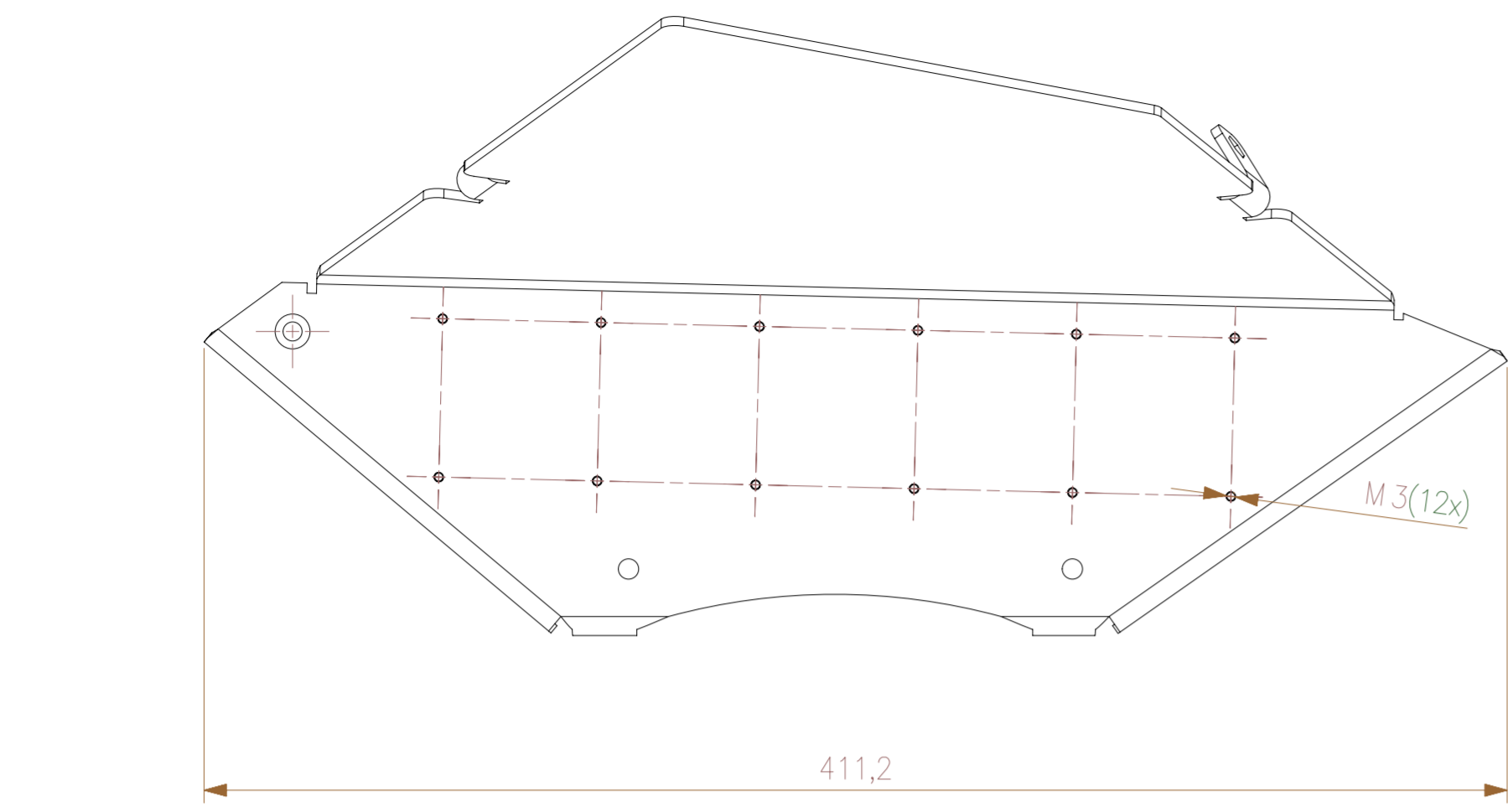


Numbering goes from 1 to 6

Material:	ABS	Dimension:	0,5 thru 3	3 thru 6	6 Thru 30	30 thru 120	120 thru 400	400 thru 1000
Treatment:	-	Tolerance:	±0.1	±0.1	±0.2	±0.3	±0.5	±0.8
		GENERAL TOLERANCES according to ISO 2768-mH						
		General Roughness:	12.5			Scale:	1:1	
		Drawn:	ACE			Unit:	mm	
		Approved:	-			Date:	29-11-2013	
Description:		Status:	-		Version:	1	Date:	29-11-2013
		Drawing nr: 5KTA16.001.1						
Document ID:	-	Sheet:	1 of 1			Size:	A3	

Face plate

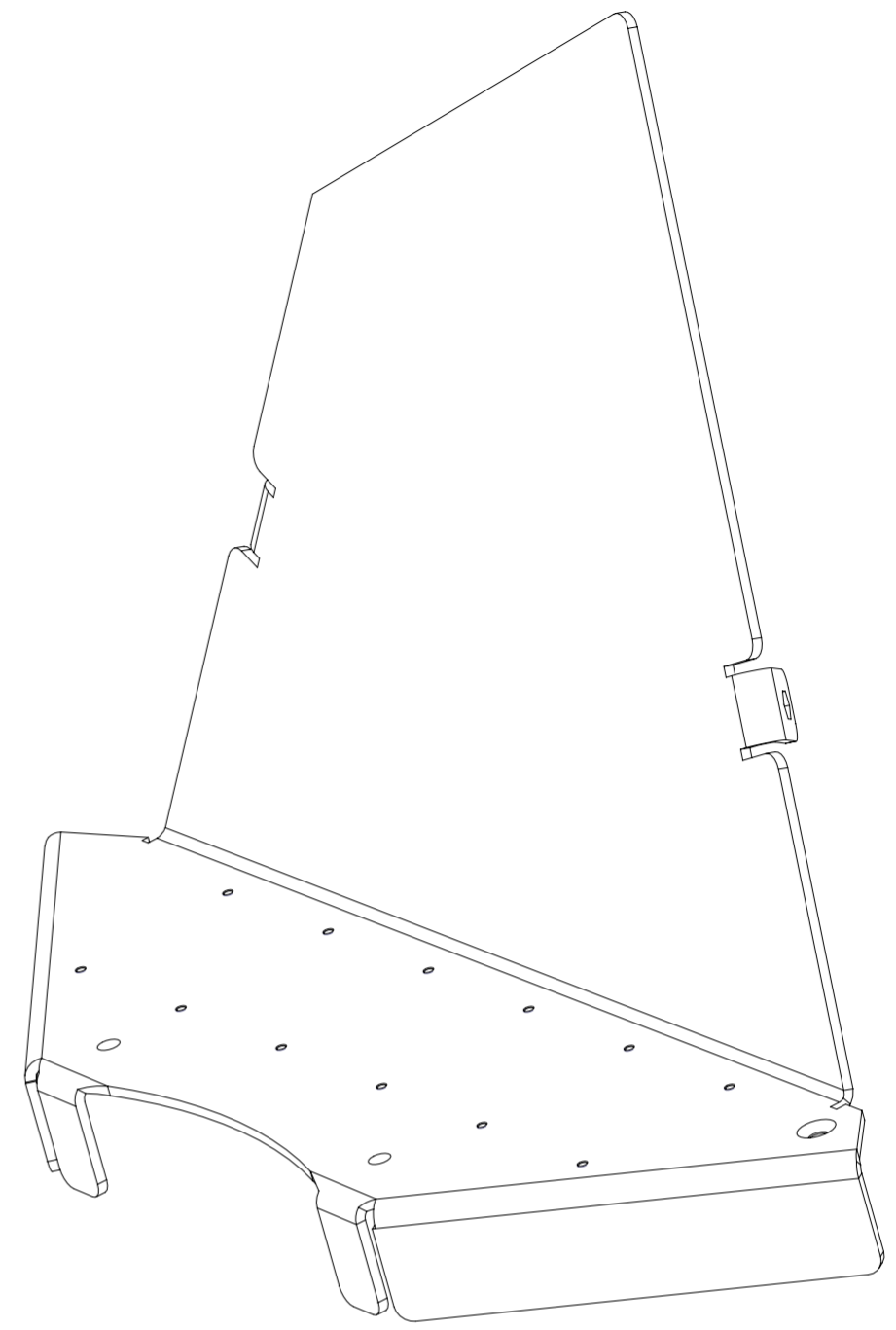
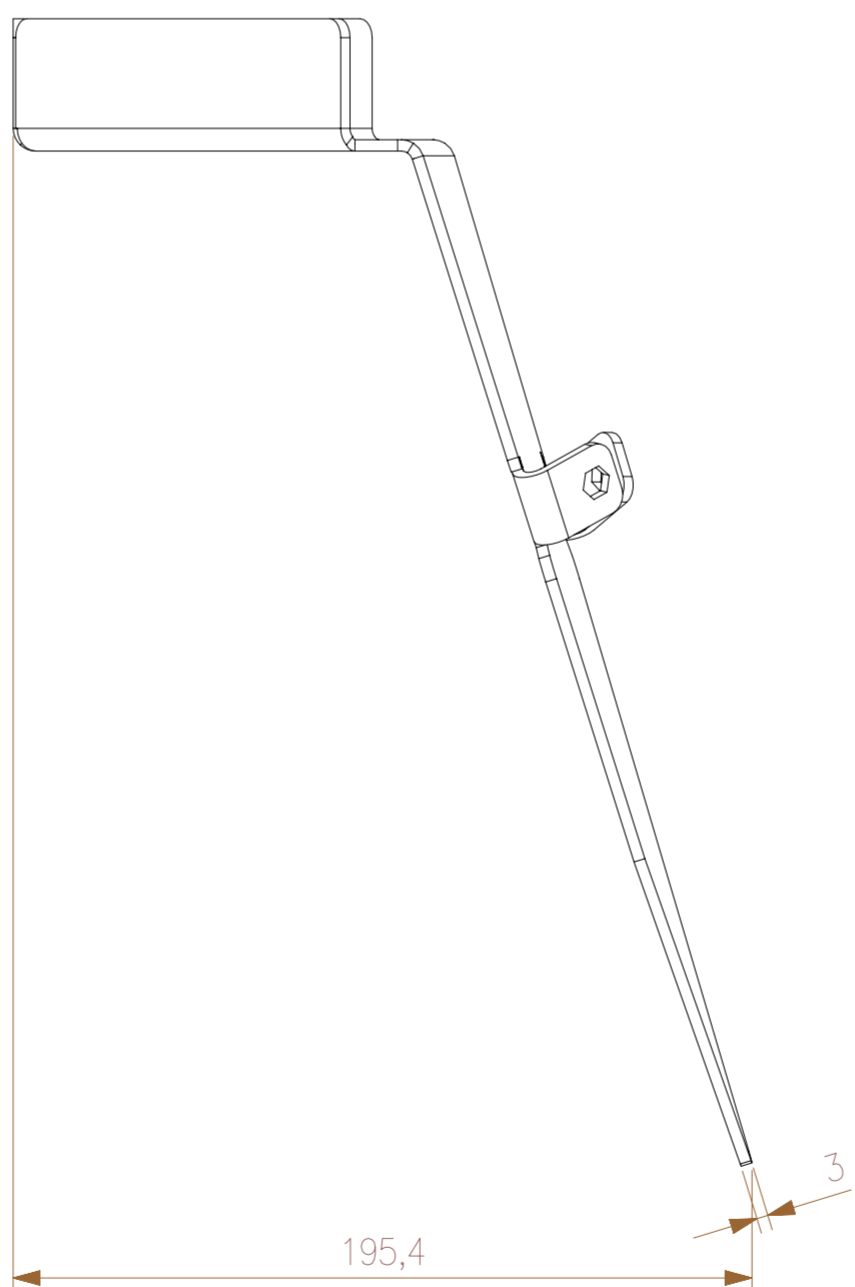
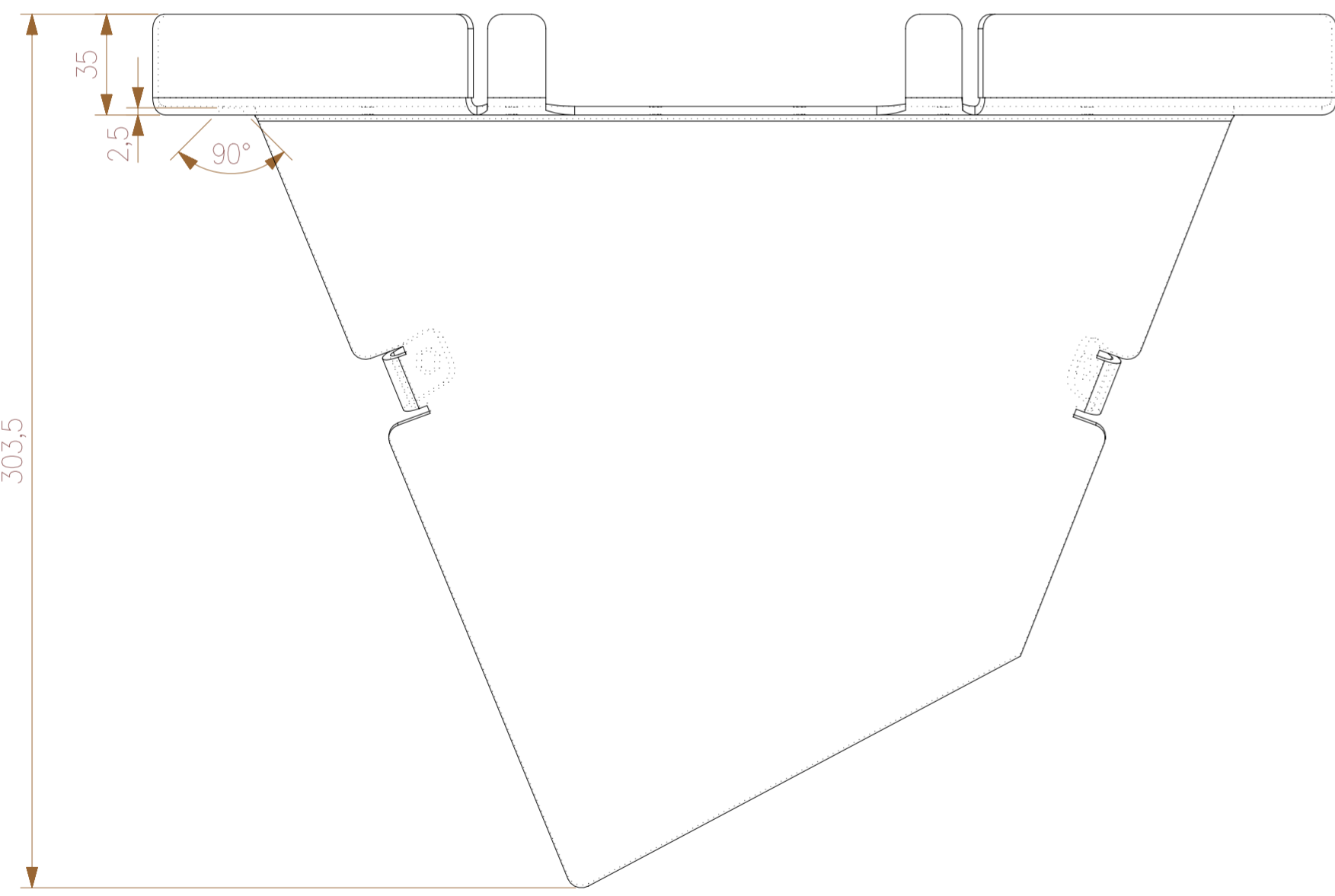
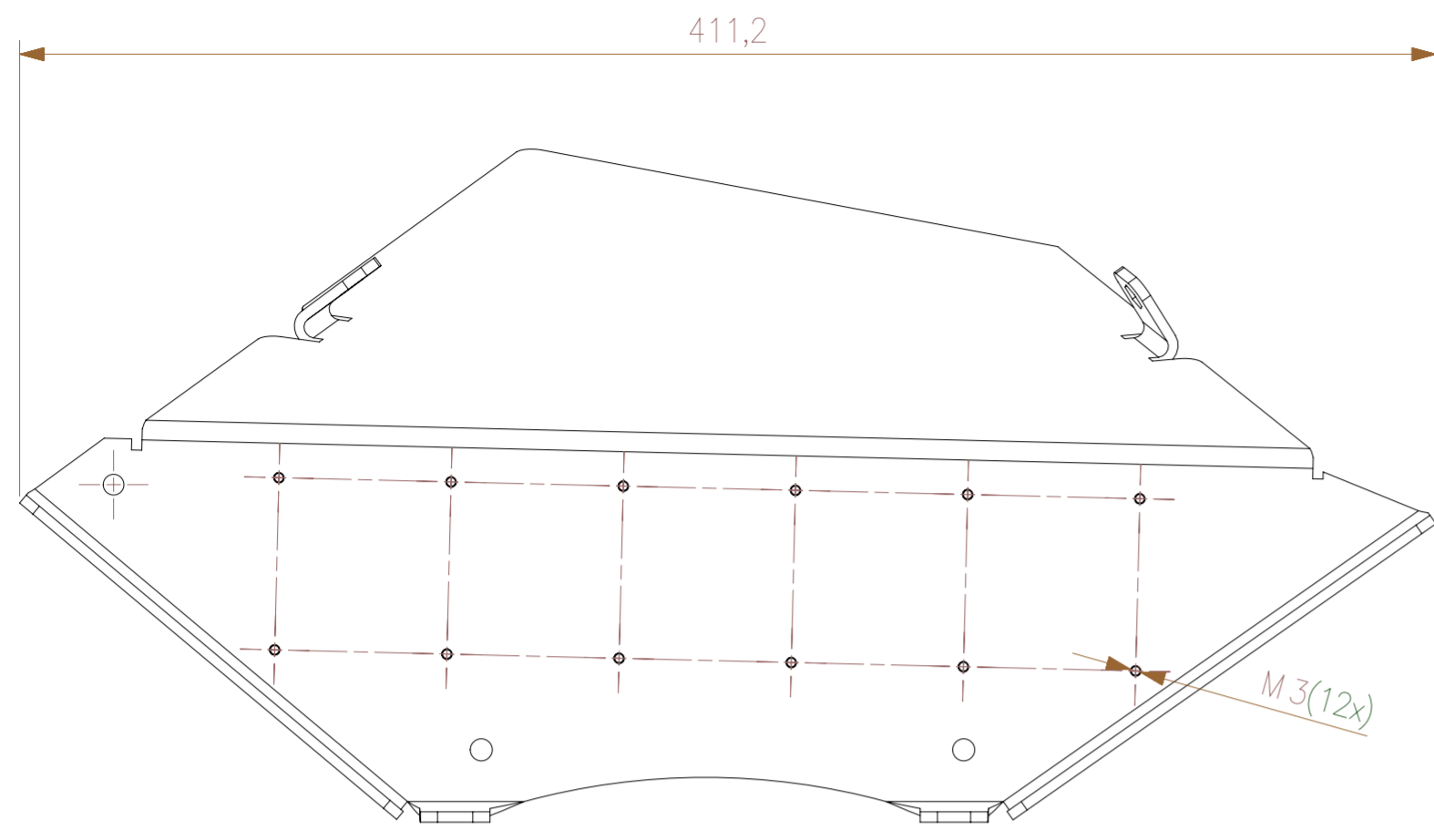
5KTA16.001.1



Material: Aluminum	Dimension:	0,5 thru 3	3 thru 6	6 thru 30	30 thru 120	120 thru 400	400 thru 1000
	Tolerance:	±0,1	±0,1	±0,2	±0,3	±0,5	±0,8
Treatment: Black anodized	GENERAL TOLERANCES according to ISO 2768-mH						
General Roughness: 12,5	Scale:	1:2					
	Unit:	mm					
Drawn: ACE	Date:	29-11-2013					
Approved: -	Date:	-					
Description: Mid plate left	Status:	-	Version:	1	Date:	29-11-2013	
	Drawing nr:	5KTA16.002					
Document ID: -	Sheet:	1 of 1				Size:	A2

1 2 3 4 5 6 7 8

F
E
D
C
B
A



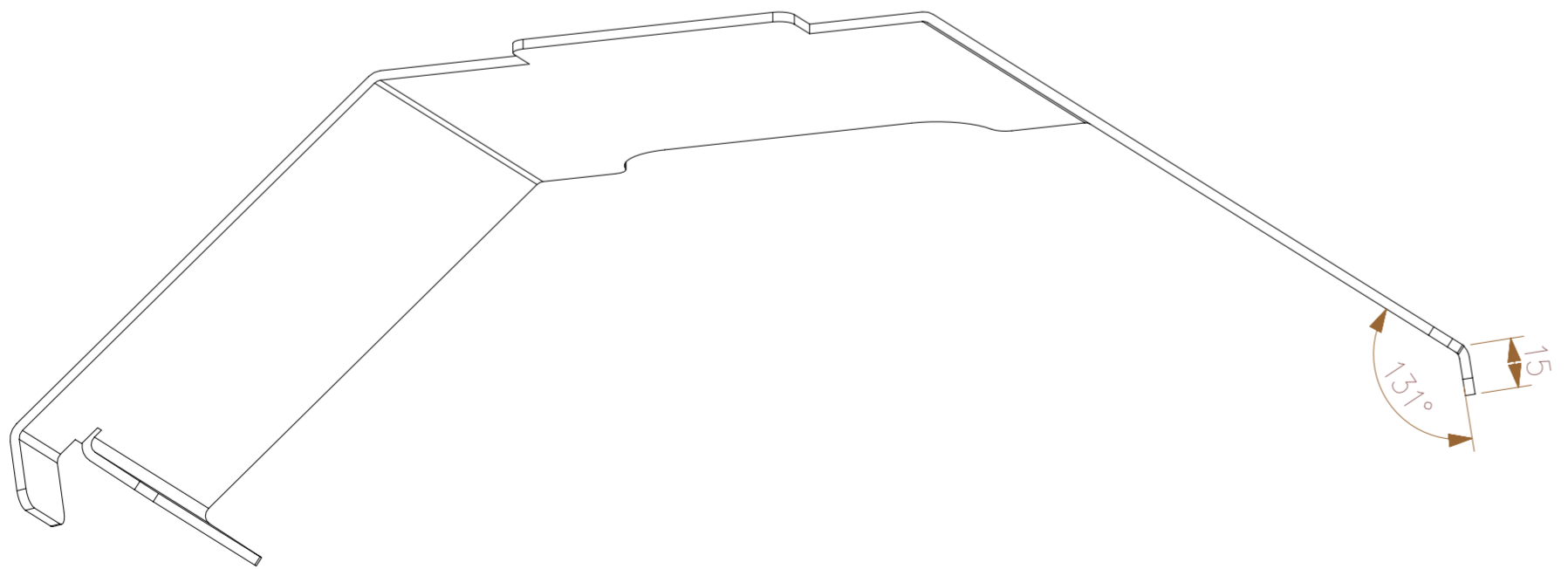
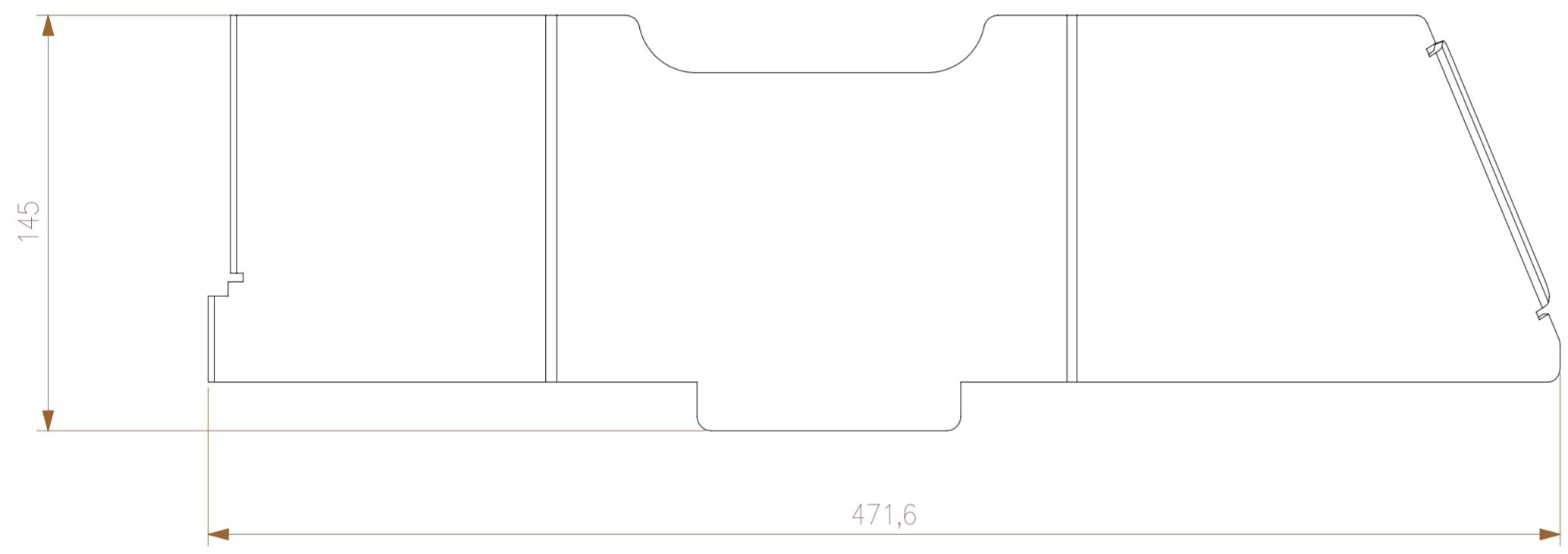
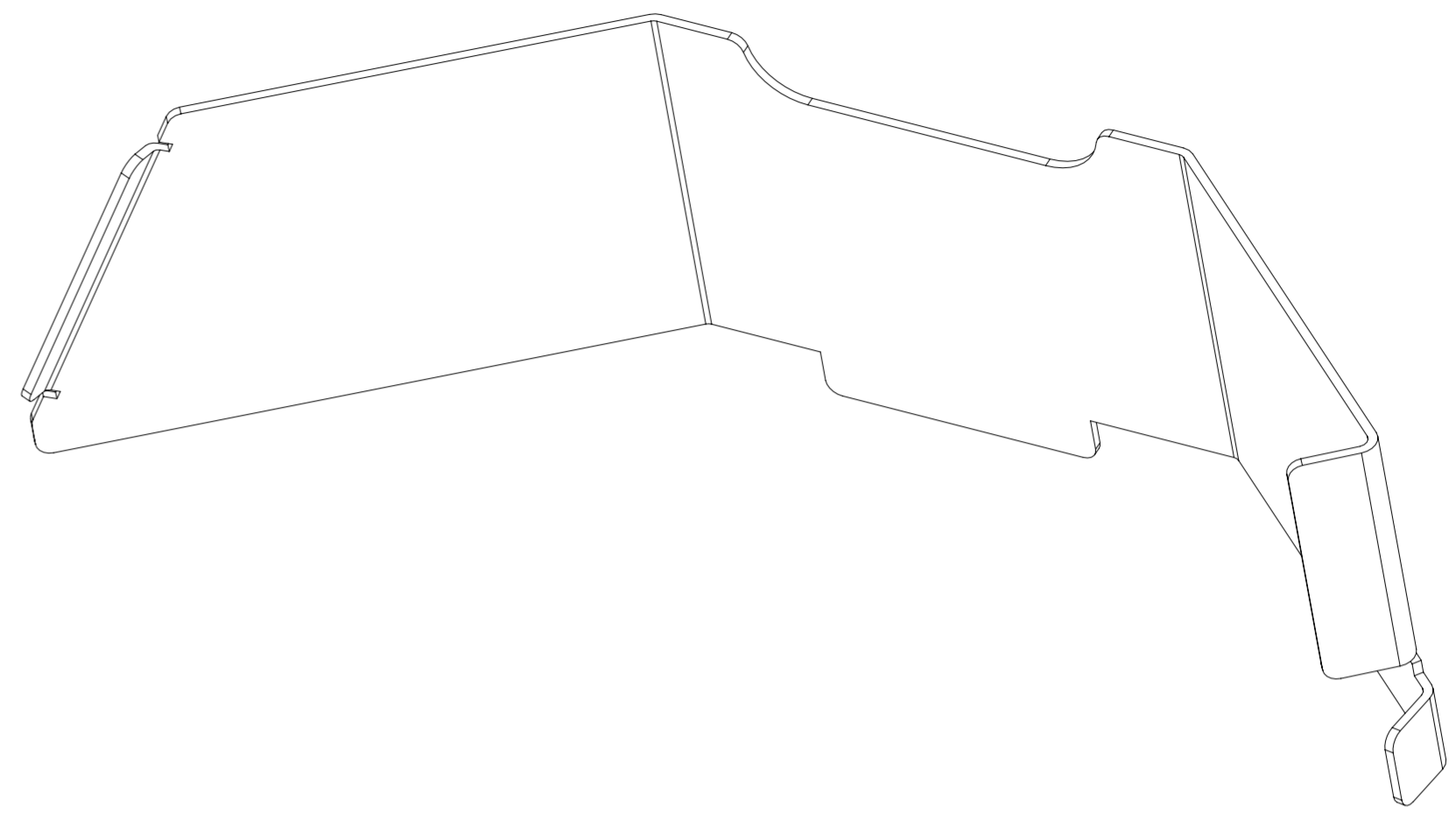
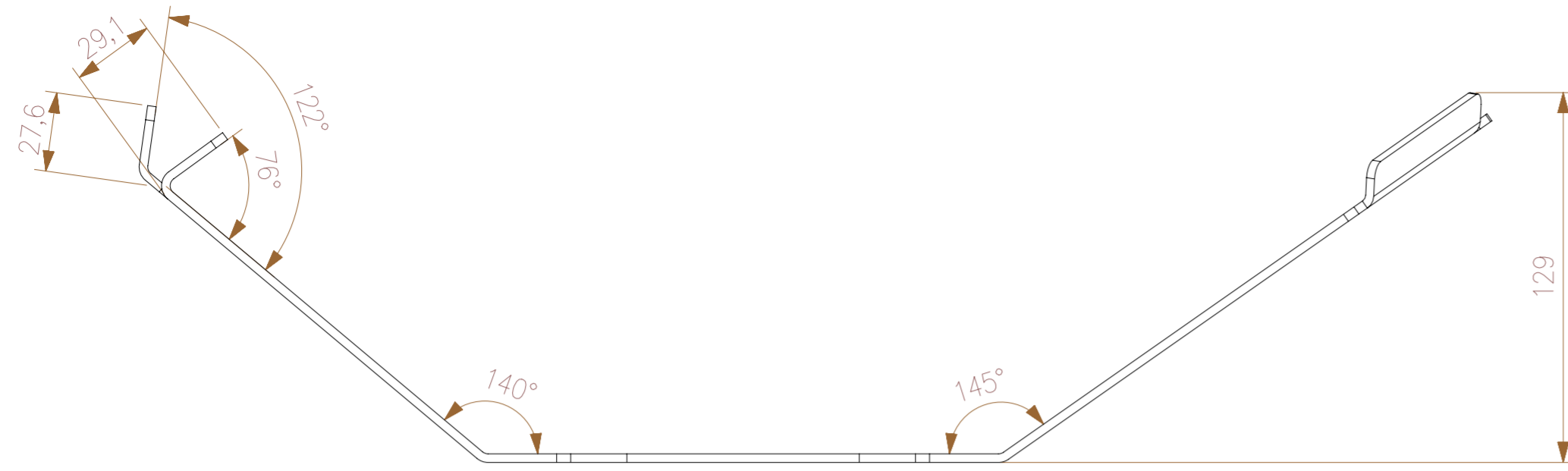
Material: Aluminum	Dimension:	0,5 thru 3	3 thru 6	6 thru 30	30 thru 120	120 thru 400	400 thru 1000
	Tolerance:	±0,1	±0,1	±0,2	±0,3	±0,5	±0,8
Treatment: Black anodized	GENERAL TOLERANCES according to ISO 2768-mH						
Description: Mid plate right	General Roughness:	12,5			Scale:	1:1	
	Drawn:	ACE		Unit:	mm		
Document ID: -	Approved:	-		Date:	29-11-2013		
	Status:	-		Version:	1		
Drawing nr:	-		Date:	29-11-2013			
	-			5KTA16.003			
Sheet:	1 of 1		Size:	A2			

1 2 3 4 5 6 7 8

1 2 3 4 5 6 7 8

F
E
D
C
B
A

F
E
D
C
B
A



1 2 3 4 5 6 7 8

Material:	ABS	Dimension:	0.5 thru 3	3 thru 6	6 thru 30	30 thru 120	120 thru 400	400 thru 1000
Treatment:	-	Tolerance:	±0.1	±0.1	±0.2	±0.3	±0.5	±0.8
		GENERAL TOLERANCES according to ISO 2768-mH						
		General Roughness:	12.5			Scale:	1:2	
		Drawn:	ACE			Unit:	mm	
		Approved:	-			Date:	29-11-2013	
Description:		Status:	-	Version:	1	Date:	29-11-2013	
		Drawing nr:						
		5KTA16.004						
Document ID:	-	Sheet:	1 of 1		Size:	A2		

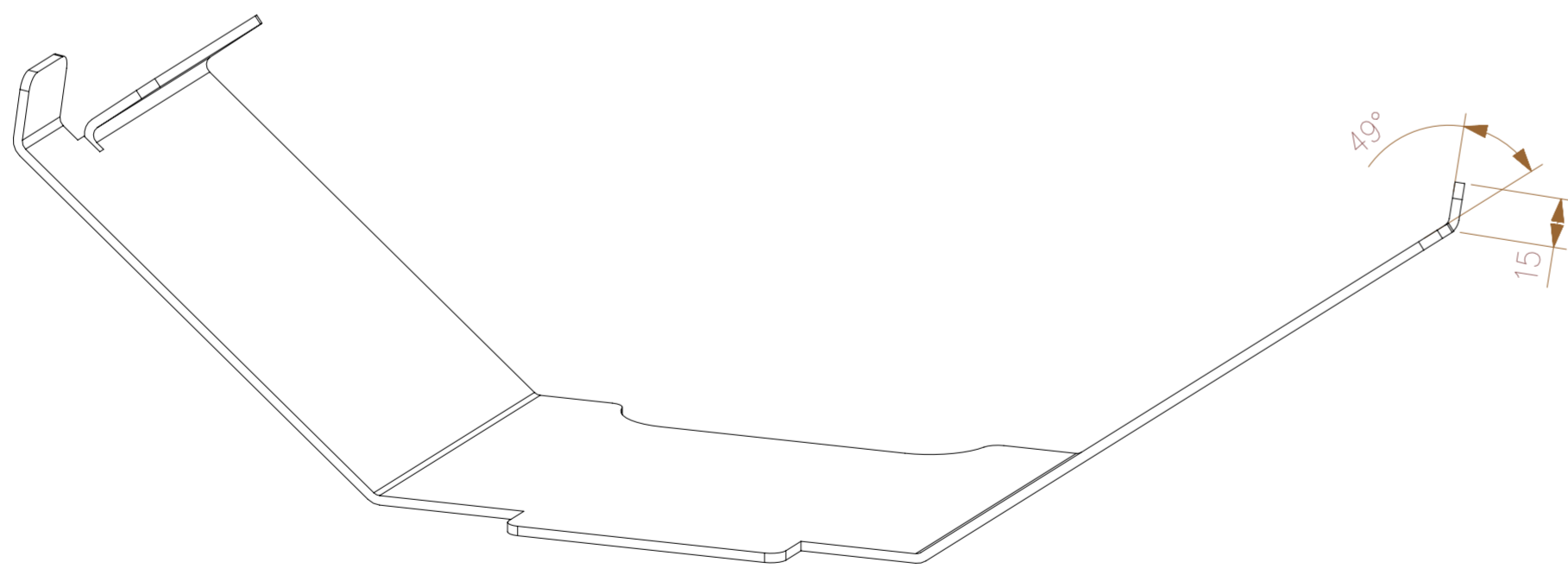
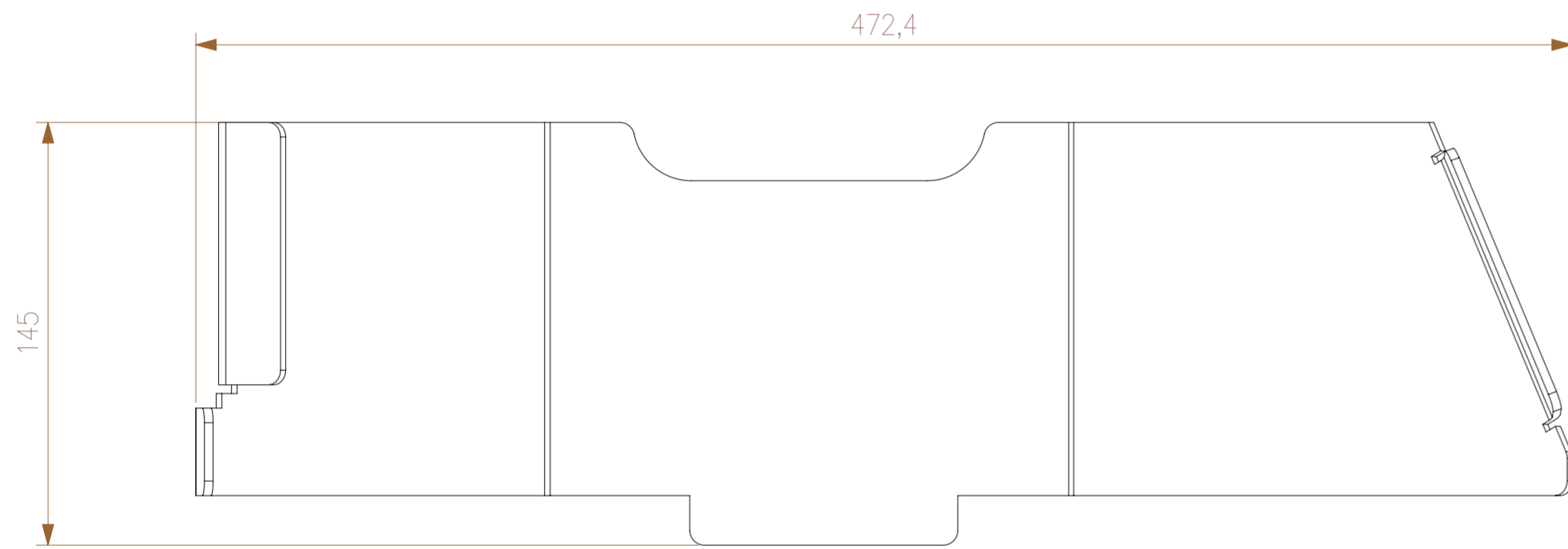
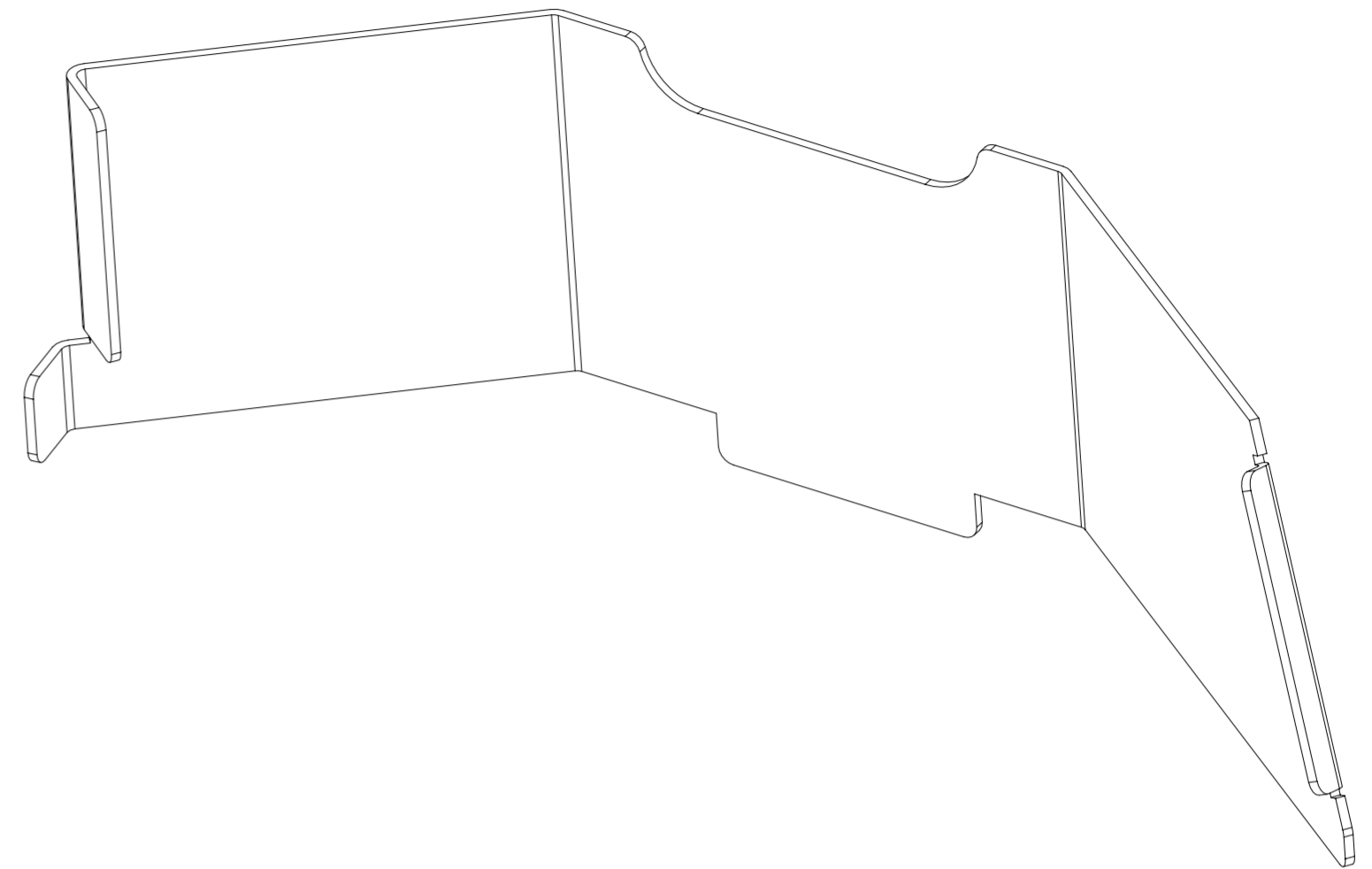
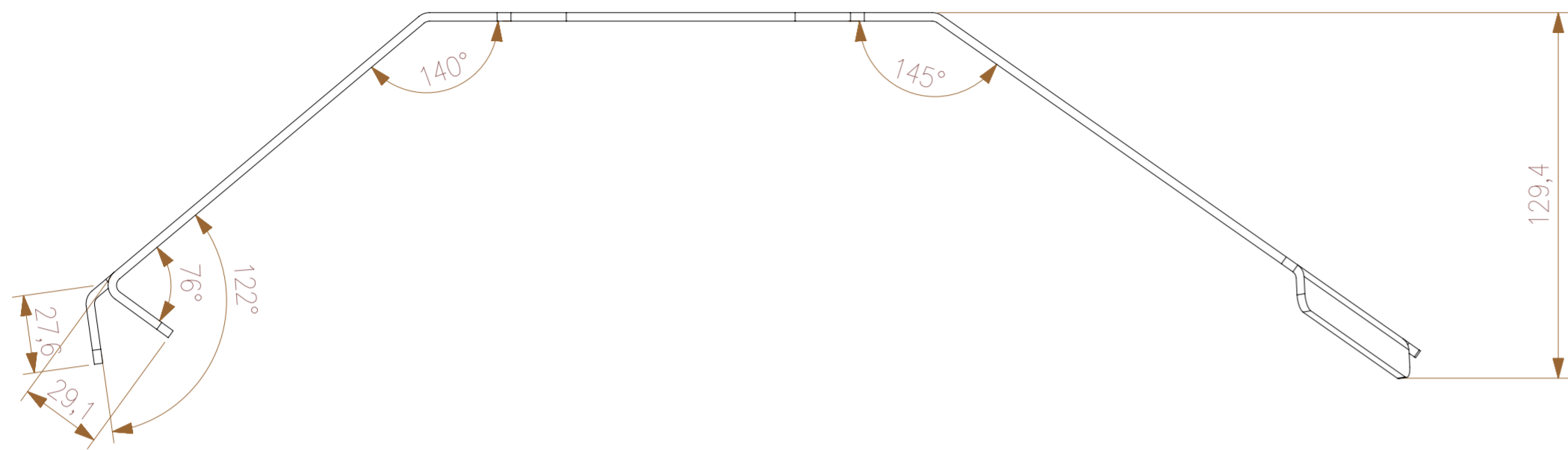
Side plate left

5KTA16.004

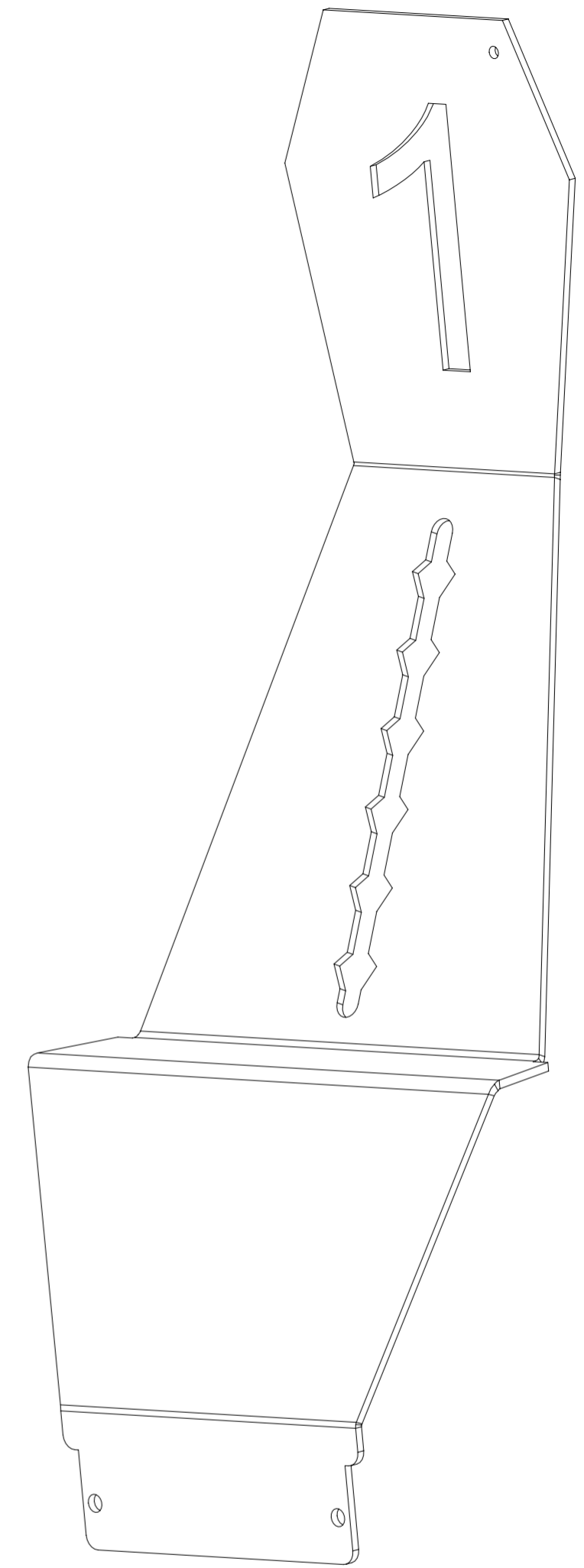
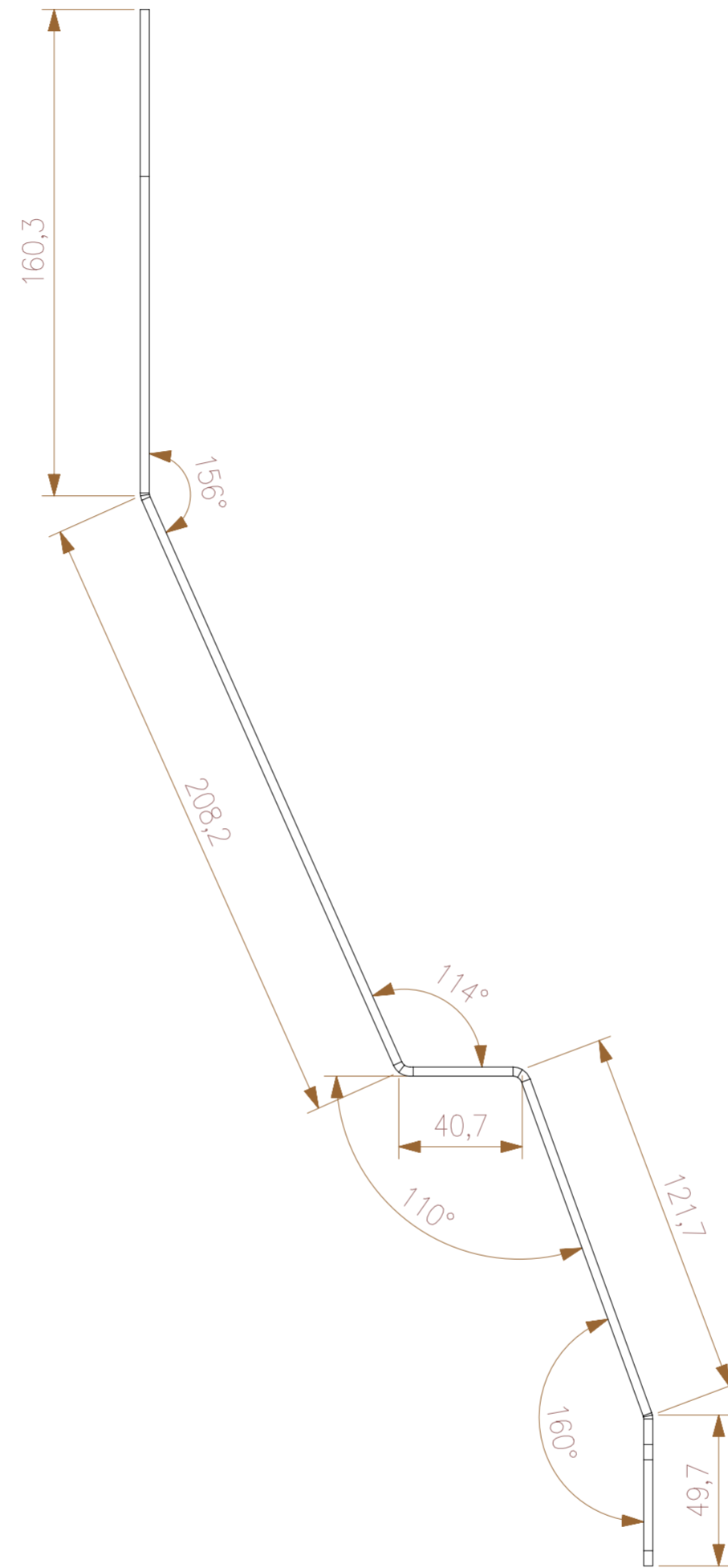
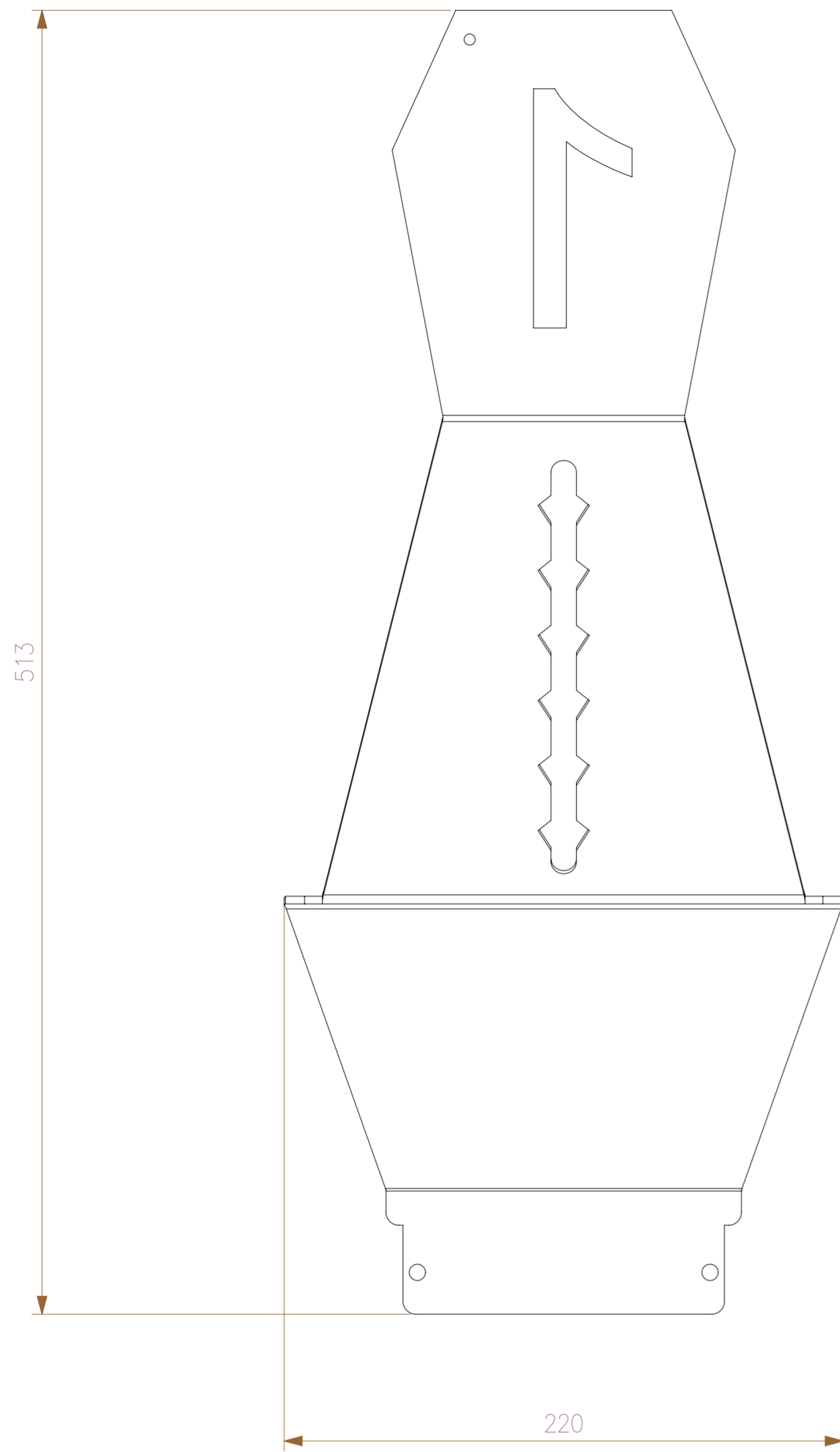
1 2 3 4 5 6 7 8

F
E
D
C
B
A

F
E
D
C
B
A



Material:	ABS						
Treatment:	-						
Dimension:	0.5 thru 3	3 thru 6	6 thru 30	30 thru 120	120 thru 400	400 thru 1000	
Tolerance:	±0.1	±0.1	±0.2	±0.3	±0.5	±0.8	
GENERAL TOLERANCES according to ISO 2768-mH							
General Roughness:	12.5				Scale:	1:2	
Drawn:	ACE		Date:		29-11-2013		
Approved:	-		Date:		-		
Description:	Side plate right			Status:	-	Date:	29-11-2013
Document ID:	-			Version:	1	Drawing nr:	5KTA16.005
				Sheet:	1 of 1	Size:	A2

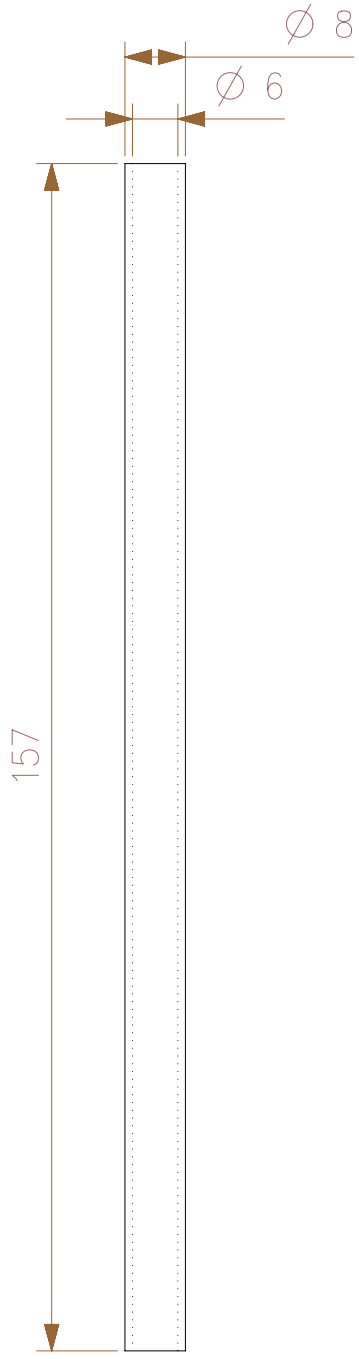


Numbering goes from 1 to 6

Material: ABS	Dimension:	0,5 thru 3	3 thru 6	6 Thru 30	30 thru 120	120 thru 400	400 thru 1000
	Tolerance:	±0,1	±0,1	±0,2	±0,3	±0,5	±0,8
Treatment: -	GENERAL TOLERANCES according to ISO 2768-mH						
Description: Back plate 1	General Roughness: 12.5			Scale: 1:2	Unit: mm		
	Drawn: ACE	Date: 29-11-2013		Approved: -			
Document ID: -	Status: -	Version: 1	Date: 29-11-2013				
	Drawing nr: 5KTA16.006.1						
Sheet: 1 of 1							Size: A2

1 2 3 4

F
E
D
C
B
A



Material:	Aluminium buis 8x1 EN 755-8							
	Dimension:	0.5 thru 3	3 thru 6	6 Thru 30	30 thru 120	120 thru 400	400 thru 1000	
Treatment:	-							
GENERAL TOLERANCES according to ISO 2768-mH								
General Roughness:	12.5			Scale: 1:1				
				Unit: mm				
Drawn:	ACE				Date: 29-11-2013			
Approved:	-				Date: -			
Description:	Cover spacer				Status:	-	Date:	-
					Status:	-	Version:	1
Drawing nr:				5KTA16.007				
Document ID:	-			Sheet:	1 of 1		Size:	A4

1 2 3 4

1

2

3

4

F

F

E

E

D

D

C

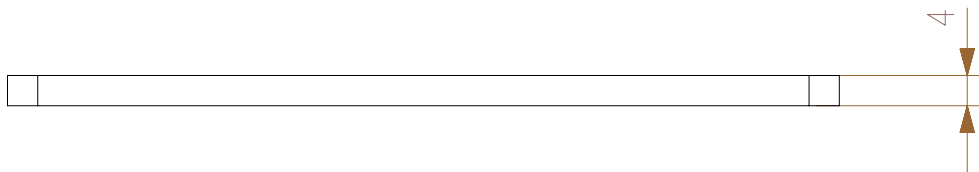
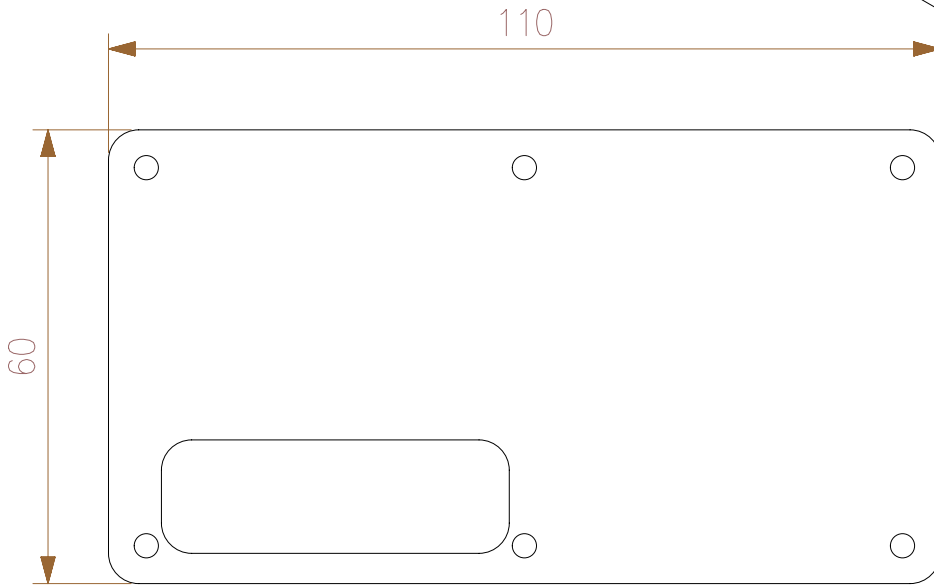
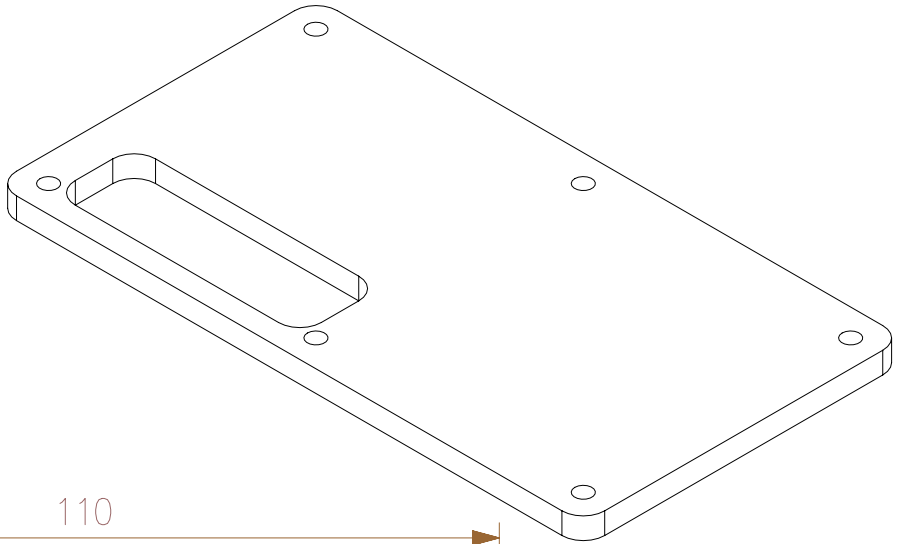
C

B

B

A

A



Material:	Aluminum	Dimension:	0.5 thru 3	3 thru 6	6 Thru 30	30 thru 120	120 thru 400	400 thru 1000			
		Tolerance:	±0.1	±0.1	±0.2	±0.3	±0.5	±0.8			
Treatment:	-	GENERAL TOLERANCES according to ISO 2768-mH									
Description:	Motor driver spacer	General Roughness:	12.5			Scale:	1:1				
		Unit:	mm								
Document ID:	-	Drawn:	ACE				Date:	2-12-2013			
		Approved:	-				Date:	-			
		Status:	-		Version:	1		Date:	2-12-2013		
		Drawing nr:	5KTA16.008								
Sheet:	1 of 1		Size:	A4							

1

2

3

4